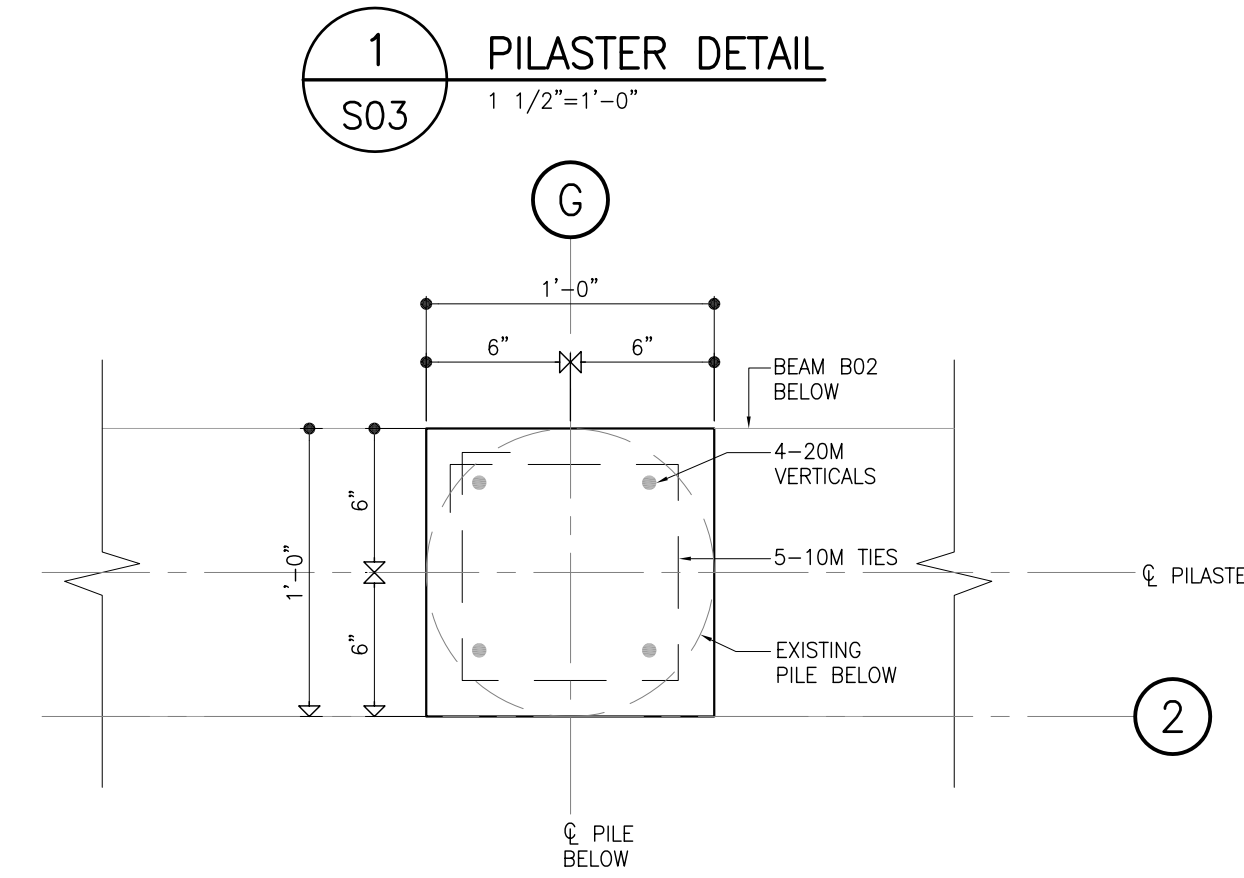
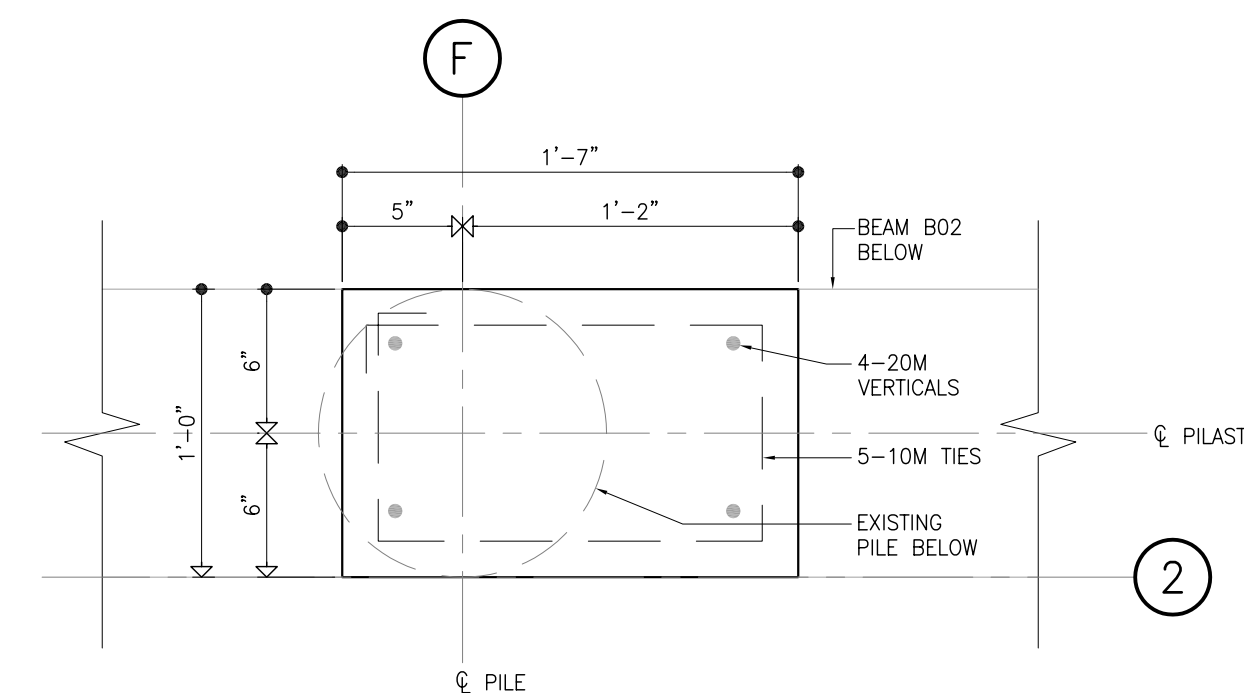


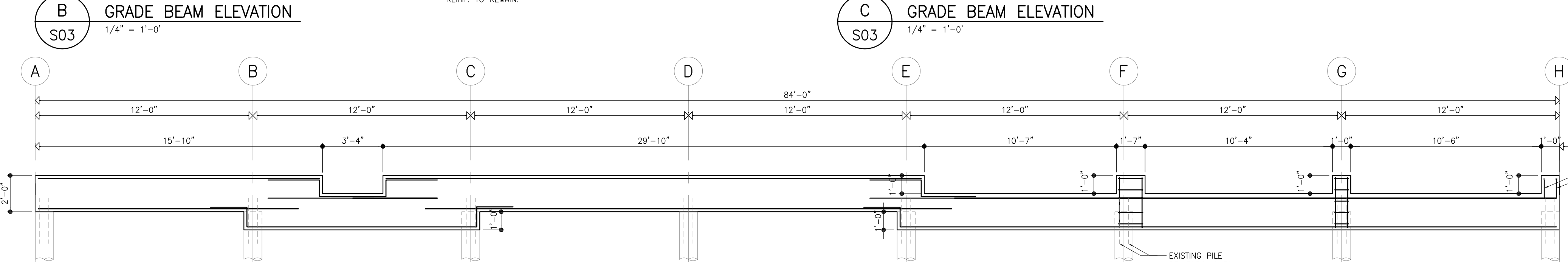
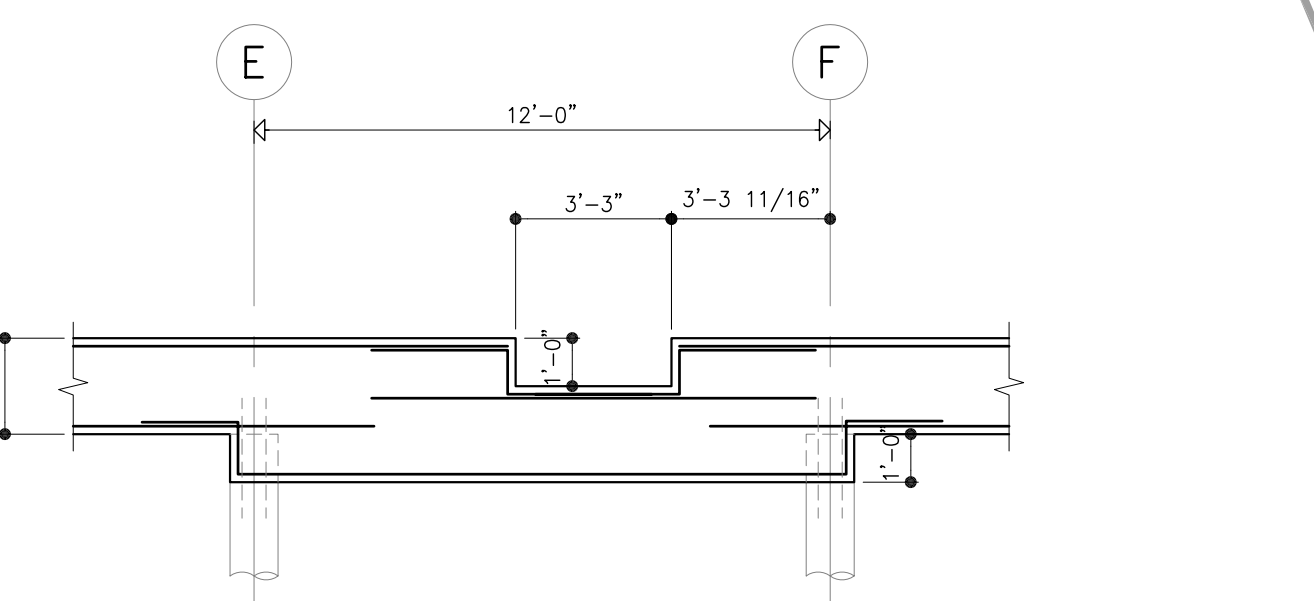
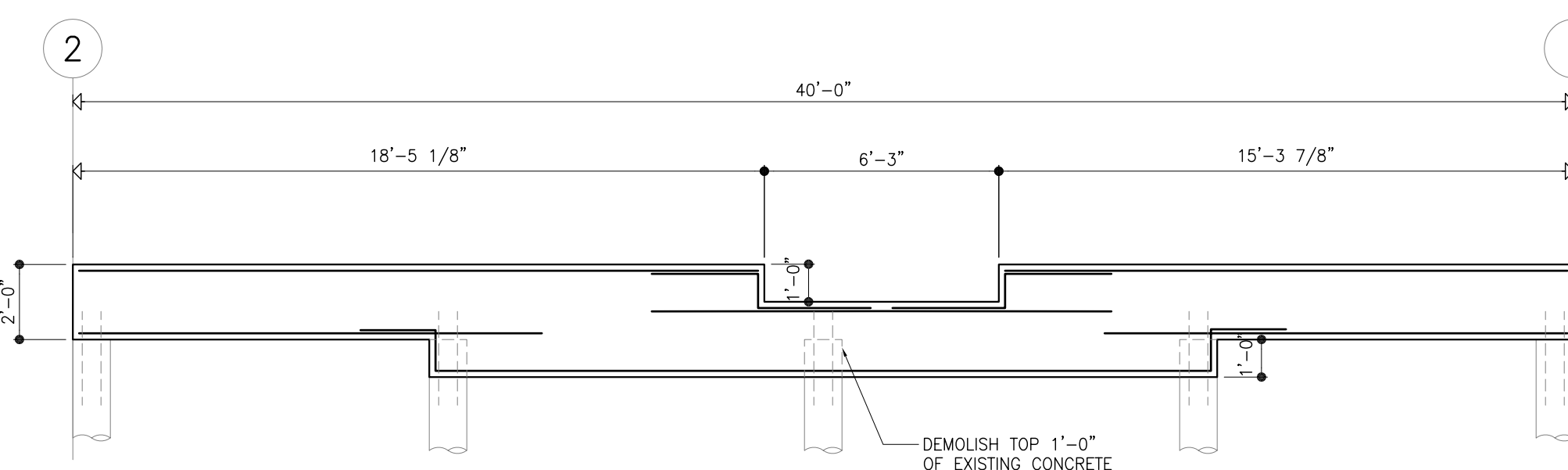
CONCRETE BEAM SCHEDULE:

MARK	DEPTH	REINFORCING	REMARKS
B01	12" x 24" DEEP	2-20M CONT. T&B 10M STIRRUPS @ 16" o/c	
B02	12" x 36" DEEP	2-20M CONT. T&B 10M STIRRUPS @ 16" o/c 2-10M CONT @ 7" FROM BOTTOM 2-10M CONT @ 15" FROM BOTTOM	

NOTE:



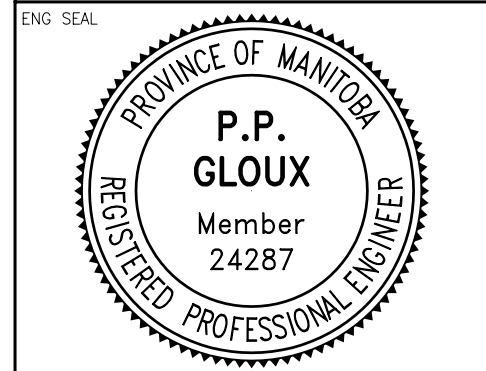
A STRUCTURAL RENOVATED NEW FLOOR AND FOUNDATION PLAN
S03
1/4" = 1'-0"



7				
6				
5				
4				
3				
2				
1	RE-ISSUED FOR TENDER	PG	PG	JAN 8 2008
0	ISSUED FOR TENDER	CVL	PG	NOV 29 2007
REV	DESCRIPTION	DWN	APP	REV DATE

Accutech Engineering Inc.
Tomorrow's Technology Today

605-287 Broadway, Winnipeg, Manitoba Canada R3C 0R9
Phone 204.944.1555 Fax 204.944.1444
www.accutech.ca



CITY OF WINNIPEG
ASSINIBOIA WEST COMMUNITY CENTER

PROJECT TITLE
**861 BUCHANAN BOULEVARD
STRUCTURAL REPAIRS
NEW FLOOR SLAB AND FOUNDATION PLAN**

DRAWN BY RK	CHECKED BY PG	DATE JAN 8 2008	SHEET NO. S03
DESIGNED BY PG	CHECKED BY PG	SCALE AS SHOWN	REVISION NO. 1

W:\Engineering Projects\1485 - City of Winnipeg\Manitoba West CC Structural Repairs Drawings\Re-issued for Tender Jan 8 2008\S03 NEW FLOOR SLAB AND FOUNDATION PLAN.dwg