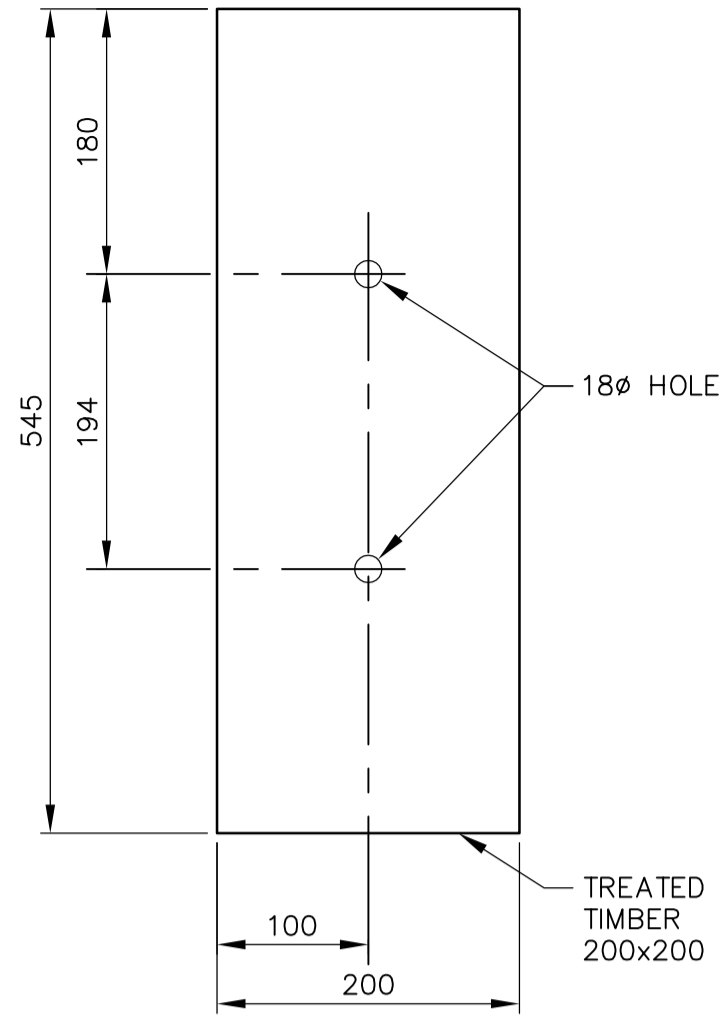


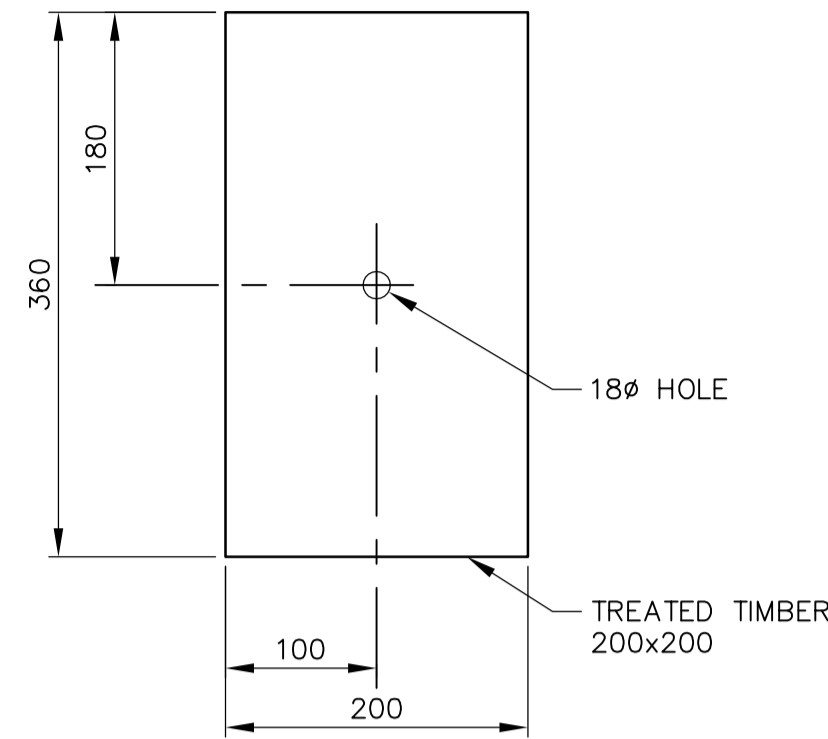
POST MK. TPDE07

POST MK. TPDE05

POST MK. TPDE02



BLOCK MK. TPDB02

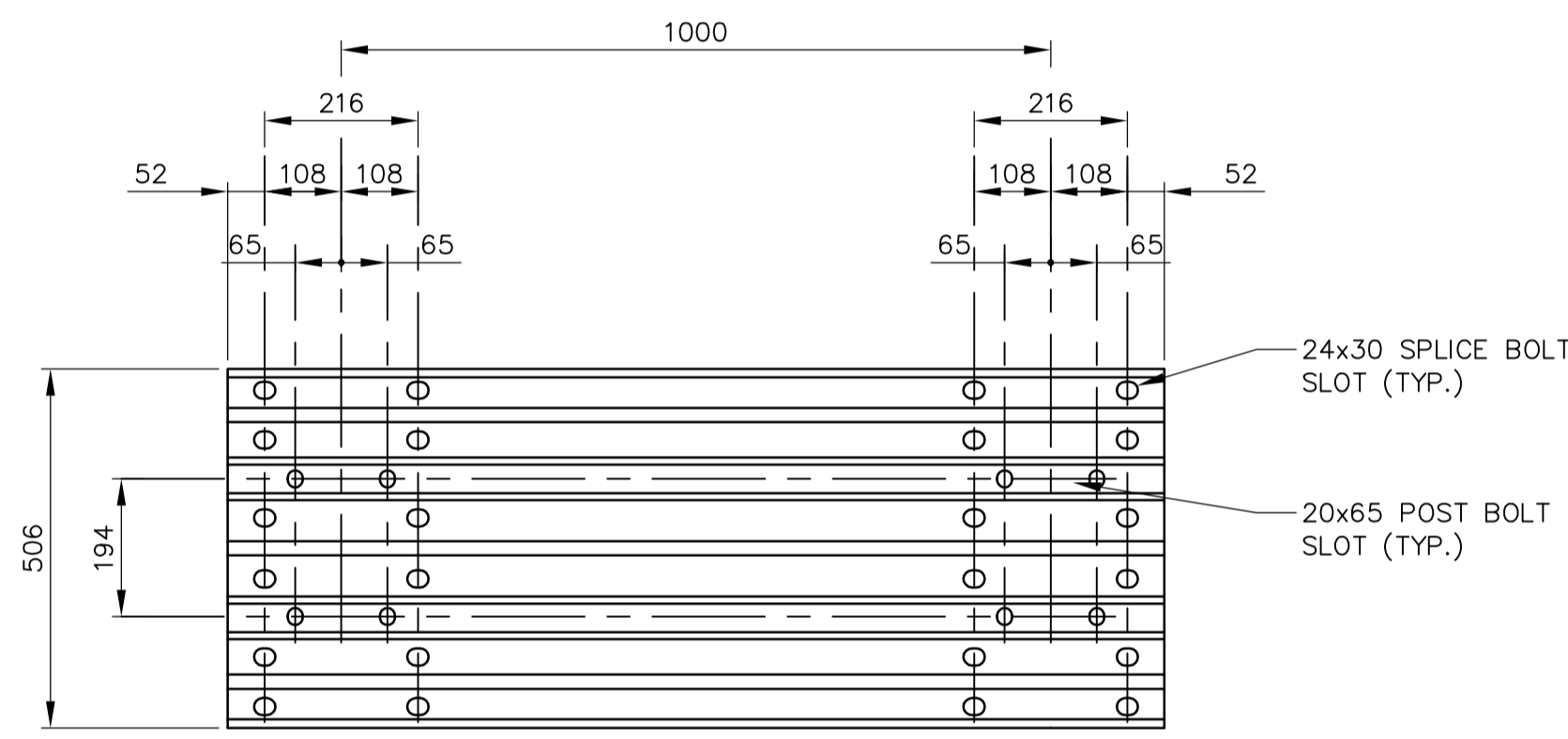


BLOCK MK. TPDB01

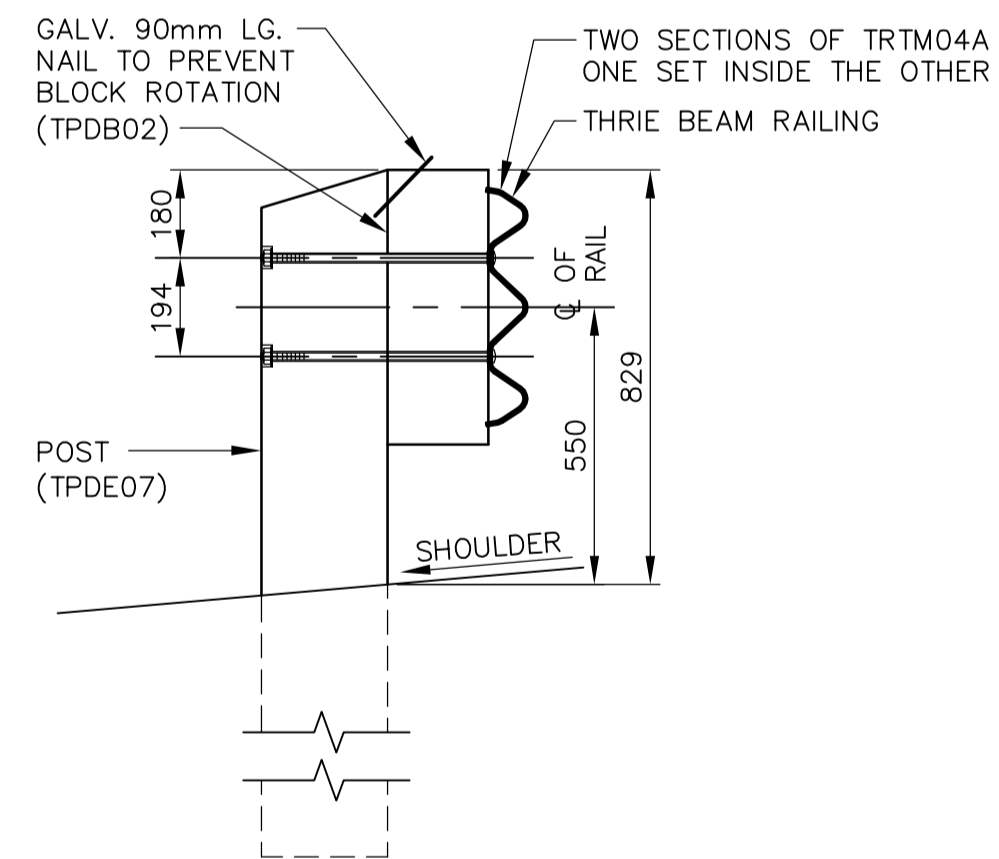
NOTE:  
4 BLOCK MK. TPDB02,  
HOLES TO SUIT TRANSITION  
SECTION

BILL OF TIMBER FOR APPROACH GUARDRAIL			
QTY.	PART No.	DESCRIPTION	REMARKS
12	TPDE02	TIMBER GUARDRAIL POST	STANDARD GUARDRAIL POST
4	TPDE05	TIMBER GUARDRAIL POST	
8	TPDE07	THRIE BEAM GUARDRAIL POST	
12	TPDB01	W BEAM TIMBER BLOCKOUT	
12	TPDB02	THRIE BEAM TIMBER BLOCKOUT	

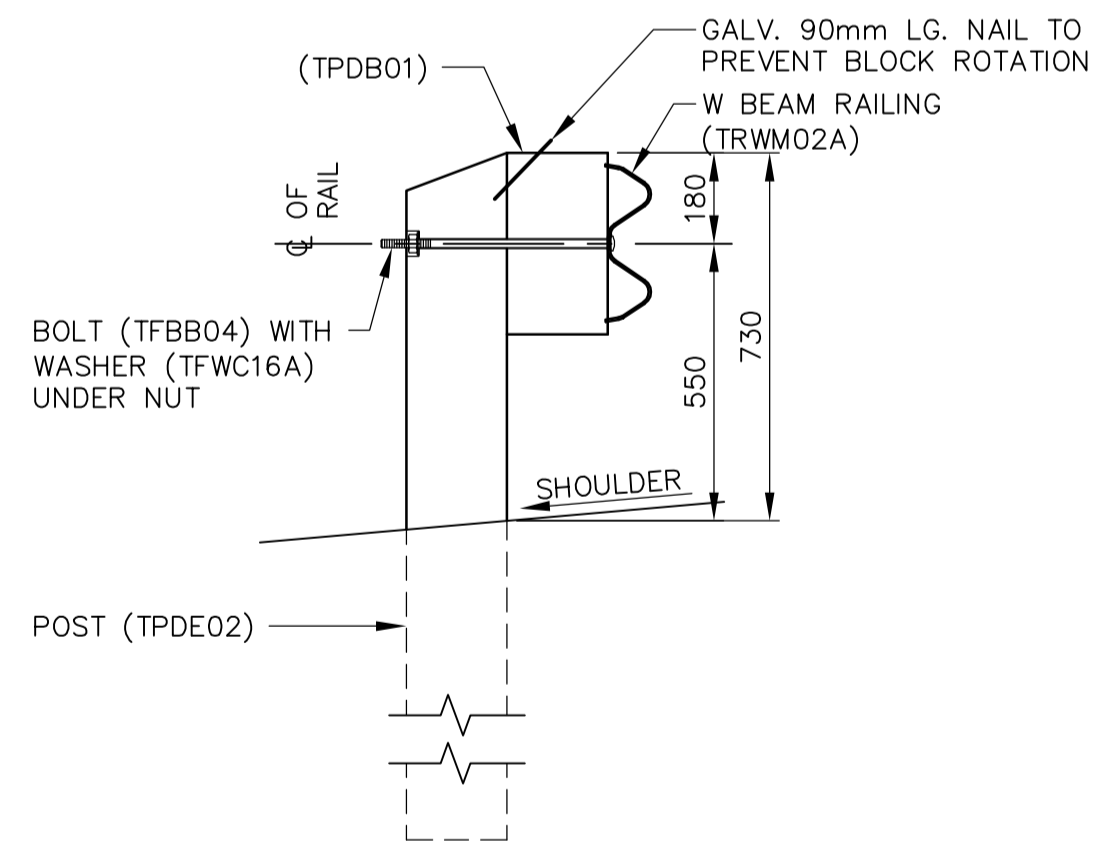
BILL OF GUARDRAIL AND HARDWARE FOR APPROACH & BRIDGE GUARDRAIL			
QTY.	PART No.	DESCRIPTION	REMARKS
72	TFBB03	GUARDRAIL BOLT (255 LG)	
20	TFBB04	GUARDRAIL BOLT 460 LG.	
16	TFBB05	GUARDRAIL BOLT (640 LG)	
200	TFBB01	GUARDRAIL SPLICE BOLT/NUT (ACCOMPANYING NUT)	AS REQUIRED
4	A	THRIE BEAM GUARDRAIL	
4	TRWT01a	TRANSITION BEAM GUARDRAIL	
4	TRTM04a	THRIE BEAM GUARDRAIL	4-SPACE THRIE BEAM GUARDRAIL
4	TRTM04a	(NESTED) THRIE BEAM GUARDRAIL	
4	TRWE01a	W BEAM END CONNECTOR	
4	TRWM02a	W BEAM	



THRIE BEAM GUARDRAIL MK. A  
SCALE 1:10



STANDARD THRIE BEAM  
SCALE NTS



STANDARD W-BEAM  
SCALE NTS

 Certificate of Authorization Earth Tech Canada Inc. No. 730	B.M. ELEV.	 Frederickson Cooper ARCHITECTS	 A Tice International Ltd. Company	ENGINEER'S SEAL	 THE CITY OF WINNIPEG WATER AND WASTE DEPARTMENT ENGINEERING DIVISION		
				DESIGNED BY AP/JC		CHECKED BY JC	ORIGINAL SIGNED BY J.N. CRANG
				DRAWN BY KC		APPROVED BY DT	07/11/09
				SCALE: AS NOTED		RELEASED FOR CONSTRUCTION BY: R. SOROKOWSKI	CONSULTANT DRAWING NO. WN-S0477
	00 ISSUED FOR TENDER 07/11/09 PAAP	DATE 07/02/14	DATE 07/11/09		WATER TREATMENT PLANT CONSTRUCTION OF ROADS AND LANDSCAPING	CITY FILE NUMBER	
	NO. REVISIONS				STRUCTURAL WESTERN BRIDGE APPROACH GUARDRAIL DETAILS	SHEET OF	
						CITY DRAWING NUMBER	
						I-0601N-A-S0477-001-00D	