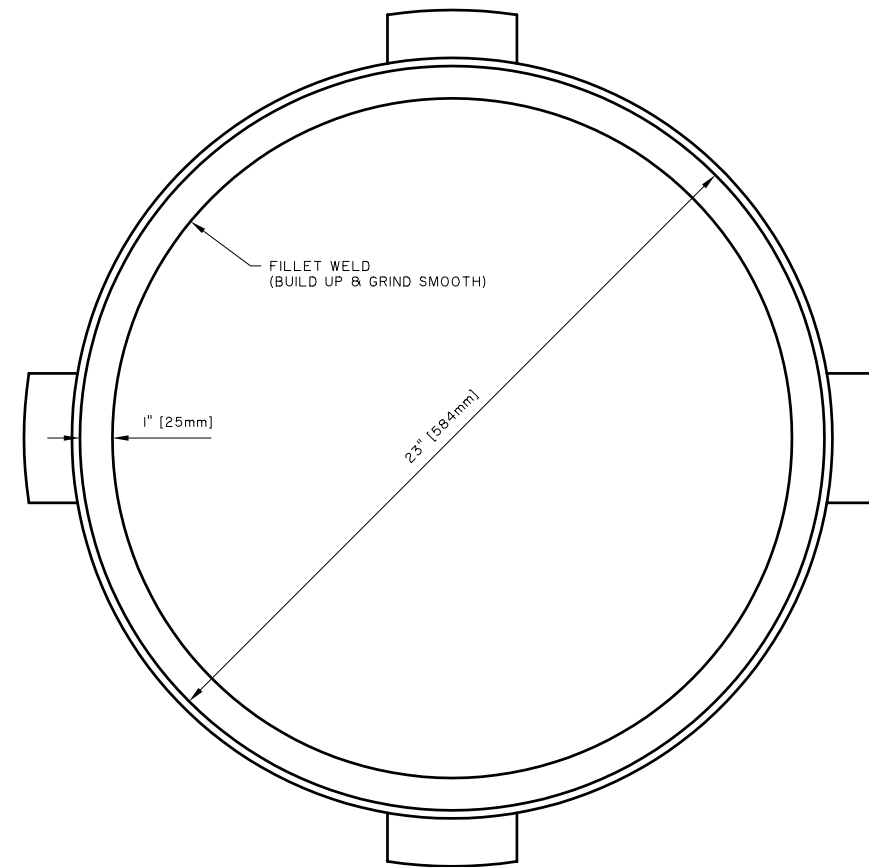
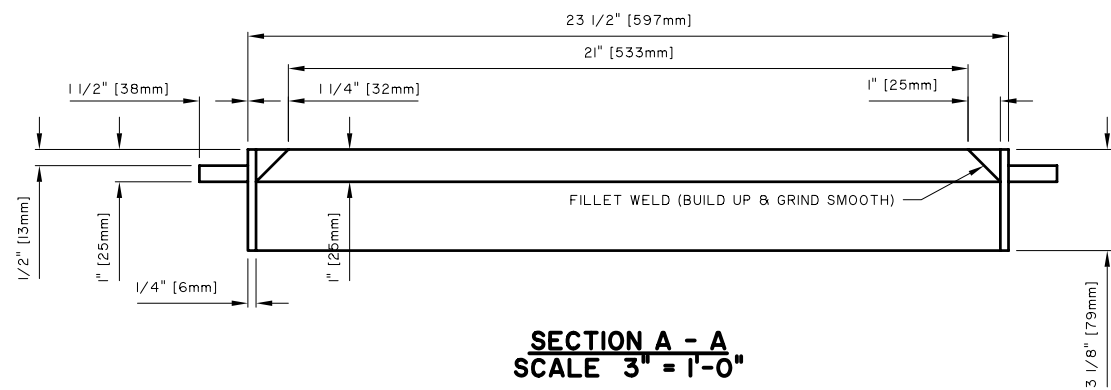


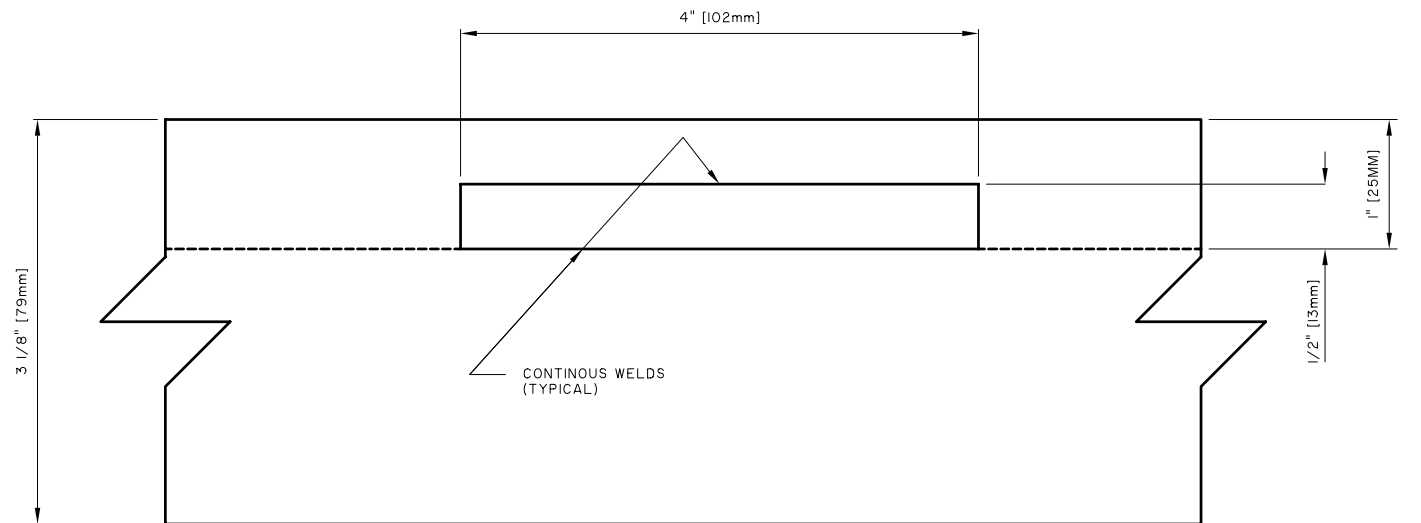
PLAN VIEW
SCALE 3" = 1'-0"



BOTTOM VIEW
SCALE 3" = 1'-0"



SECTION A - A
SCALE 3" = 1'-0"



SECTION B - B
SCALE 1" = 1"


NOTES:

1. TOP RING FORM REQUIRED FOR ST-II5 BASE INSTALLATIONS.
2. RING = 1/4" THICK STEEL, HANDLES = 1/2" STEEL.
3. ALL WELDS ON TOP & BOTTOM SURFACES SHALL BE CONTINUOUS AND GROUND SMOOTH.
4. IMPERIAL ARE IN WHOLE NUMBERS AND METRIC NUMBERS ARE IN BRACKETS.
5. TOP RING FORM TO BE SUPPLIED BY CONTRACTOR.
6. COPIES OF ORIGINAL DRAWINGS AVAILABLE FROM TRAFFIC SIGNALS.

NO.	REVISIONS	DATE	BY

REFERENCE SPEC. NO.	
CW 3620	
DESIGNED BY	CHECKED BY
DRAWN BY lwb	SCALE AS NOTED
APPROVED BY	
----- DATE	

ENGINEER'S SEAL



THE CITY OF WINNIPEG
PUBLIC WORKS DEPARTMENT
TRANSPORTATION DIVISION

TOP RING FORM
FOR MEDIUM DUTY
DAVIT POLE BASE

SHEET OF

CAD FILE DRAWING NUMBER

CITY DRAWING NUMBER

ST - 121