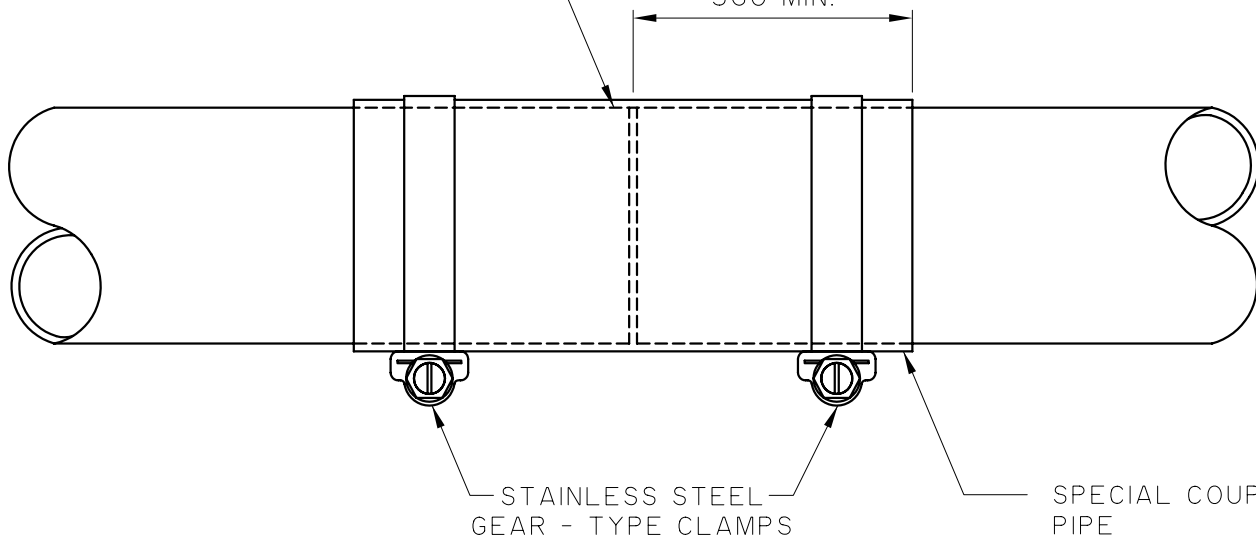


38 mm I.D. PLASTIC PIPE  
TO BE CUT AT 90°

360 MIN.



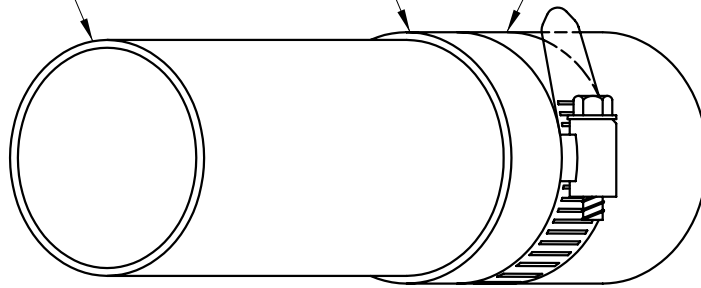
STAINLESS STEEL  
GEAR - TYPE CLAMPS

SPECIAL COUPLING  
PIPE

SPECIAL COUPLING PIPE

PLASTIC PIPE  
38 mm I.D.

STAINLESS STEEL  
CLEAR - TYPE CLAMPS



DIMENSIONS IN MILLIMETRES



**THE CITY OF WINNIPEG**  
**PUBLIC WORKS DEPARTMENT**  
**TRANSPORTATION DIVISION**

Reference Spec. No.  
CW 3620

Revisions

No.	Date	Description	By

JOINT FOR 38 mm  
POLYETHYLENE DUCT

Designed By:  
C.K.

Drawn By:  
A.R.

Scale :  
**N.T.S.**

Checked By:

Date:  
95 - 03 - 09

Drawing No.

Approved:

**ST-48**