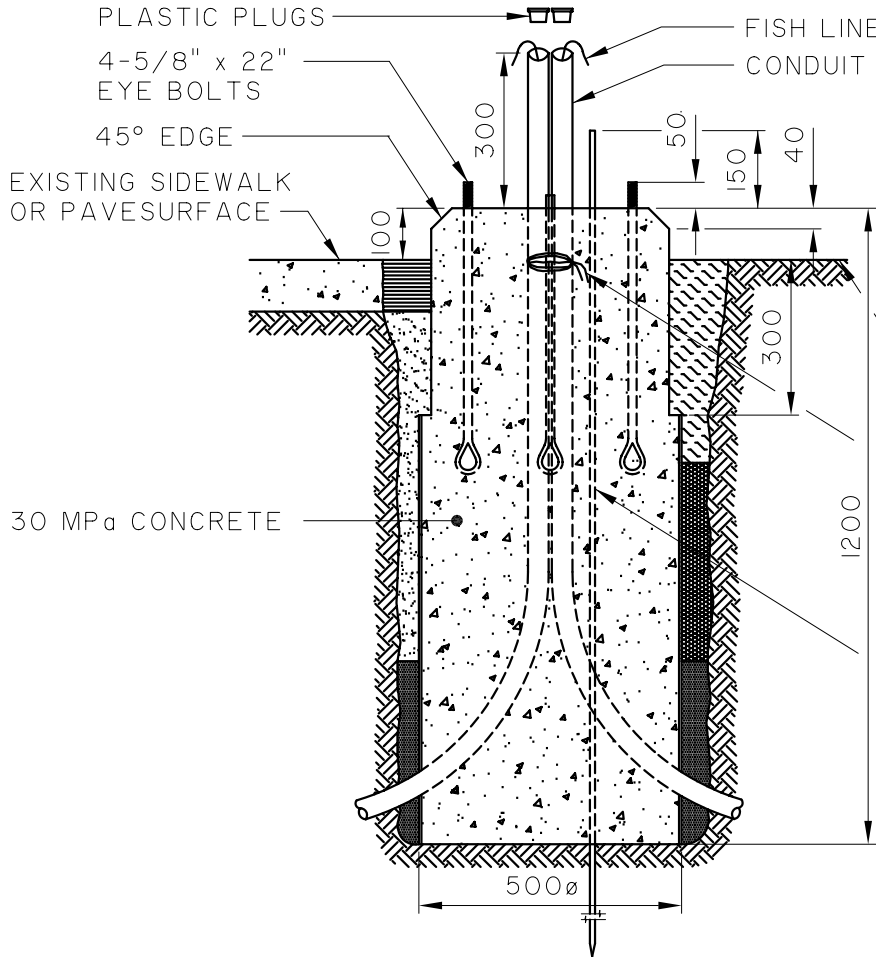


PLAN



SECTION A-A

NOTES:

1. 500 mm \varnothing forming tubes, metal square top form (supplied by the contractor) and anchor bolt template shall be used.(Drawing ST-II9)
2. Threaded portion of anchor eyebolts shall be coated with oil prior to concrete pour.
3. All conduits shall be bundled into a group in centre of base, and tied together below the top of the base prior to concrete pour.
4. Terminate conduits a minimum of 300 mm above base.
5. Install ground rod in every base.
6. Contractor shall remove plywood top forms, and salvage nuts and anchor eyebolt template following a minimum 24 hour concrete curing period.
7. Backfill shall conform to requirements of drawings No. ST-101, "standard beddings and backfills for Underground Traffic Signals Works".

DIMENSIONS IN MILLIMETRES
(Unless otherwise noted)



THE CITY OF WINNIPEG
PUBLIC WORKS DEPARTMENT
TRANSPORTATION DIVISION

Reference Spec. No.
CW 3620-R5

**CONCRETE BASE FOR
TERMINAL PEDESTAL**

Revisions

No.	Date	Description	By

Designed By: C.K.	Drawn By: A.R.	Scale : N.T.S.
Checked By:	Date: 95 - 03 - 01	Drawing No. ST-58
Approved:		