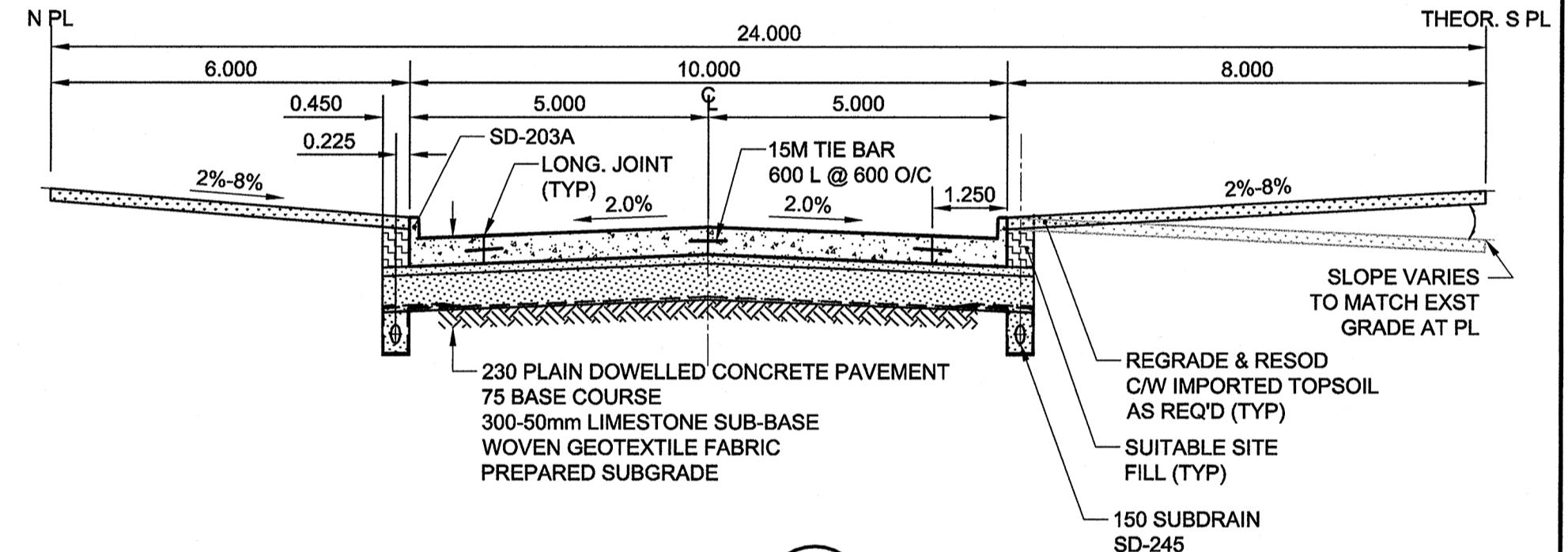
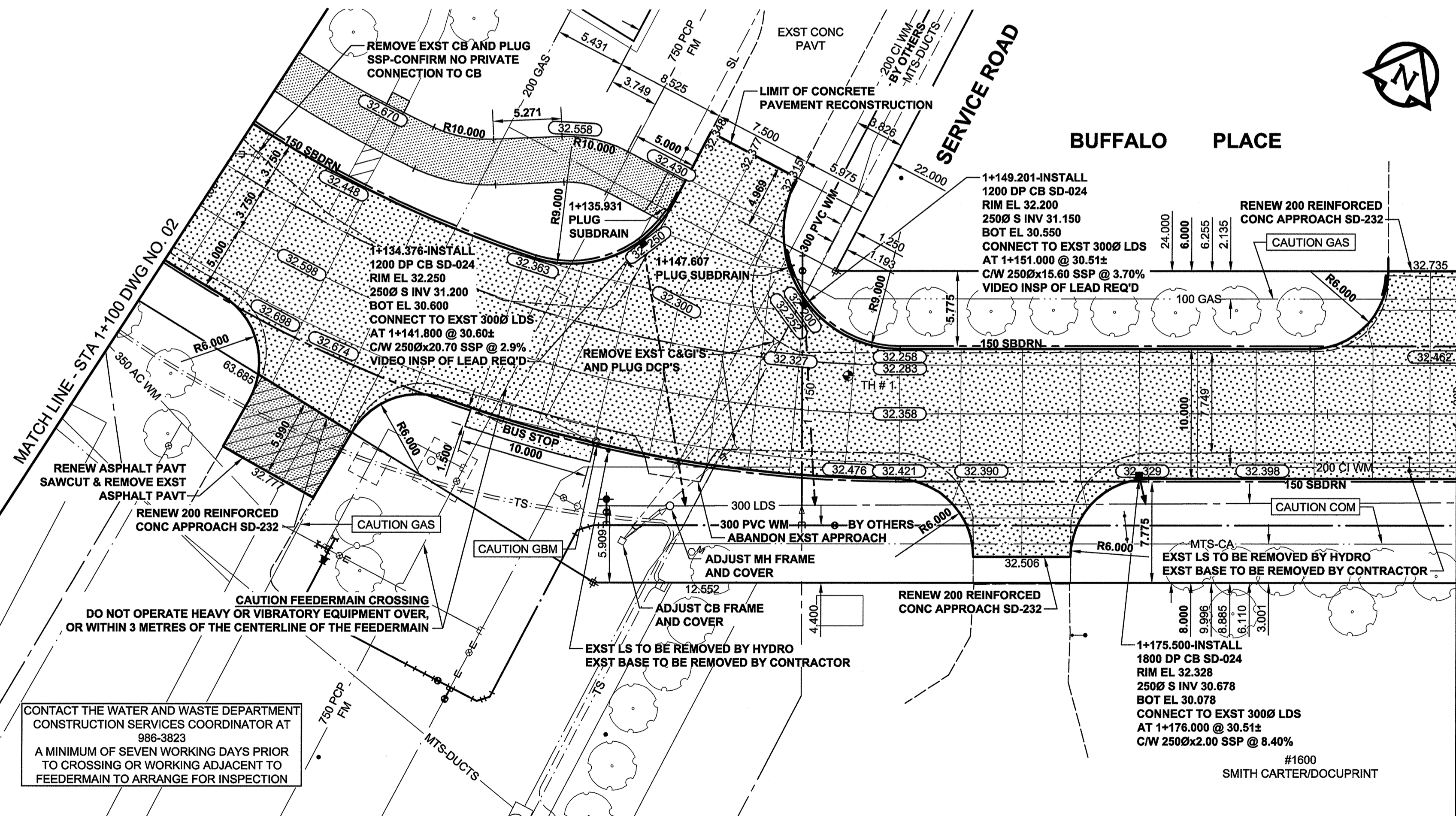


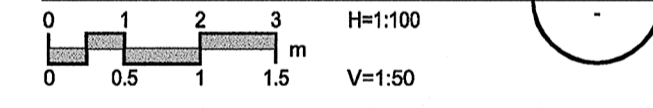
CHAINAGE ALONG CENTERLINE OF R.O.W.

PAVEMENT PROFILE

VERTICAL SCALE 1:10



TYPICAL SECTION



INDUSTRIAL LOCAL STREET PAVEMENT RECONSTRUCTION SECTION

- NOTES**
- ADJUST MH AND CB RIMS TO NEW GRADES.
 - EXISTING 2000 WATERMAIN RENEWAL INSTALLATION OF 3000 WATERMAIN AND ASSOCIATED WATERMAIN HYDRANTS, VALVES AND APPURTENANCES, (DESIGNED AND CONSTRUCTED BY OTHERS), SHOWN IN APPROXIMATE LOCATIONS FOR REFERENCE PURPOSES ONLY. SEE BID OPPORTUNITY 331-2008-2008 WATERMAIN RENEWALS-CONTRACT 6, BUFFALO PLACE FROM WAVERLEY STREET TO OTTER STREET FOR COMPLETE WATERMAIN INSTALLATION INFORMATION.
 - LIGHT STANDARDS, HYDRO POLES, AND ANCHORS MAY REQUIRE TEMPORARY SUPPORT/REMOVAL OR REPLACEMENT AT THE EXPENSE OF THE CONTRACTOR. LIGHT STANDARD BASES TO BE PERMANENTLY REMOVED FROM SITE BY CONTRACTOR AT LOCATIONS INDICATED.
 - CONTRACTOR SHALL TAKE PRECAUTIONARY STEPS TO PROTECT EXISTING BOULEVARD TREES FROM DAMAGE FROM CONSTRUCTION ACTIVITIES WITHIN THE LIMITS OF CONSTRUCTION AS OUTLINED IN THE SPECIFICATIONS.
 - CONTRACTOR TO REGRADE/RENEW EXIST. PRIVATE SIDEWALKS TO LIMITS AS SHOWN. SIDEWALKS TO BE RENEWED WITH CONCRETE UNLESS NOTED OTHERWISE.
 - ADD 200.000m TO ABBREVIATED ELEVATIONS TO OBTAIN GEODETIC ELEVATIONS.
 - CATCH BASINS SD-024 C/W AP-008 & AP-009.
 - CONTRACTOR IS RESPONSIBLE FOR EXPOSING FEEDERMAIN BY HYDRO VACUUM OR OTHER SOFT DIG METHOD TO CONFIRM DEPTH AND ALIGNMENT OF PIPE AT NO COST TO THE PROJECT.

APECM
 Certificate of Authorization
 UMA Engineering Ltd. (MB)
 No. 256 Date: April 25/08

METRIC
WHOLE NUMBERS INDICATE MILLIMETRES
DECIMALIZED NUMBERS INDICATE METRES

BID OPPORTUNITY NO. 159-2008

—	GAS	○	MANHOLE	●	CONCRETE PAVEMENT	—	NEW
—	COMMUNICATION	□	CATCH BASIN / CATCH PIT	■	ASPHALT PAVEMENT	—	NEW
—	HYDRO	△	CURB INLET WITH BOX	▲	CONC. SIDEWALK/MEDIAN	—	NEW
—	CATV/FO	○	TREE	●	PAVING STONE	—	NEW
—	TRAFFIC SIGNALS/PIT	⊕	TEST HOLE	⊙	GRAVEL	—	NEW
—	LAND DRAINAGE SEWER	—	PROPERTY LINE	—	RAMP CURB	—	NEW
—	SANITARY/COMBINED SEWER	—	SURVEY BAR	—	PAVT PLANING/REMOVAL	—	NEW
—	SSP/DCP	—	FENCE	—			
—	WATERMAIN	—	BOC/EOPAVT	—			
—	SUBDRAIN	—	ELEVATION	—			
—	DITCH	—	TRAFFIC SIGN	—			
—	EXISTING	—	LEGEND - PLAN	—	EXISTING	—	NEW

LOCATION APPROVED
 UNDERGROUND STRUCTURES
 APR 24/08
 SUPR. UTS STRUCTURES COMMITTEE

NOTE:
 LOCATION OF UNDERGROUND STRUCTURES AS SHOWN ARE BASED ON THE BEST INFORMATION AVAILABLE. BUT NO GUARANTEE IS GIVEN THAT ALL EXISTING UTILITIES ARE SHOWN OR THAT THE GIVEN LOCATIONS ARE EXACT. CONFIRMATION OF EXISTENCE AND EXACT LOCATION OF ALL SERVICES MUST BE OBTAINED FROM THE INDIVIDUAL UTILITIES BEFORE PROCEEDING WITH CONSTRUCTION.

BM 65-008 ELEV 232.295m			
DESIGNED BY	RPB	CHECKED BY	JGK
DRAWN BY	DID	APPROVED BY	BWB
HOR. SCALE	1:250	RELEASED FOR CONSTRUCTION	
VERT. SCALE	1:10	DATE	08/04/25
NO. ISSUED FOR CONSTRUCTION	08/04/25	BY	DID
NO. REVISIONS	YYMMDD	DATE	08/04/25

UMA | AECOM

© 2008 UMA ENGINEERING LTD. ALL RIGHTS RESERVED.

DESIGNED BY RPB CHECKED BY JGK
 DRAWN BY DID APPROVED BY BWB

HOR. SCALE 1:250
 VERT. SCALE 1:10

RELEASED FOR CONSTRUCTION
 DATE: APR 24/08

PROFESSIONAL'S SEAL
 PROVINCE OF MANITOBA
 R. P. BRUCE
 REGISTERED PROFESSIONAL ENGINEER

CONSULTANT DRAWING NO.
 0265-403-00_01-CT1003_RX.dwg

THE CITY OF WINNIPEG
 PUBLIC WORKS DEPARTMENT
 TRANSPORTATION ENGINEERING DIVISION

BUFFALO PLACE
 WAVERLEY STREET TO OTTER STREET
 STREET RECONSTRUCTION
 HORIZONTAL AND VERTICAL ALIGNMENT
 FROM STA 1+100 TO STA 1+200

CITY DRAWING NUMBER N/A
 SHEET 3 OF 8
 DRAWING No. 03 REV 0