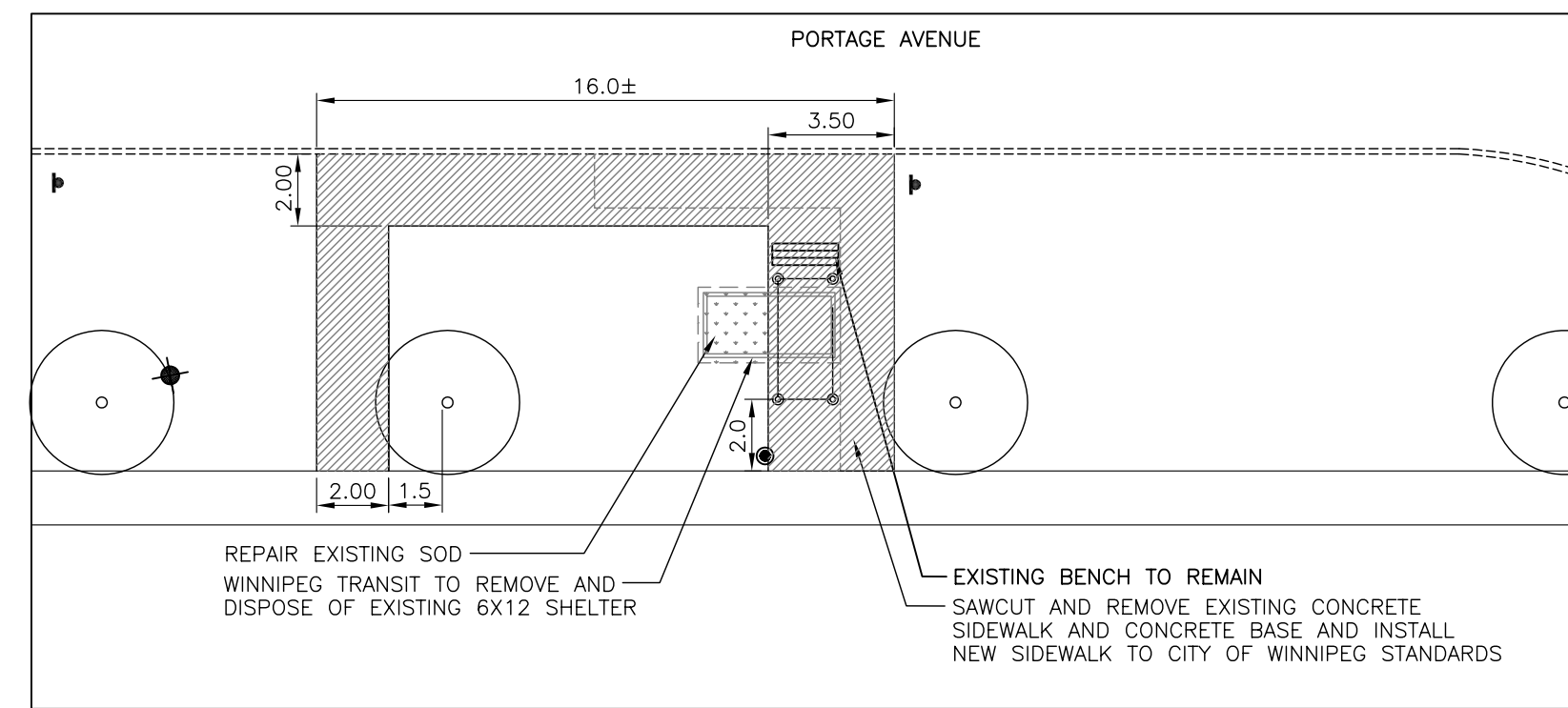
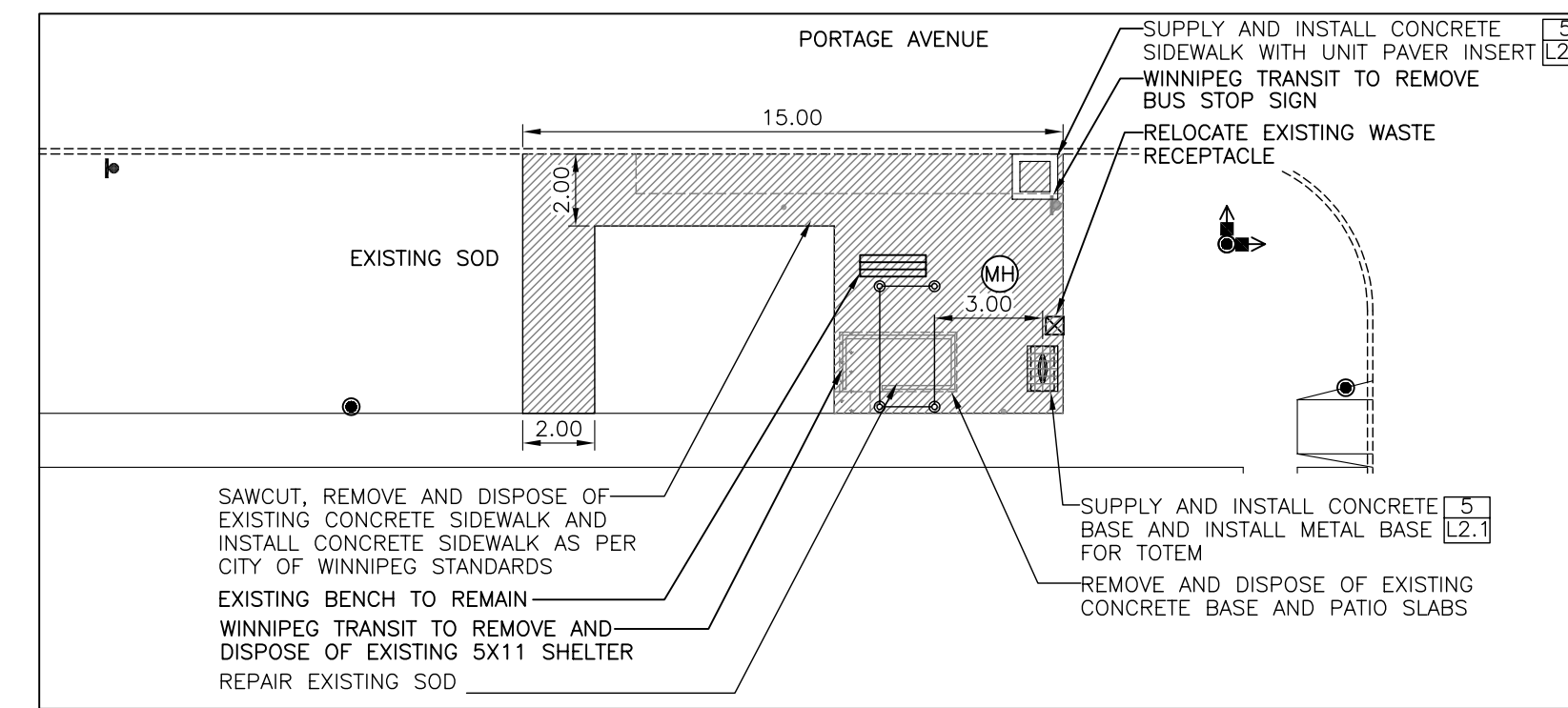


Eastbound Portage, F/S St Charles
Stop 20248 Charles

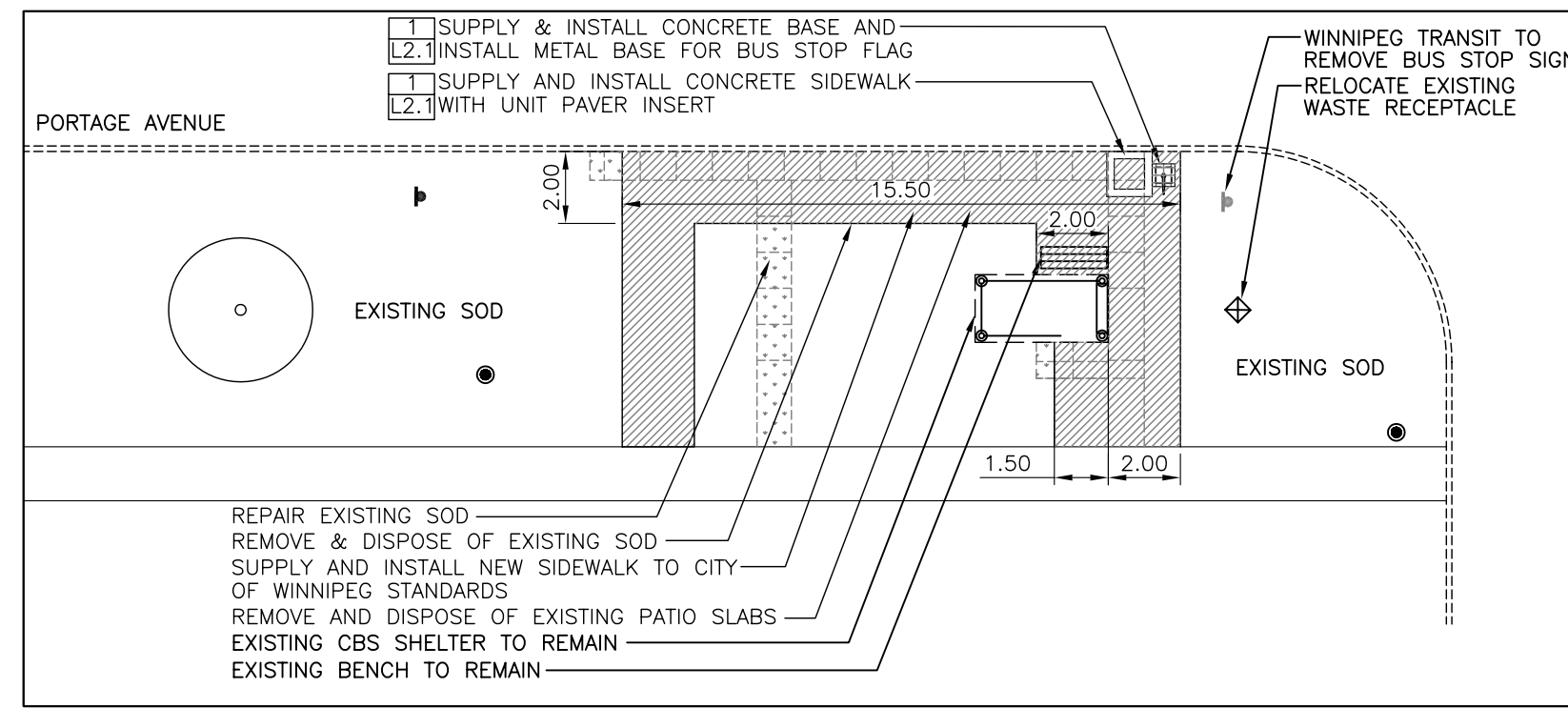


Eastbound Portage, N/S Opp David
Stop 20251 David

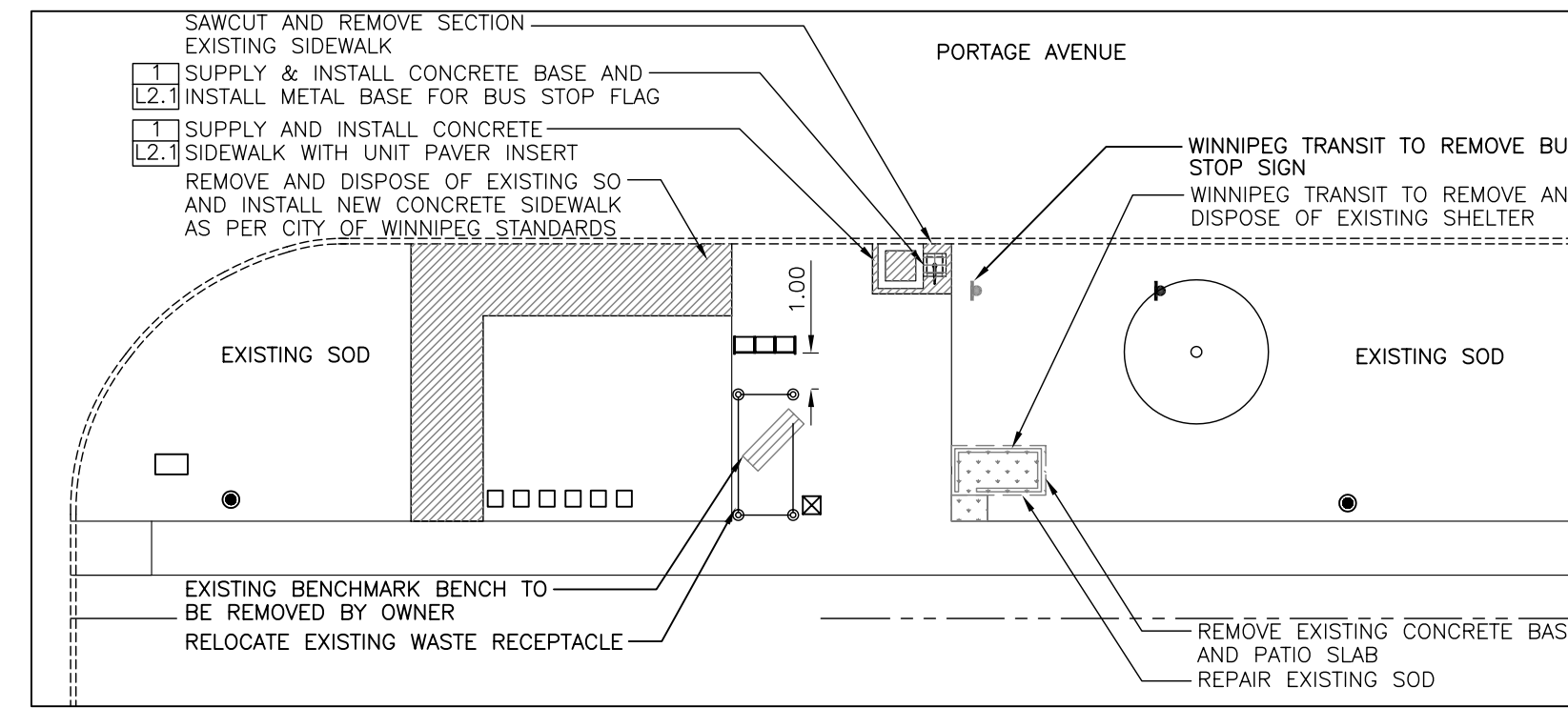


Eastbound Portage, N/S Bedson
Stop 20252 Bedson

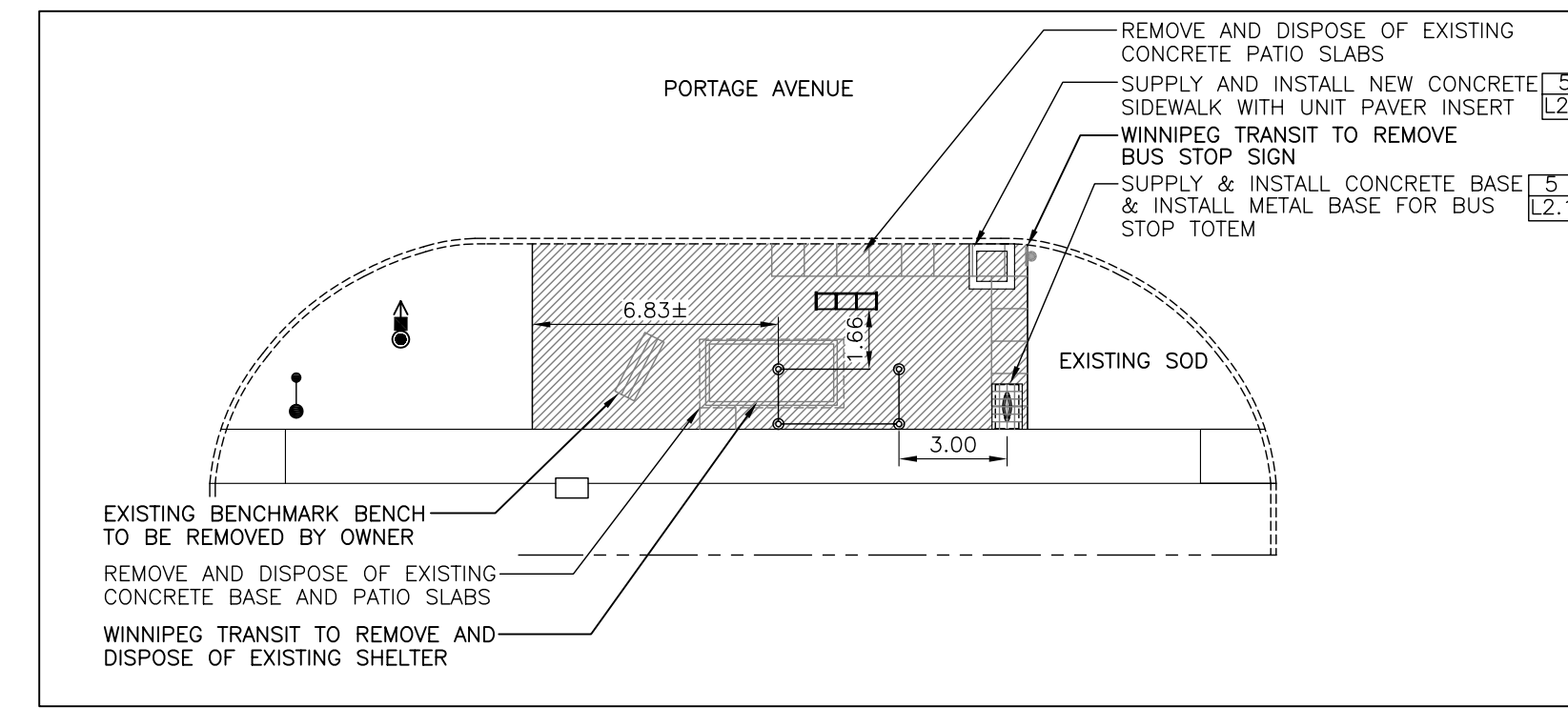
- LEGEND**
- EXISTING**
- PROPERTY LINE
 - - - - - EXISTING CURB
 - EXISTING COBRA LIGHT POLE
 - EXISTING HYDRANT
 - BENCH TO BE REMOVED
 - MTS PHONE BOOTH
 - WASTE RECEPTACLE
 - EXISTING TREE TO REMAIN
 - - - - - EXISTING SIDEWALK TO BE REMOVED
 - ▲ EXISTING SIGN TO BE REMOVED
 - ▲ EXISTING TRAFFIC SIGNAL
 - EXISTING MAN HOLE
- PROPOSED**
- HOLLAND PAVERS
 - ▨ PINNED CONCRETE CURB / CURB RENEWAL
 - ▨ CONCRETE SIDEWALK
 - ▨ SOD
 - ▲ ILLUMINATED TRANSIT SIGN
 - BUS STOP TOTEM
 - BUS STOP FLAG
 - TRANSIT INFORMATION POSTER KIOSK (TIP KIOSK)
 - BENCH WITH BACK
 - BACKLESS BENCH



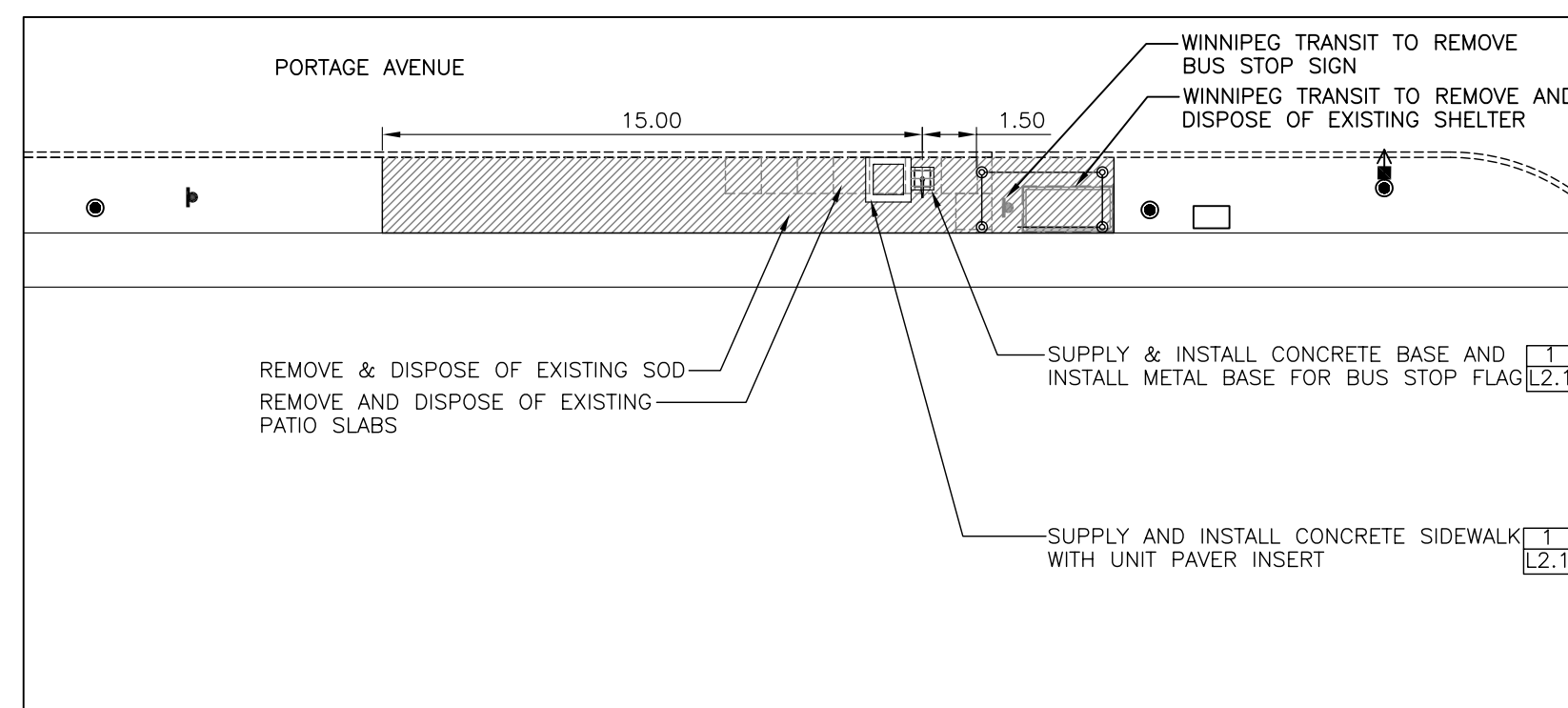
Eastbound Portage, N/S Rouge
Stop 20254 Rouge



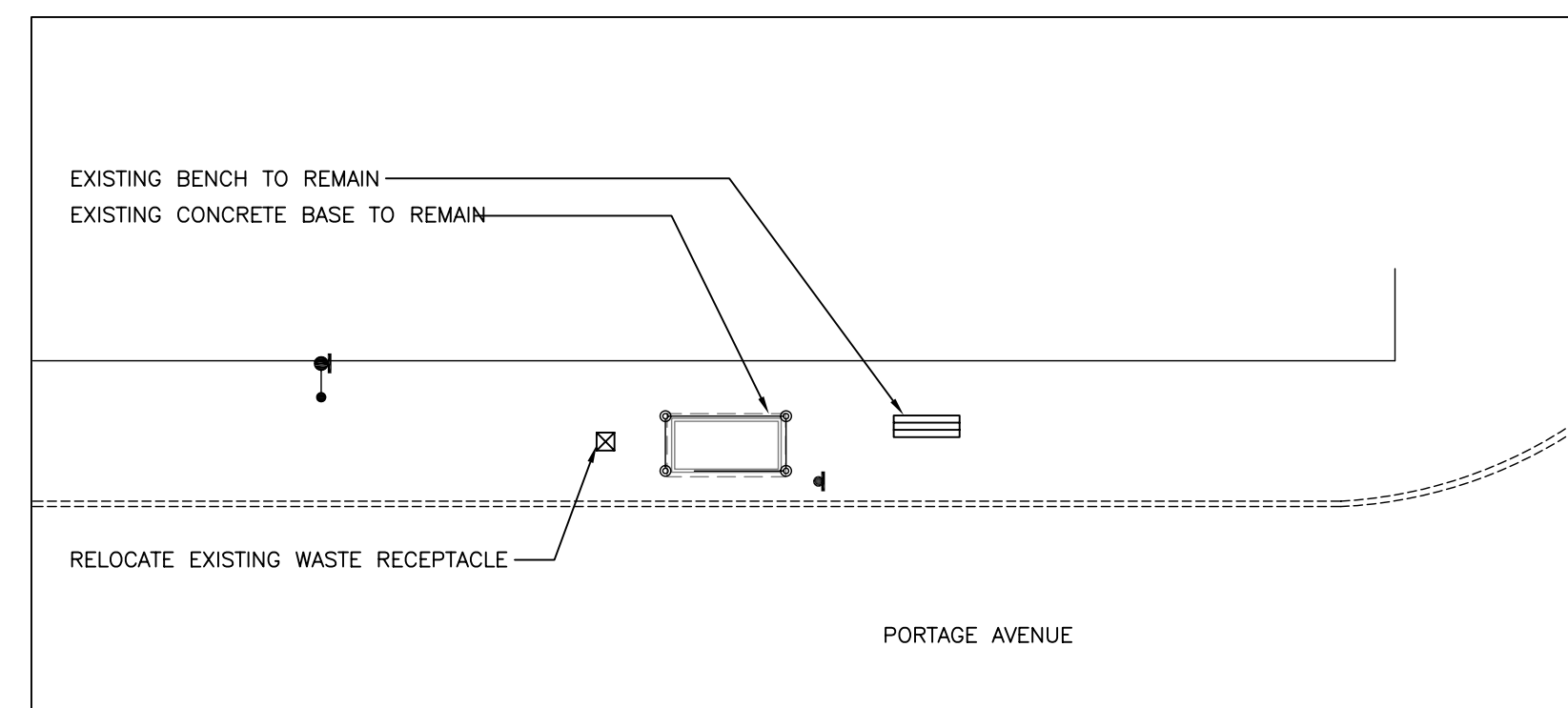
Eastbound Portage, F/S Opp Parkdale
Stop 20256 Parkdale



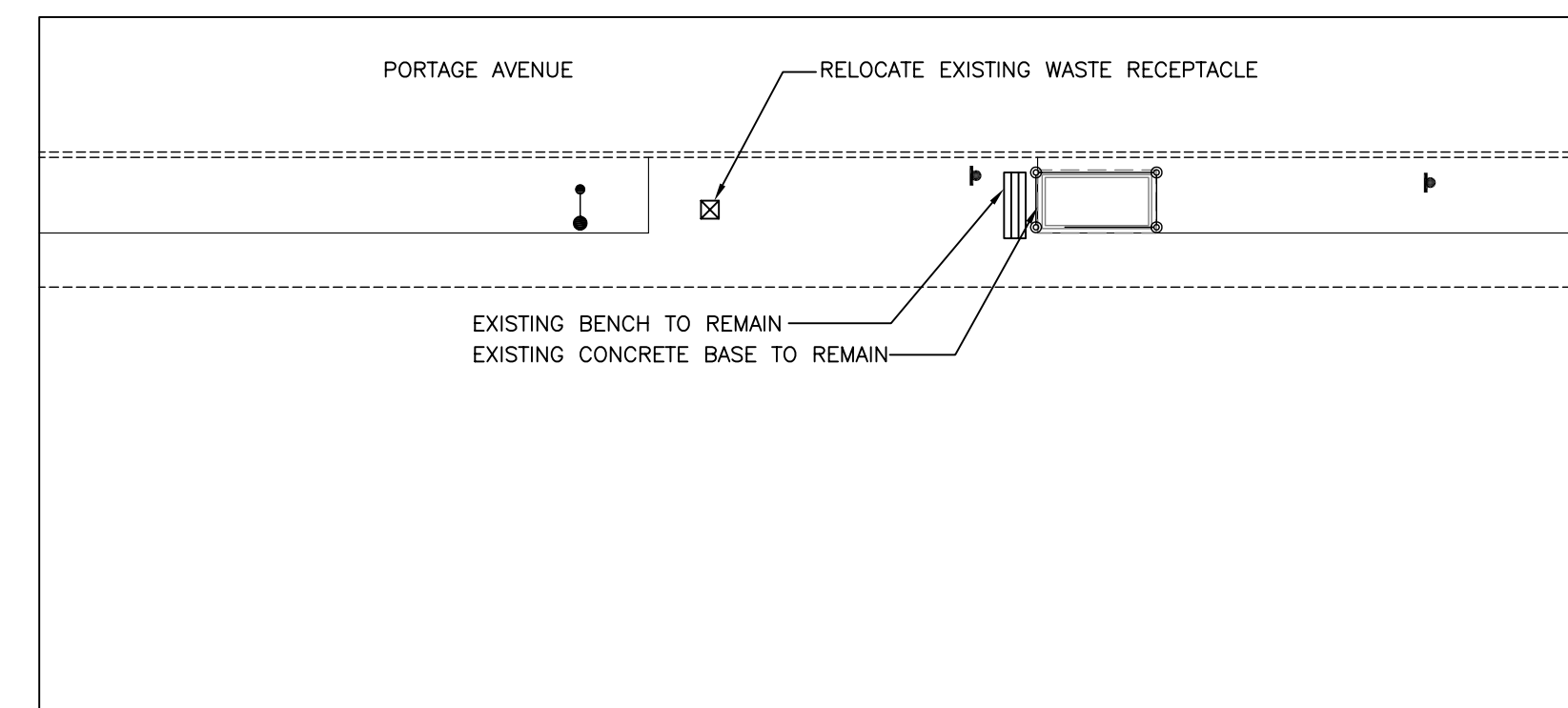
Eastbound Portage, F/S Westwood
Stop 20239 Westwood



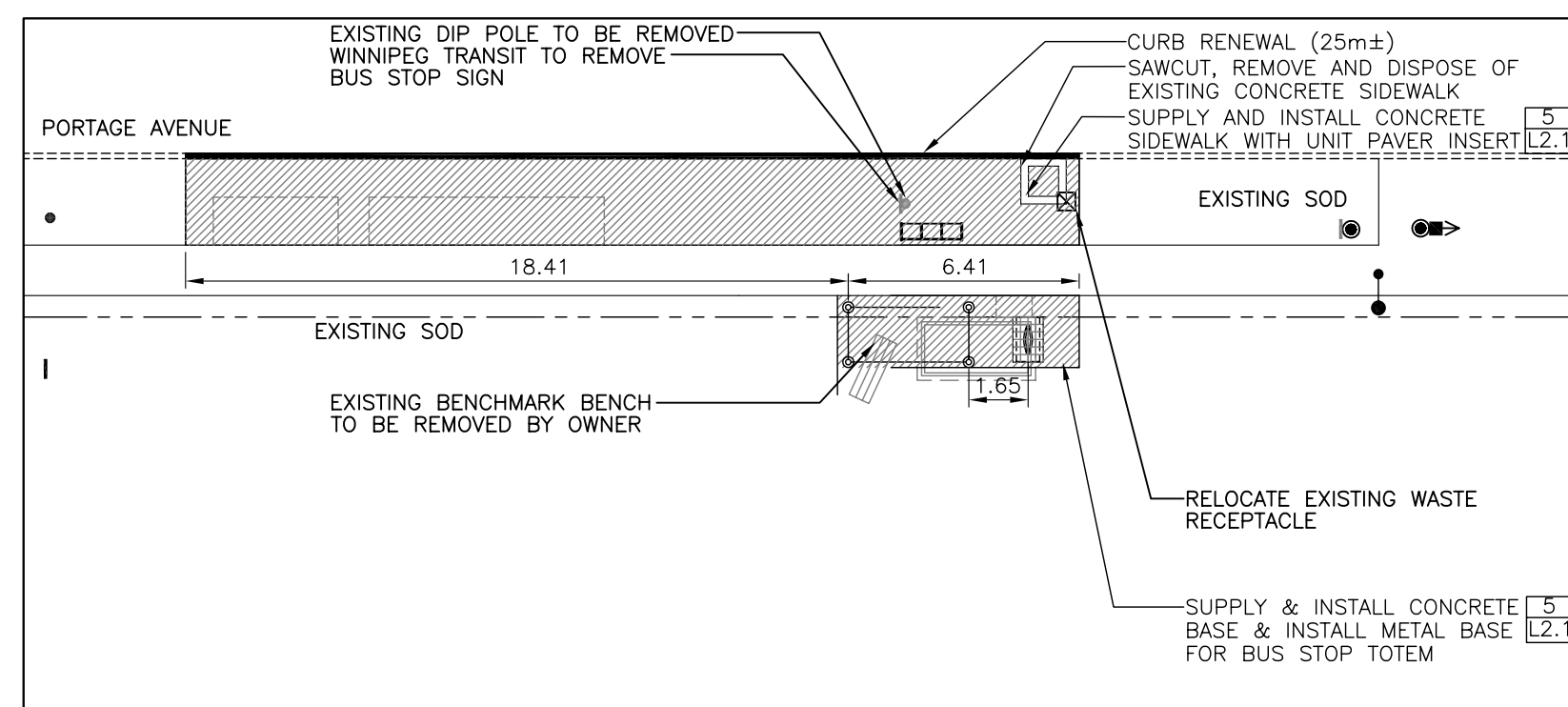
Eastbound Portage, N/S Country Club
Stop 20260 Country Club



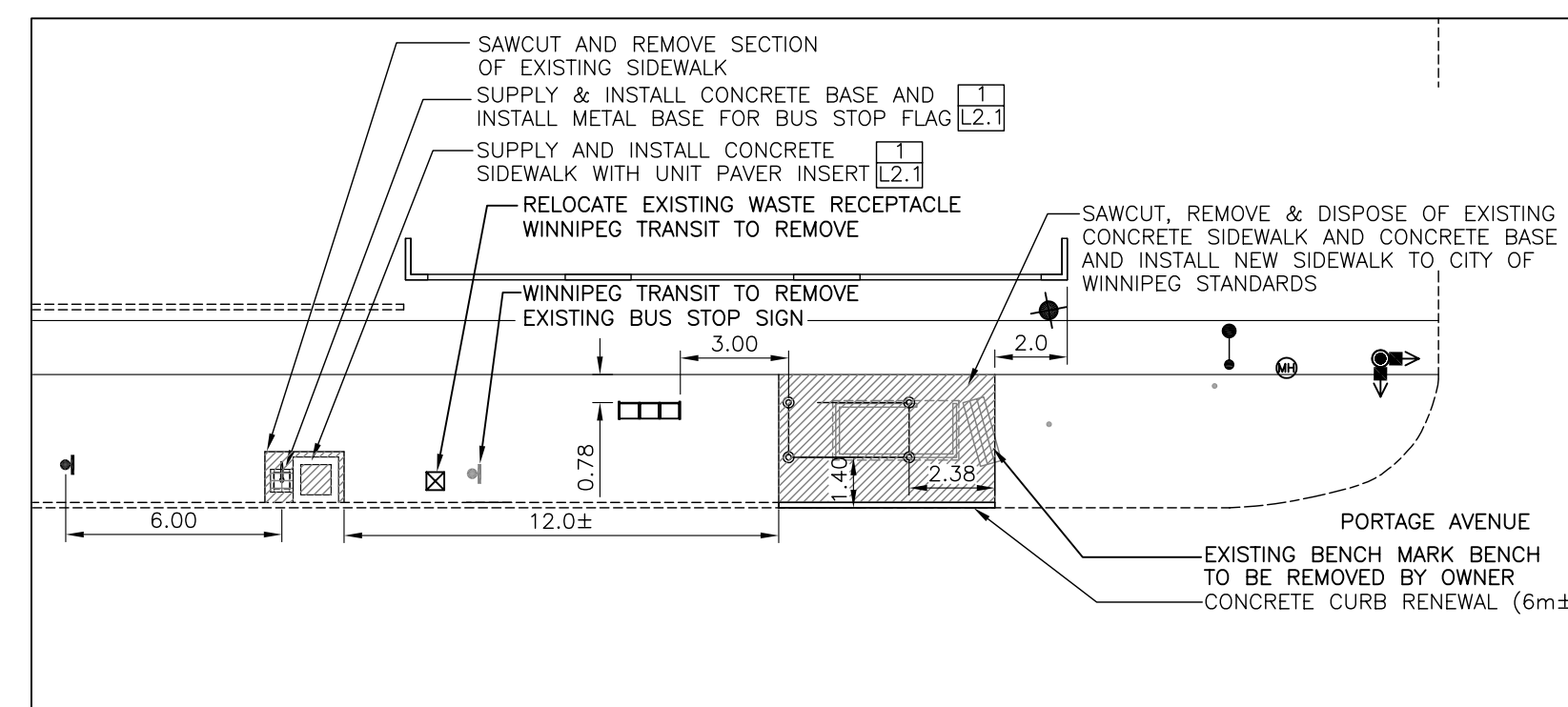
Westbound Portage, F/S Opp Country Club
Stop 20231 Country Club



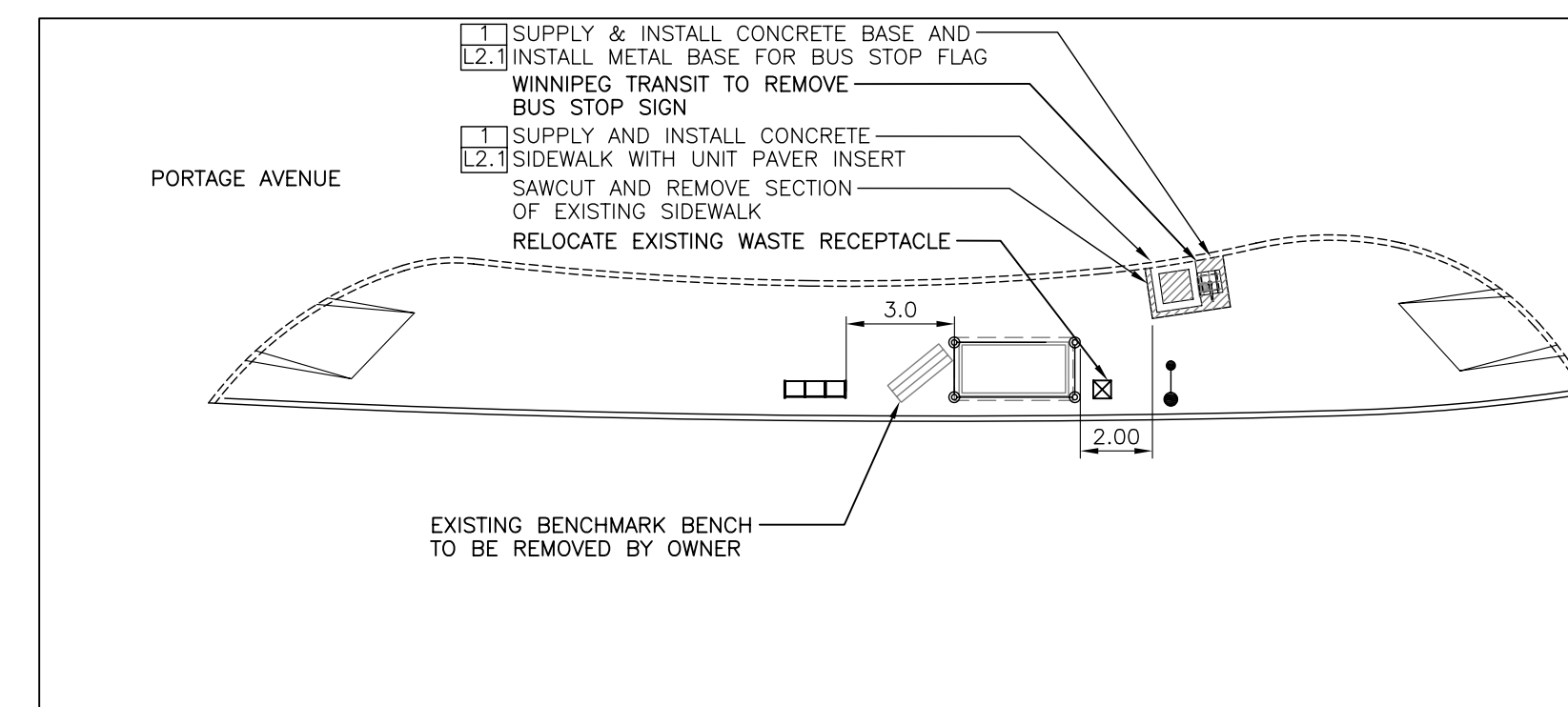
Eastbound Portage, F/S Opp Sturgeon
Stop 20262 Sturgeon



Eastbound Portage, N/S Woodhaven
Stop 20264 Woodhaven

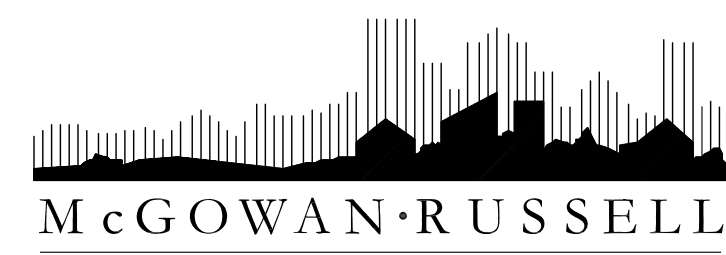


Westbound Portage, F/S Ronald
Stop 20227 Ronald



Eastbound Portage, F/S Opp Ainslie
Stop 20268 Ainslie

No.	Revisions	Date	By
26-02-08	1:200		
Designed By	Drawn By	Checked By	
JW	SAS	JW	



WINNIPEG TRANSIT
Project Title
**BUS STOP UPGARDE
PROGRAM PHASE 3
SITE WORKS**

Sheet Title
**PORTAGE AVENUE STOPS
LAYOUT PLANS 1 OF 4**
Project No. 06-029 Drawing No. L1.1