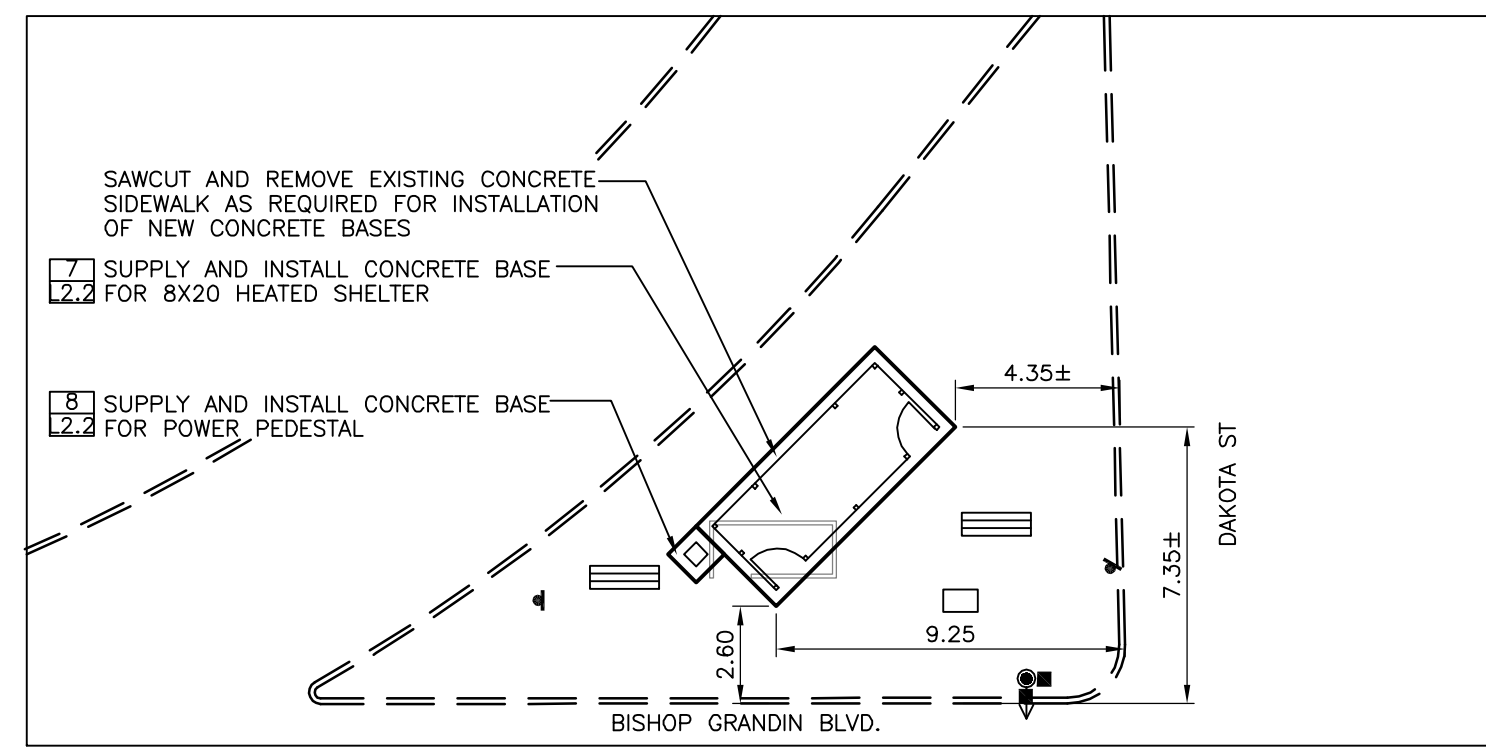
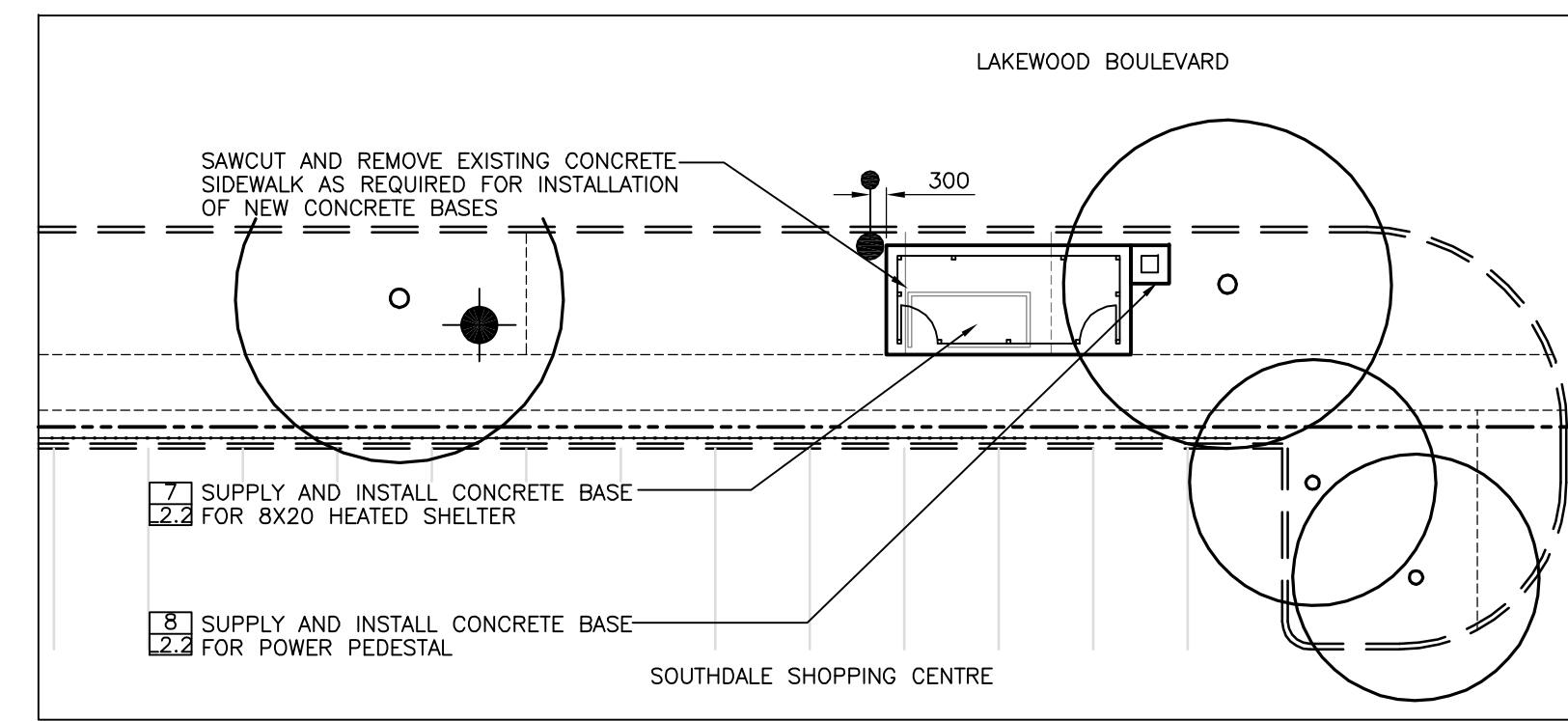


Westbound Bishop Grandin, F/S St. Mary's
Stop 50402 St. Mary's



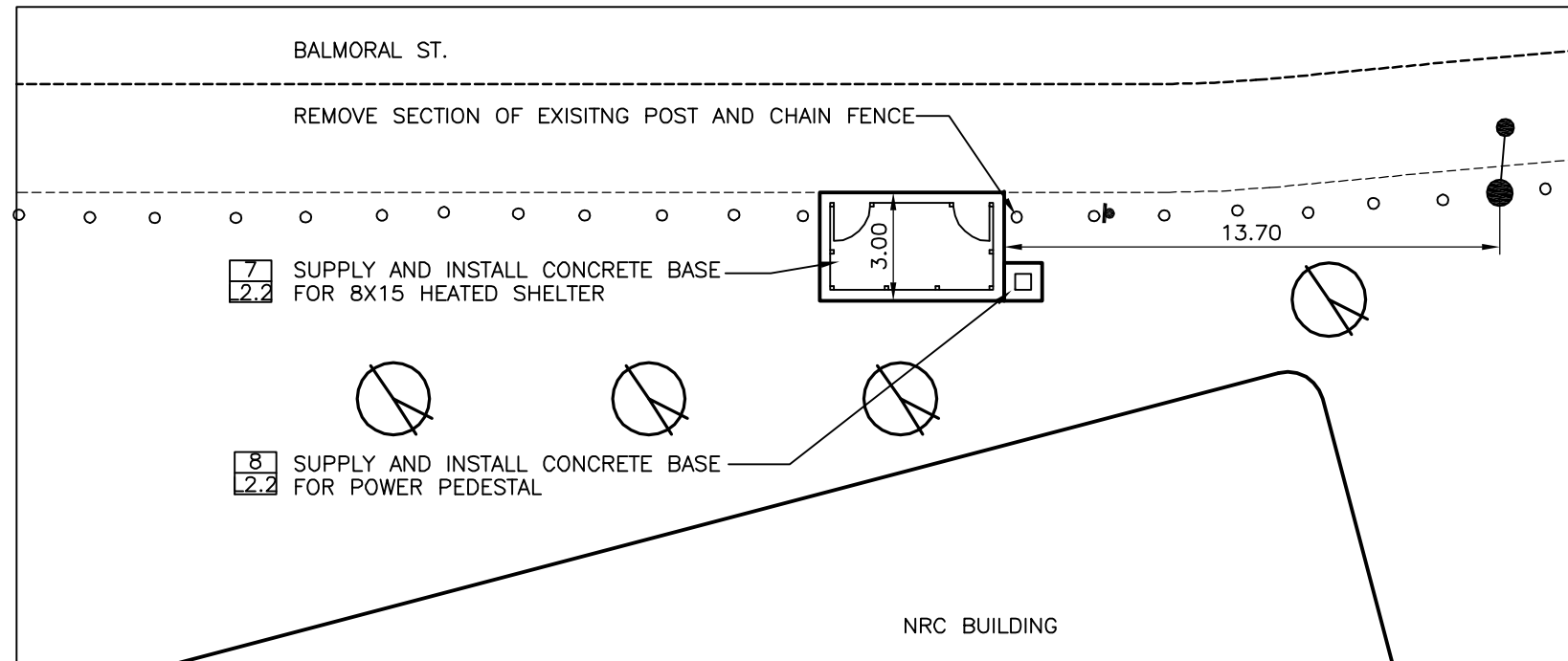
Westbound Bishop Grandin, F/S Dakota
Stop 50404 Dakota



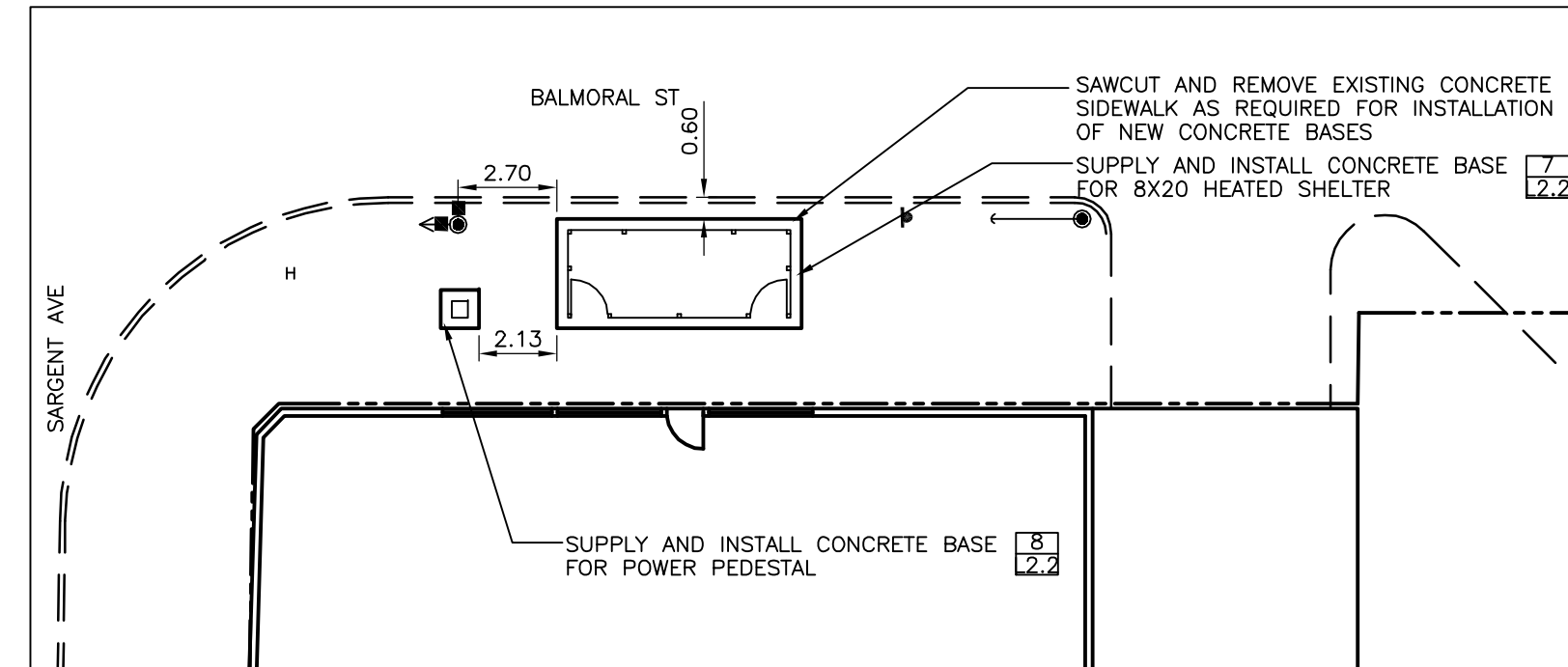
Northbound Lakewood, N/S Farmor
Stop 50311 Farmor



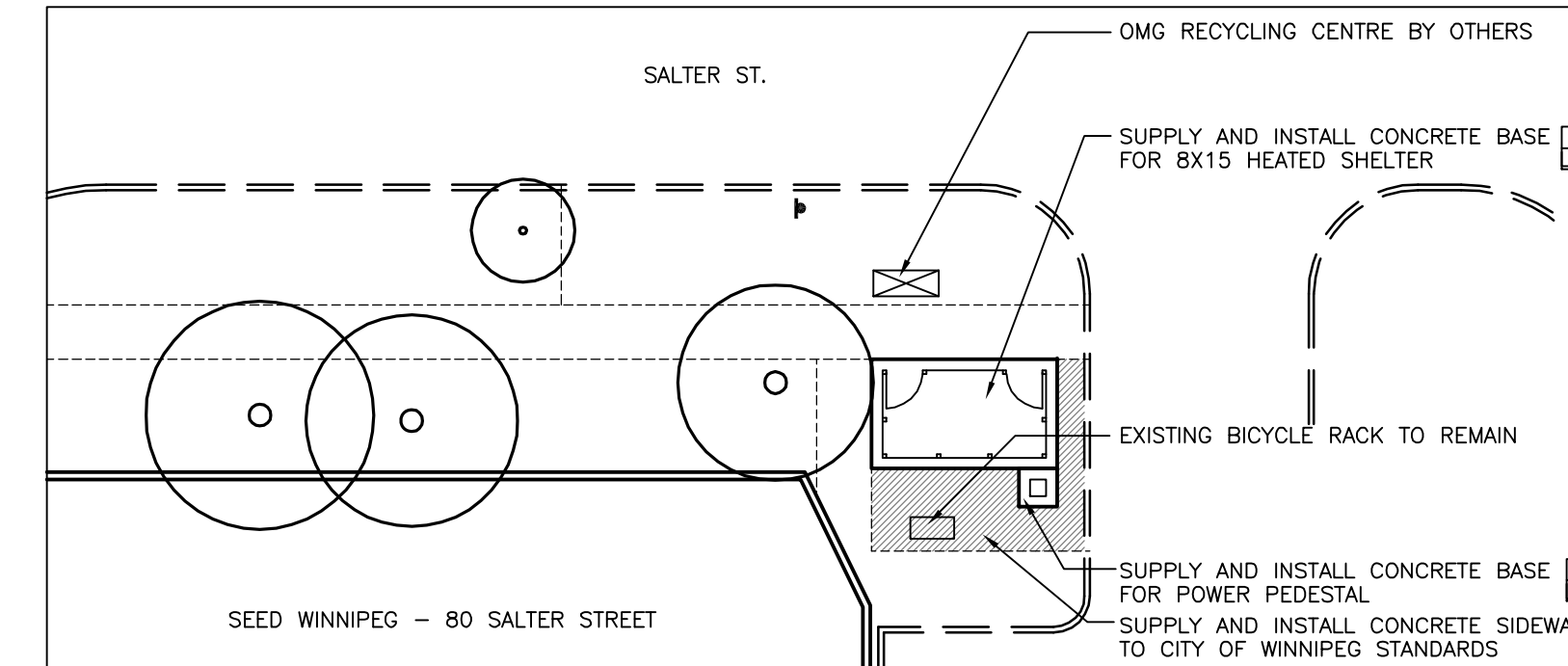
- LEGEND**
- EXISTING**
- PROPERTY LINE
 - EXISTING CURB
 - EXISTING COBRA LIGHT POLE
 - EXISTING HYDRANT
 - BENCH TO BE REMOVED
 - MTS PHONE BOOTH
 - WASTE RECEPTACLE
 - EXISTING TREE TO REMAIN
 - - - EXISTING SIDEWALK TO BE REMOVED
 - ⚡ EXISTING SIGN TO BE REMOVED
 - ⚡ EXISTING TRAFFIC SIGNAL
 - ⊙ EXISTING MAN HOLE
- PROPOSED**
- HOLLAND PAVERS
 - PINNED CONCRETE CURB / CURB RENEWAL
 - ▨ CONCRETE SIDEWALK
 - ▨ SOD
 - ⚡ ILLUMINATED TRANSIT SIGN
 - ⊙ BUS STOP TOTEM
 - ⊙ BUS STOP FLAG
 - ⊙ TRANSIT INFORMATION POSTER KIOSK (TIP KIOSK)
 - ⊙ BENCH WITH BACK
 - ⊙ BACKLESS BENCH



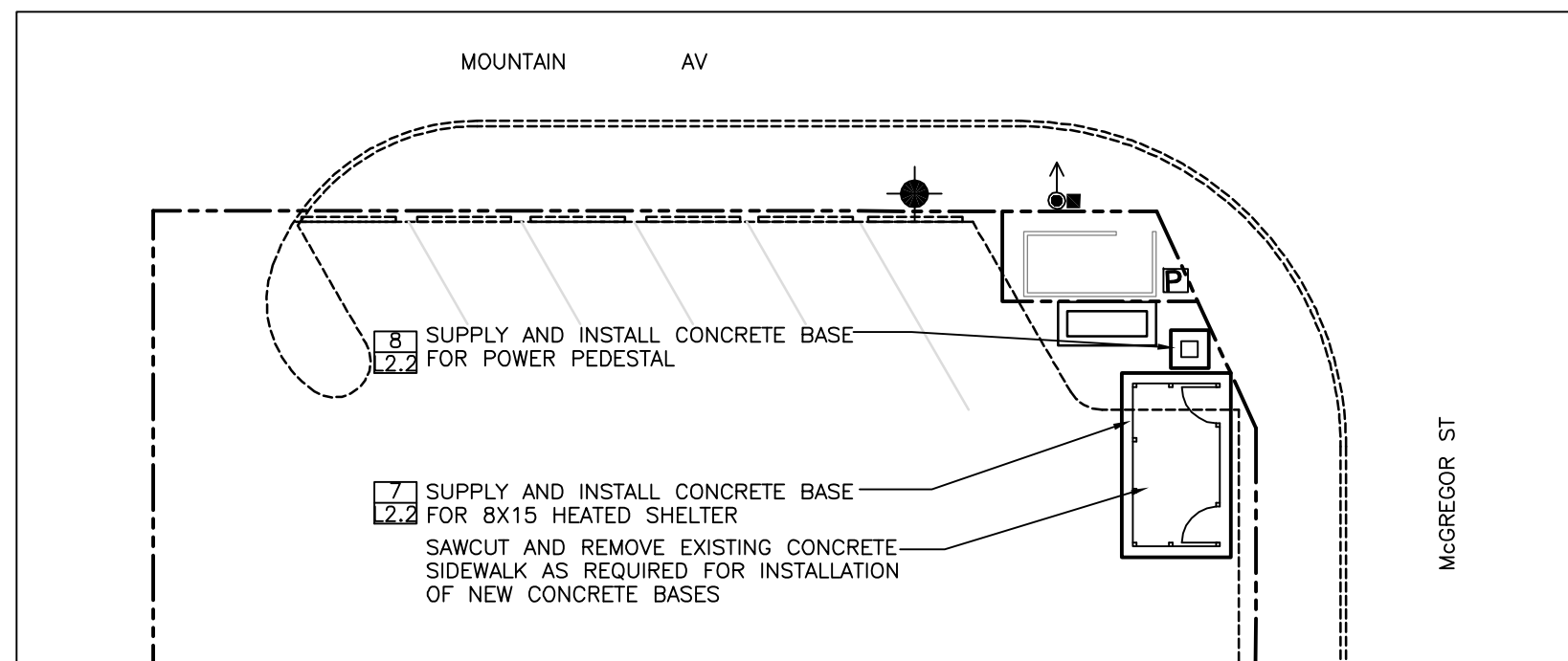
Northbound Balmoral, F/S Ellice
Stop 10835 Ellice North



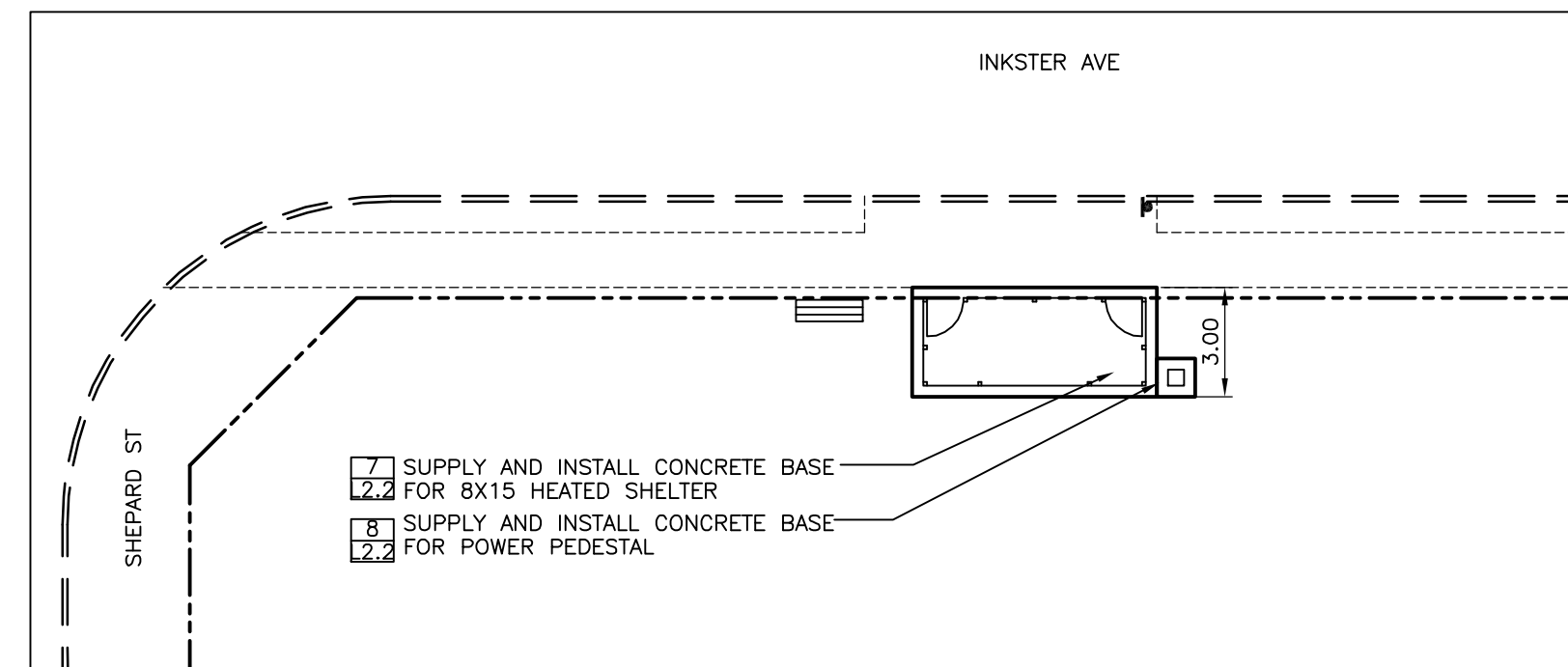
Northbound Balmoral, F/S Sargent
Stop 10735 Sargent



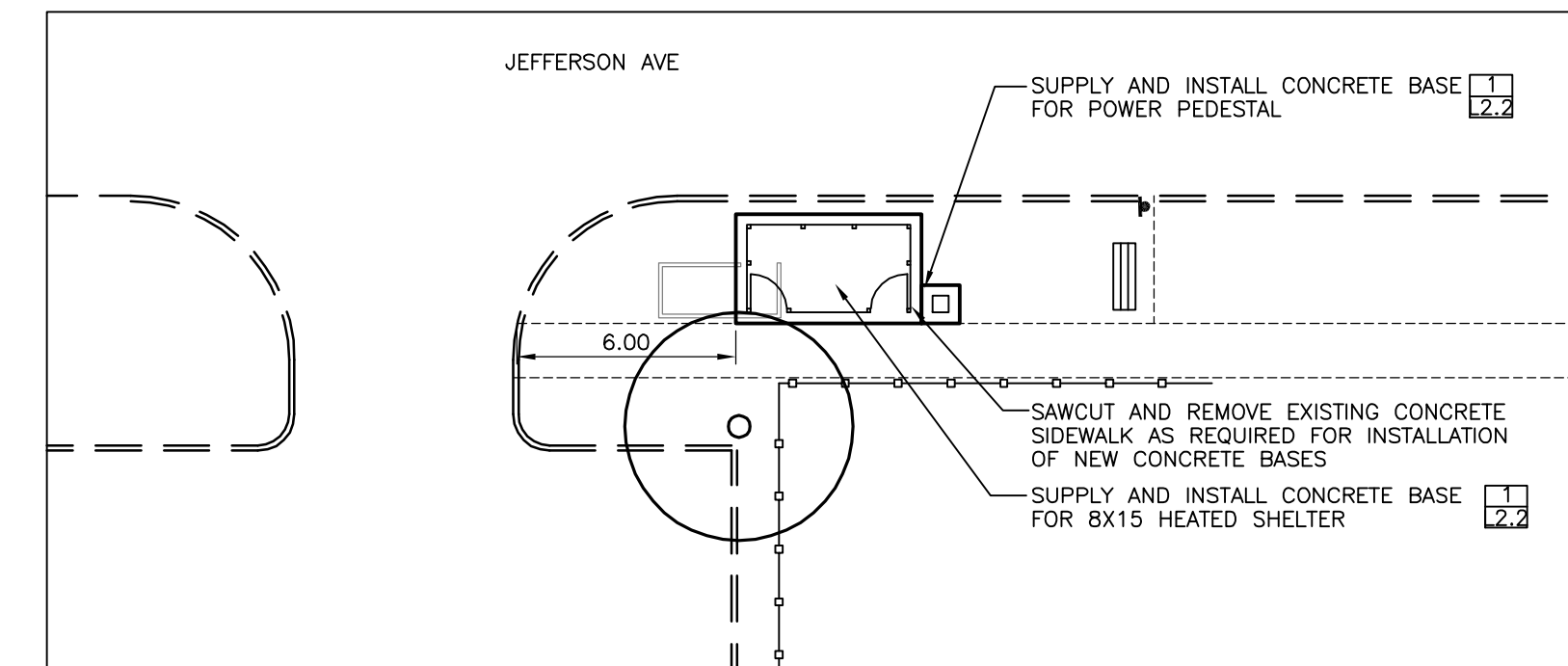
Southbound Salter, N/S Dufferin
Stop 30179 Dufferin



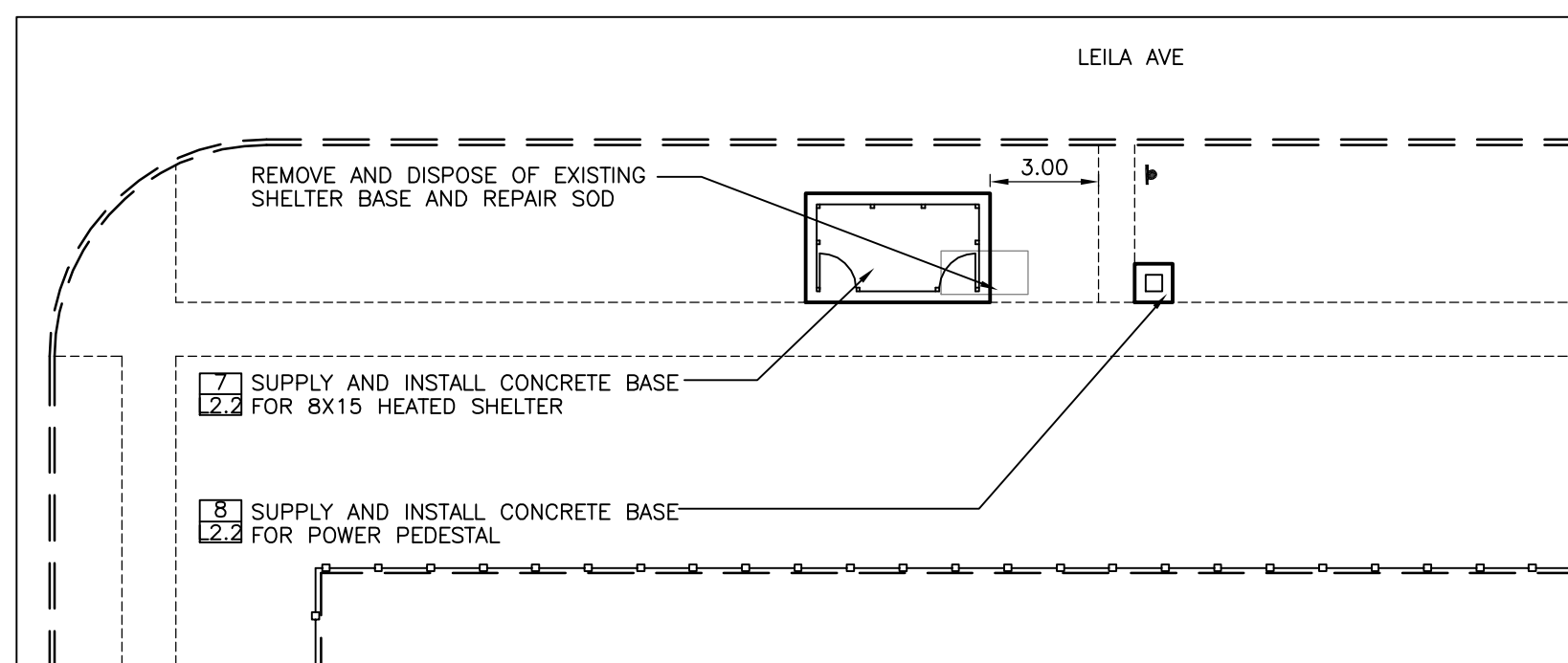
Eastbound Mountain, N/S McGregor
Stop 30248 Mountain



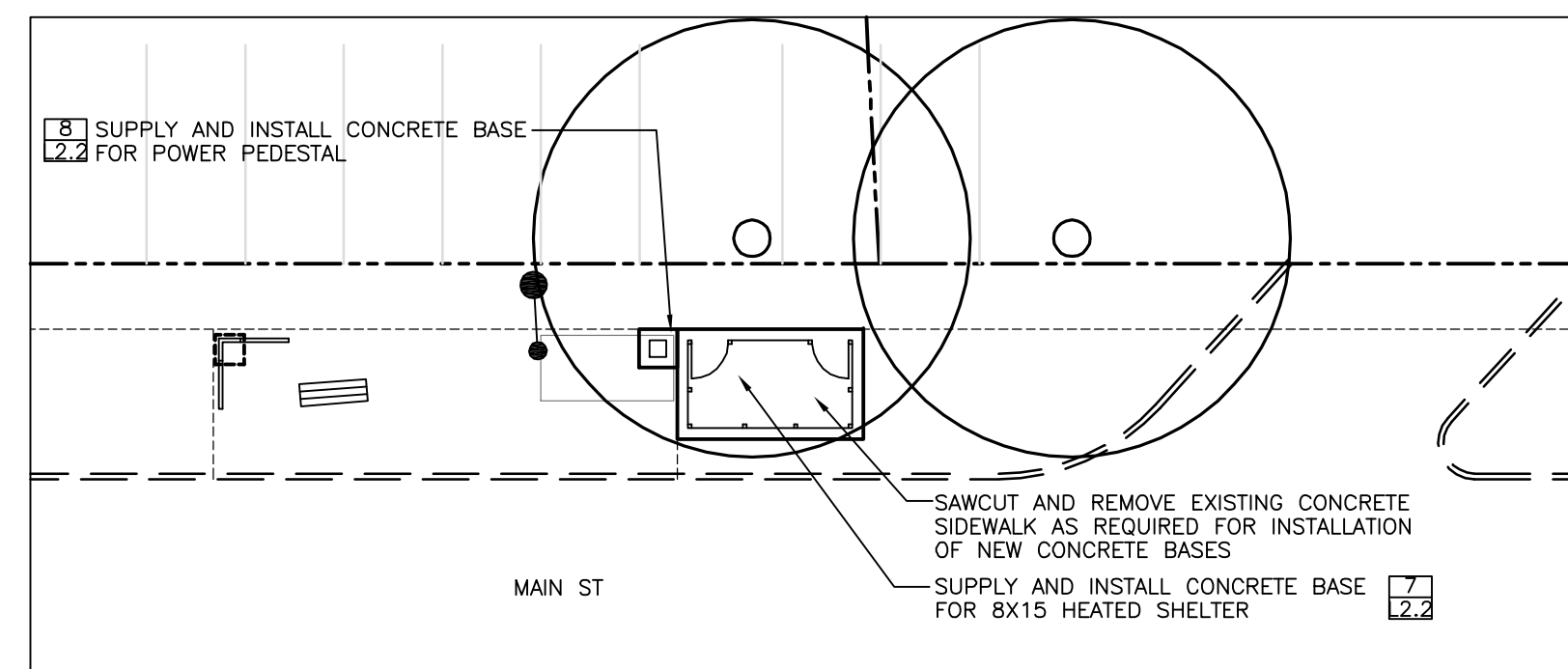
Eastbound Inkster, F/S Sheppard
Stop 30572 Shepard



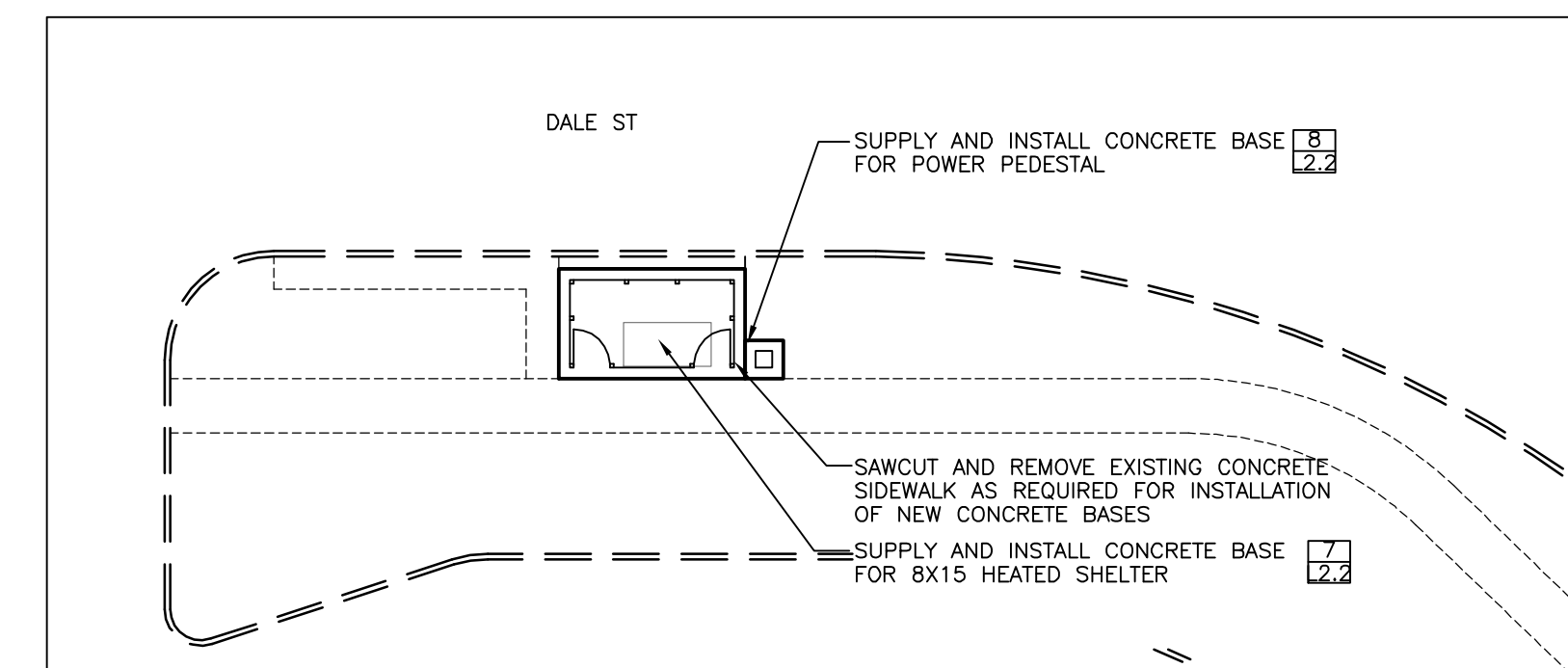
Eastbound Jefferson, F/S McPhillips
Stop 30421 McPhillips East



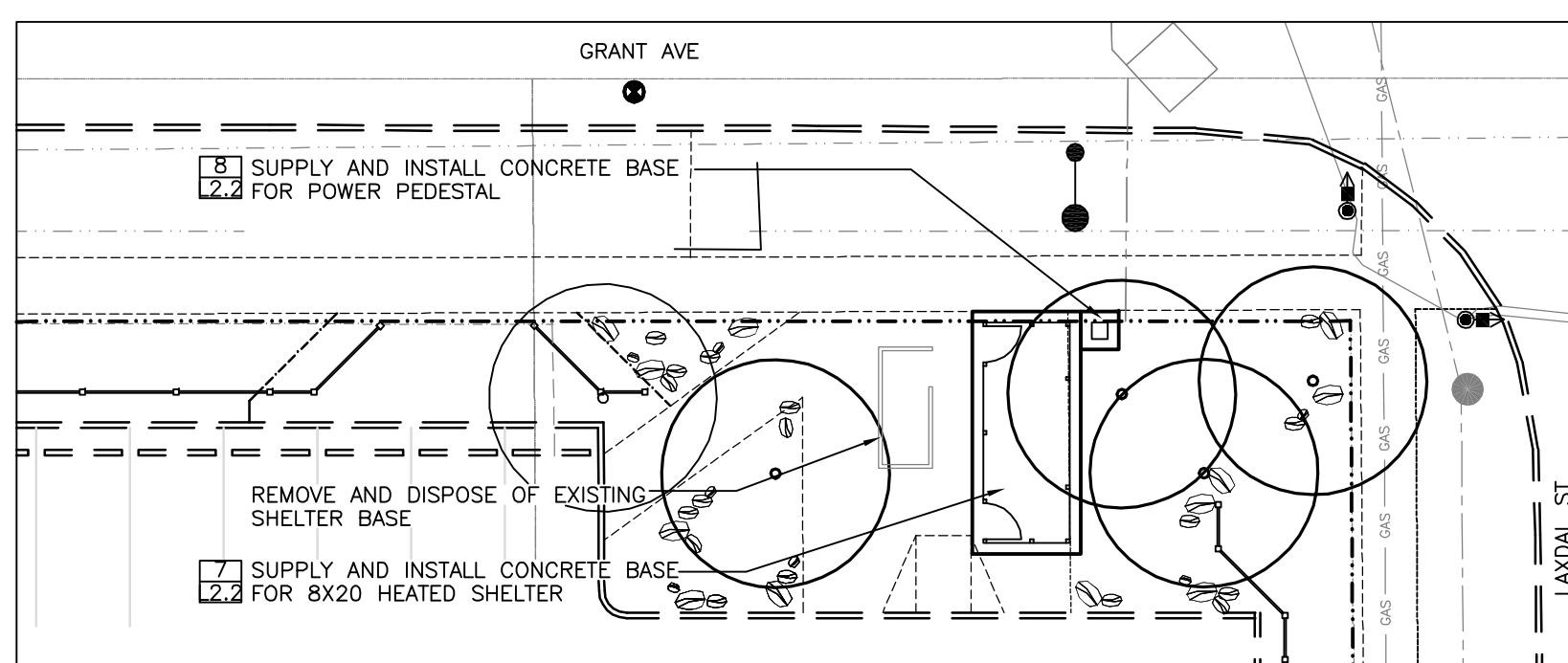
Eastbound Leila, F/S Watson
Stop 30372 Watson East



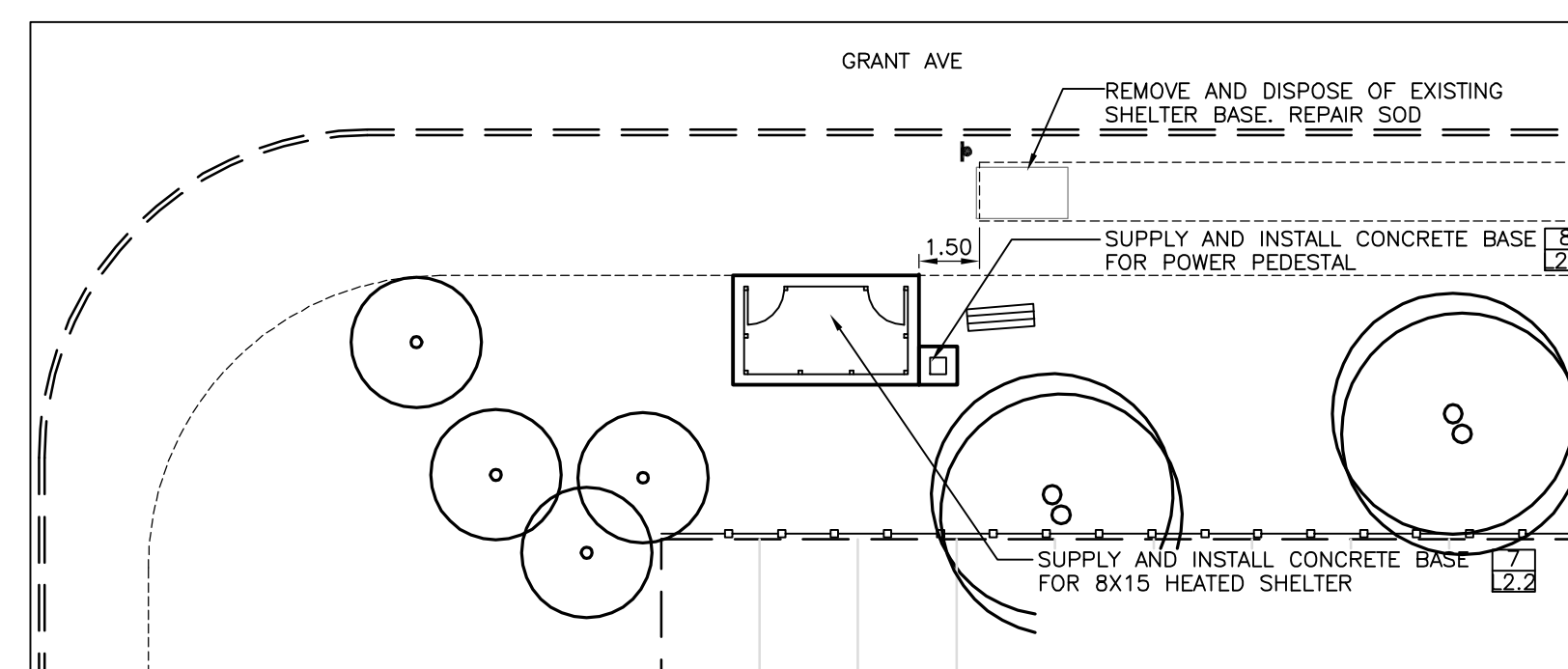
Southbound Main, F/S Opp Seven Oaks
Stop 30043 Seven Oaks



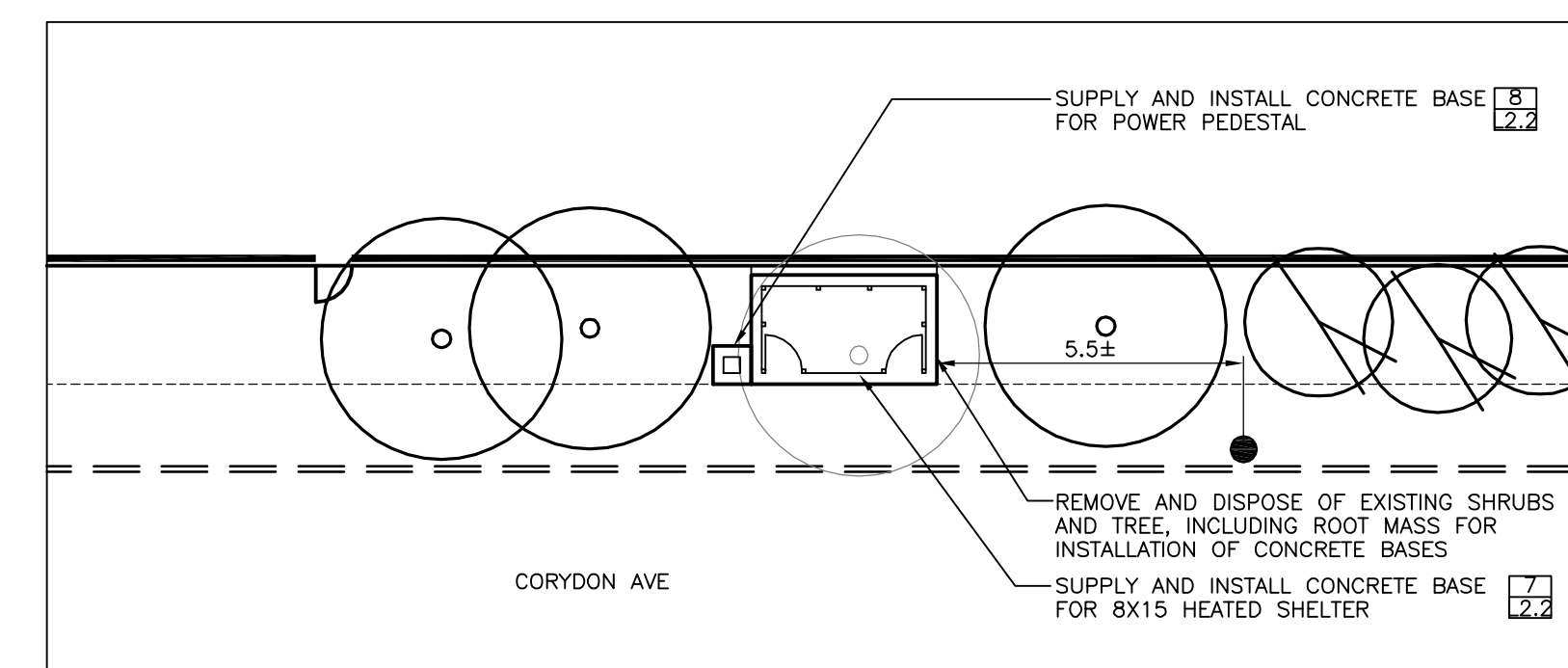
Northbound Dale, N/S Roblin
Stop 60663 Roblin



Eastbound Grant, F/S Laxdal
Stop 60532 Laxdal



Eastbound Grant, F/S Shaftesbury
Stop 60522 Shaftesbury



Westbound Corydon, F/S Edgeland
Stop 60458 Edgeland



No.	Author	Date	By
15-02-08	JW	1:200	JW
	JW		SR



WINNIPEG TRANSIT
**BUS STOP UPGRADE
PROGRAM PHASE 3
SITE WORKS**

**RELOCATION STOPS
LAYOUT PLANS**