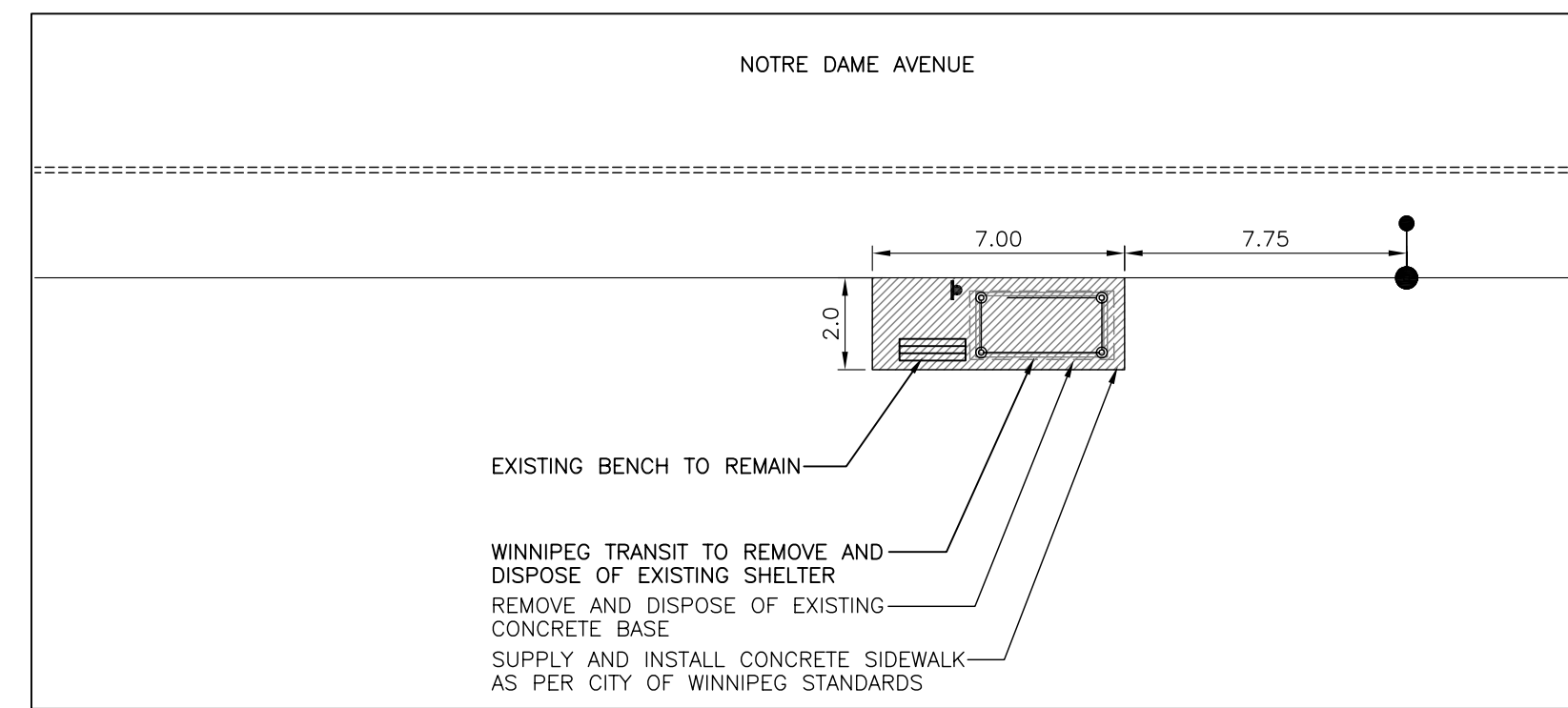
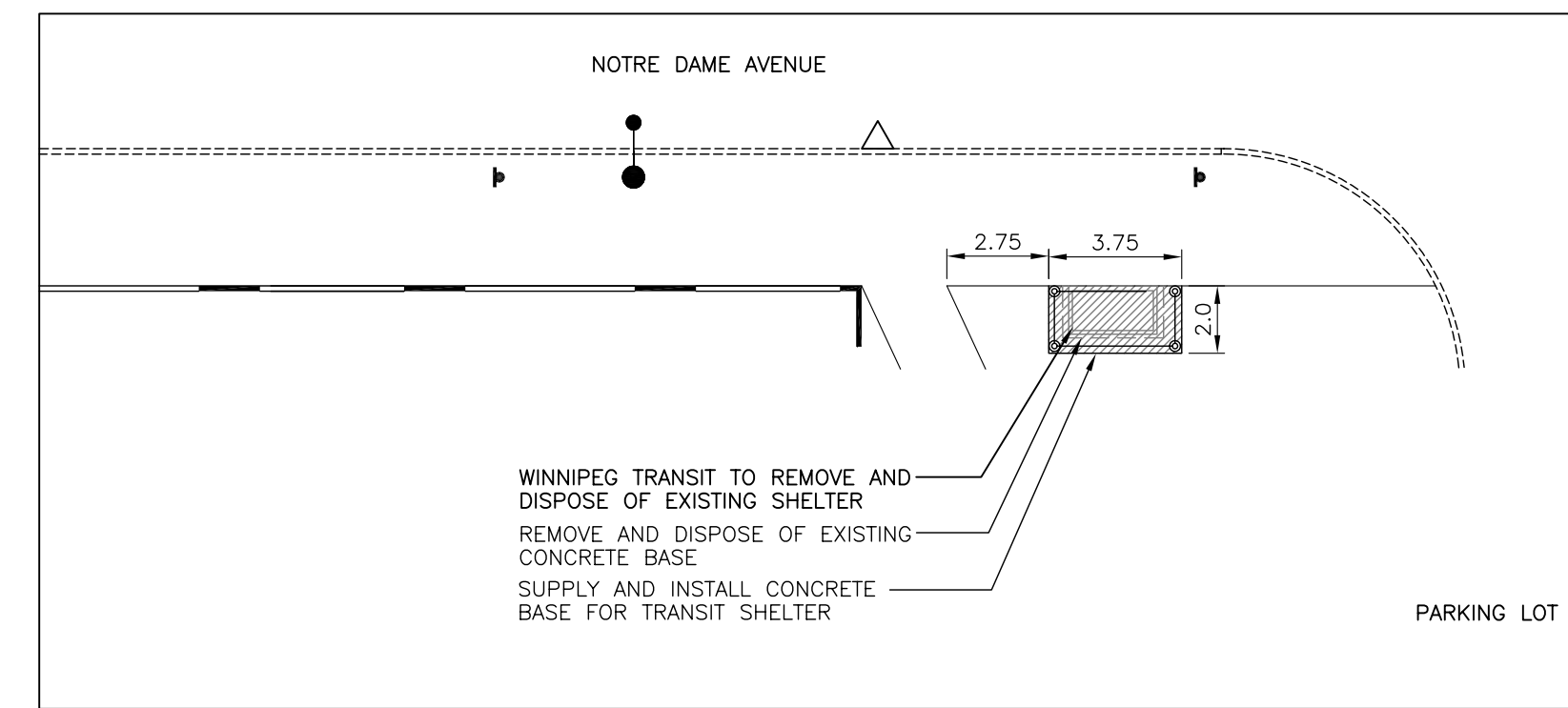


Eastbound Notre Dame, F/S Keewatin
Stop 10390 Keewatin

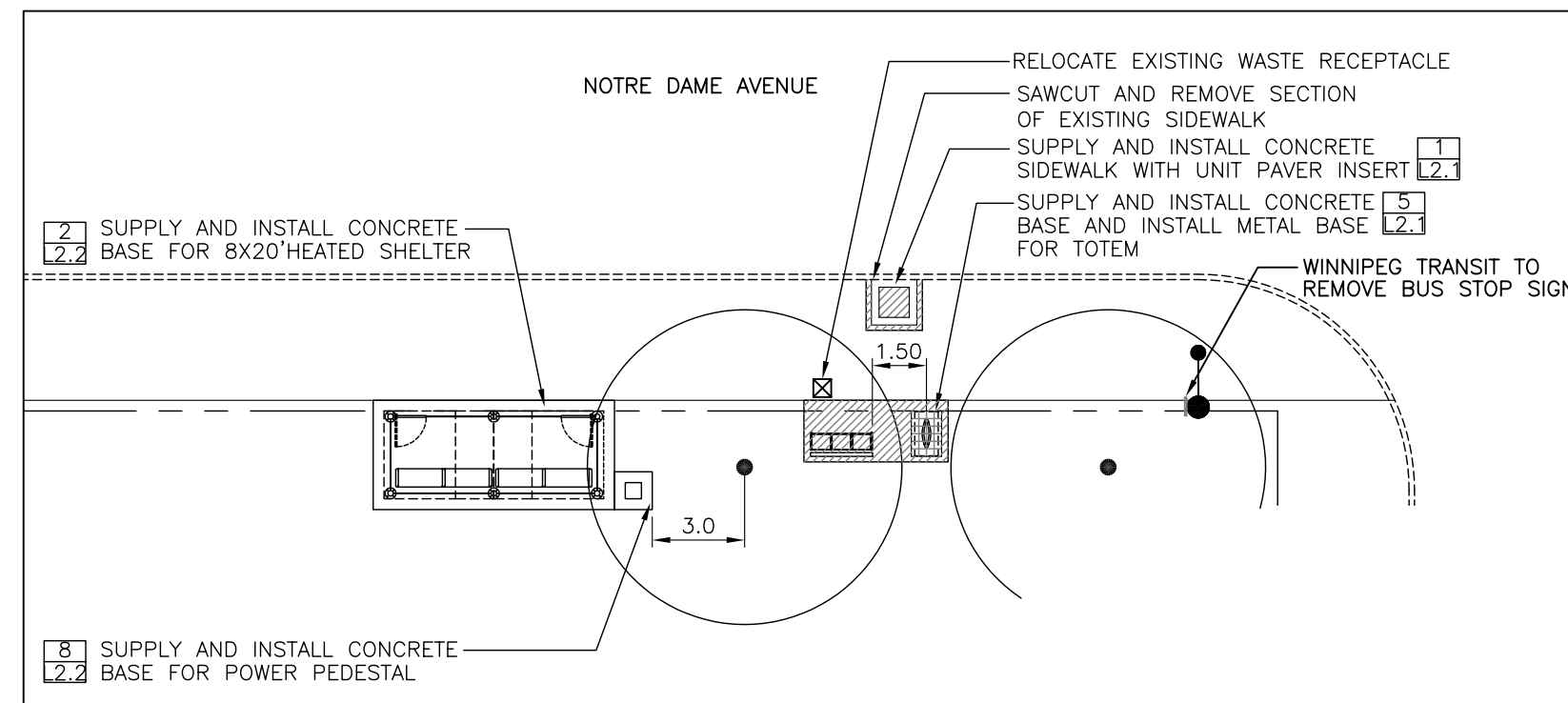


Eastbound Notre Dame, N/S Dublin
Stop 10801 Dublin

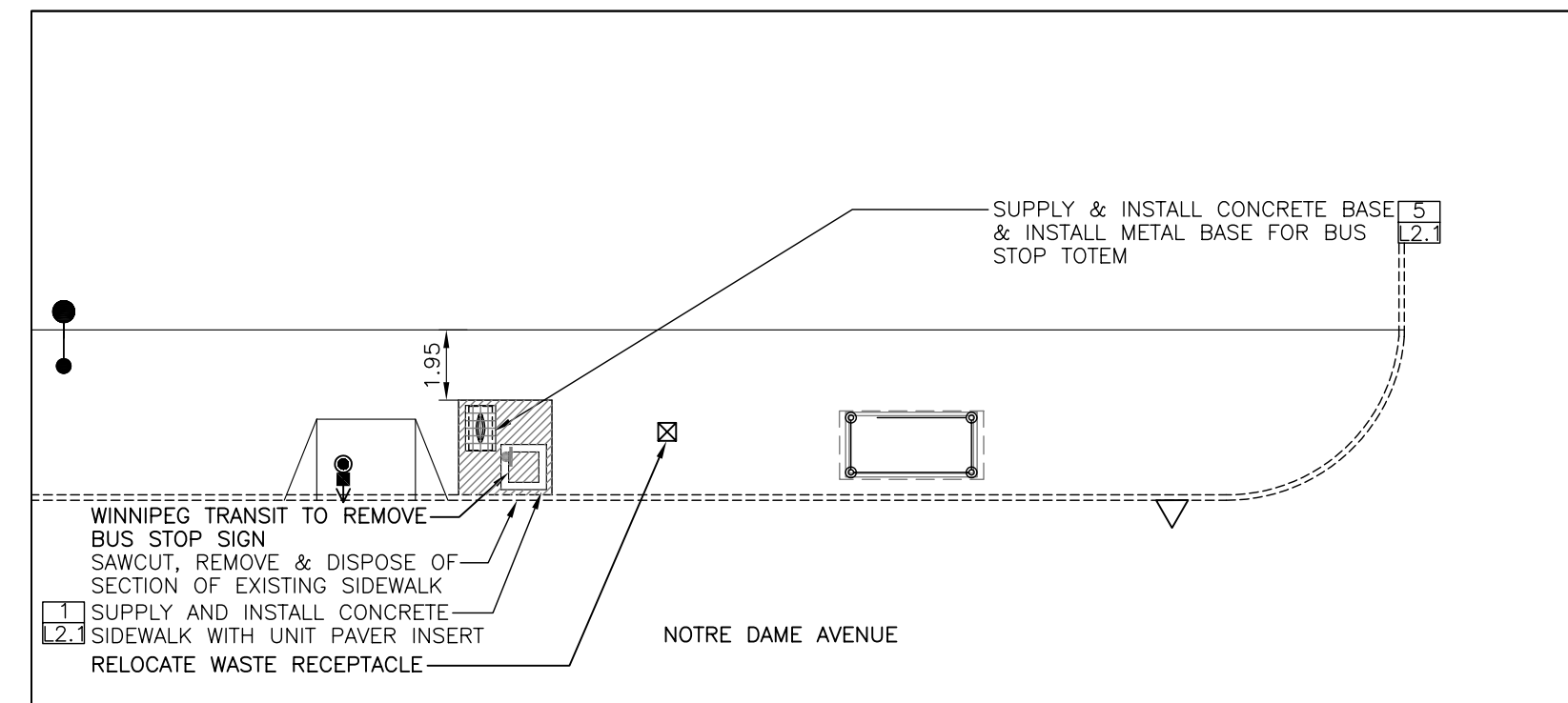


Eastbound Notre Dame, F/S Erin
Stop 10404 Erin

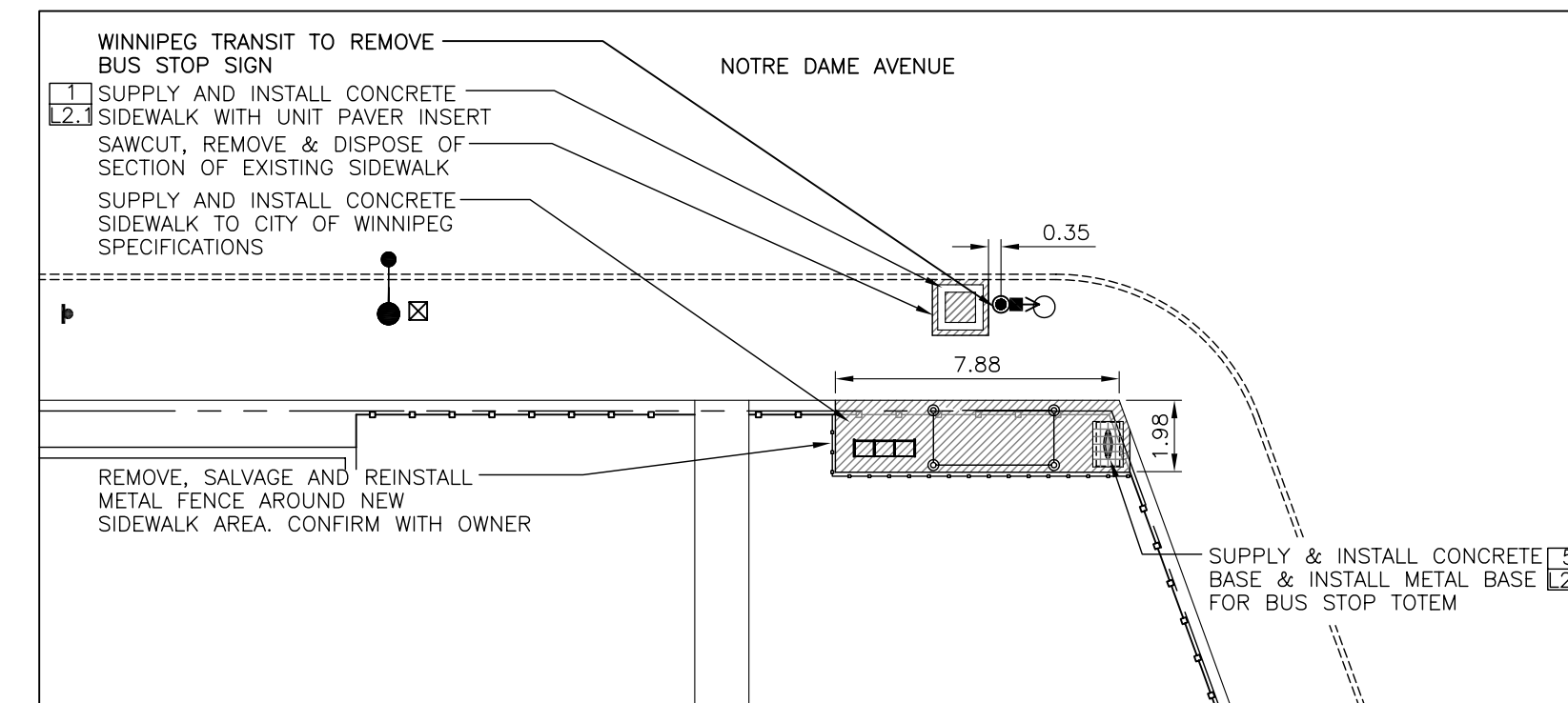
- LEGEND**
- EXISTING**
- PROPERTY LINE
 - EXISTING CURB
 - EXISTING COBRA LIGHT POLE
 - EXISTING HYDRANT
 - BENCH TO BE REMOVED
 - MTS PHONE BOOTH
 - WASTE RECEPTACLE
 - EXISTING TREE TO REMAIN
 - EXISTING SIDEWALK TO BE REMOVED
 - ▲ EXISTING SIGN TO BE REMOVED
 - ▲ EXISTING TRAFFIC SIGNAL
 - EXISTING MAN HOLE
- PROPOSED**
- HOLLAND PAVERS
 - PINNED CONCRETE CURB / CURB RENEWAL
 - ▨ CONCRETE SIDEWALK
 - ▨ SOD
 - ▲ ILLUMINATED TRANSIT SIGN
 - BUS STOP TOTEM
 - BUS STOP FLAG
 - TRANSIT INFORMATION POSTER KIOSK (TIP KIOSK)
 - BENCH WITH BACK
 - BACKLESS BENCH



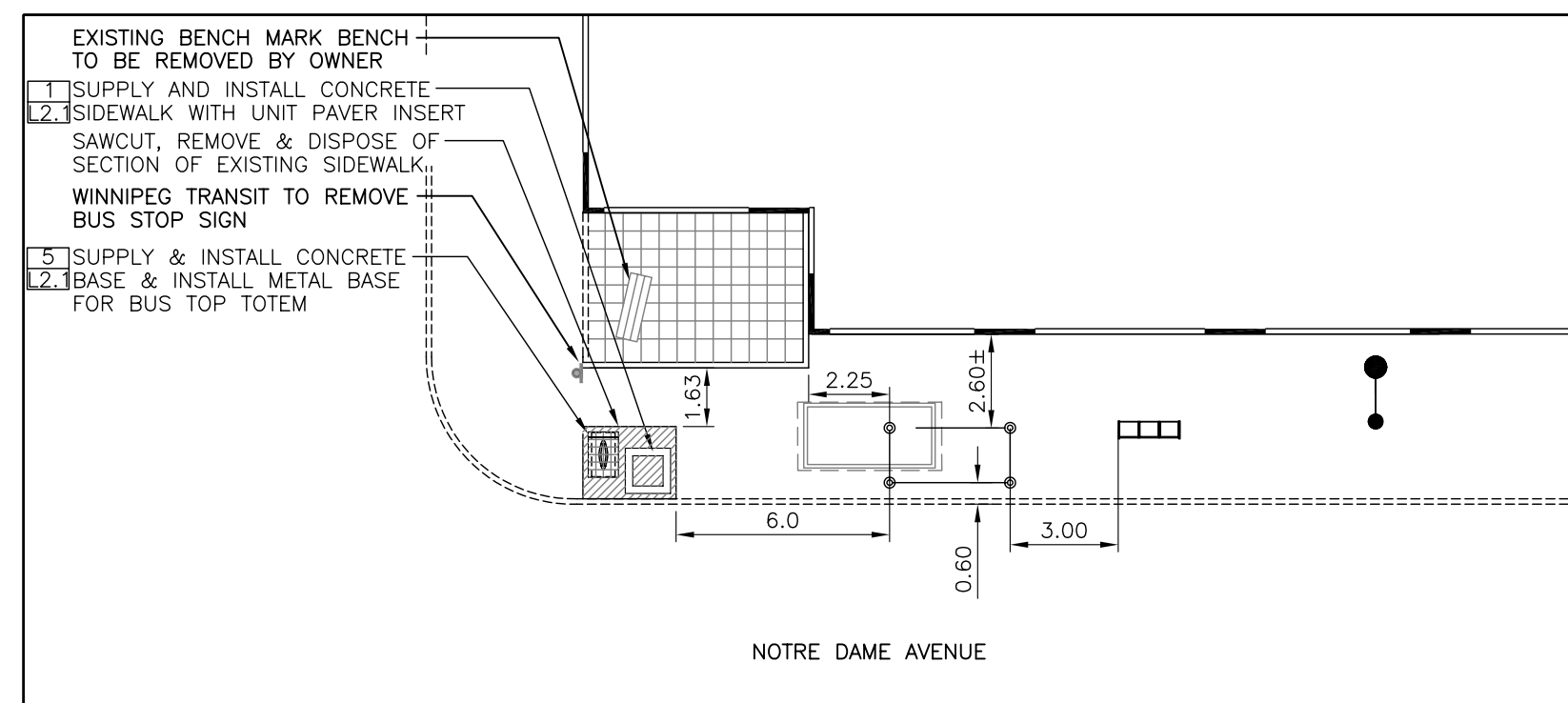
Eastbound Notre Dame, N/S Wall
Stop 10407 Wall



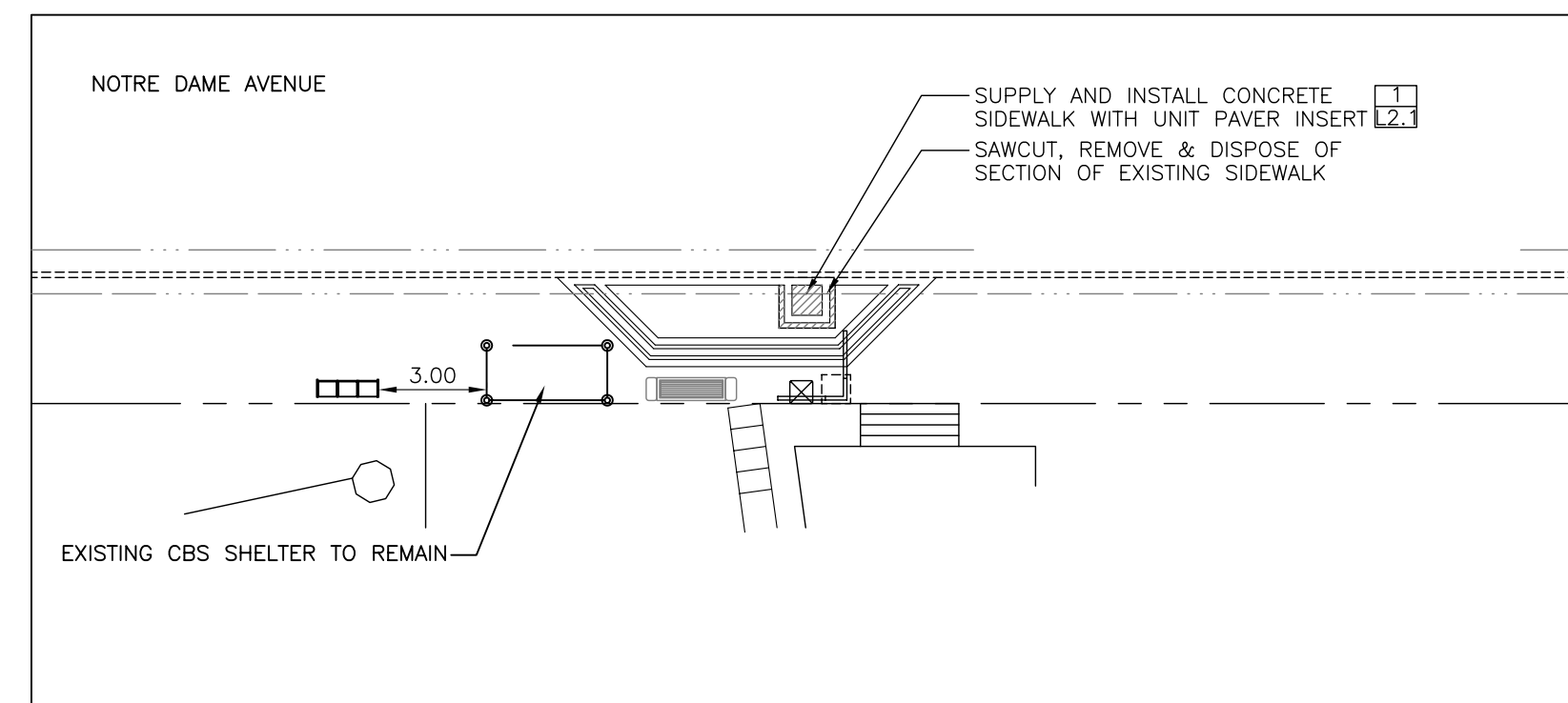
Westbound Notre Dame, N/S Wall
Stop 10406 Wall



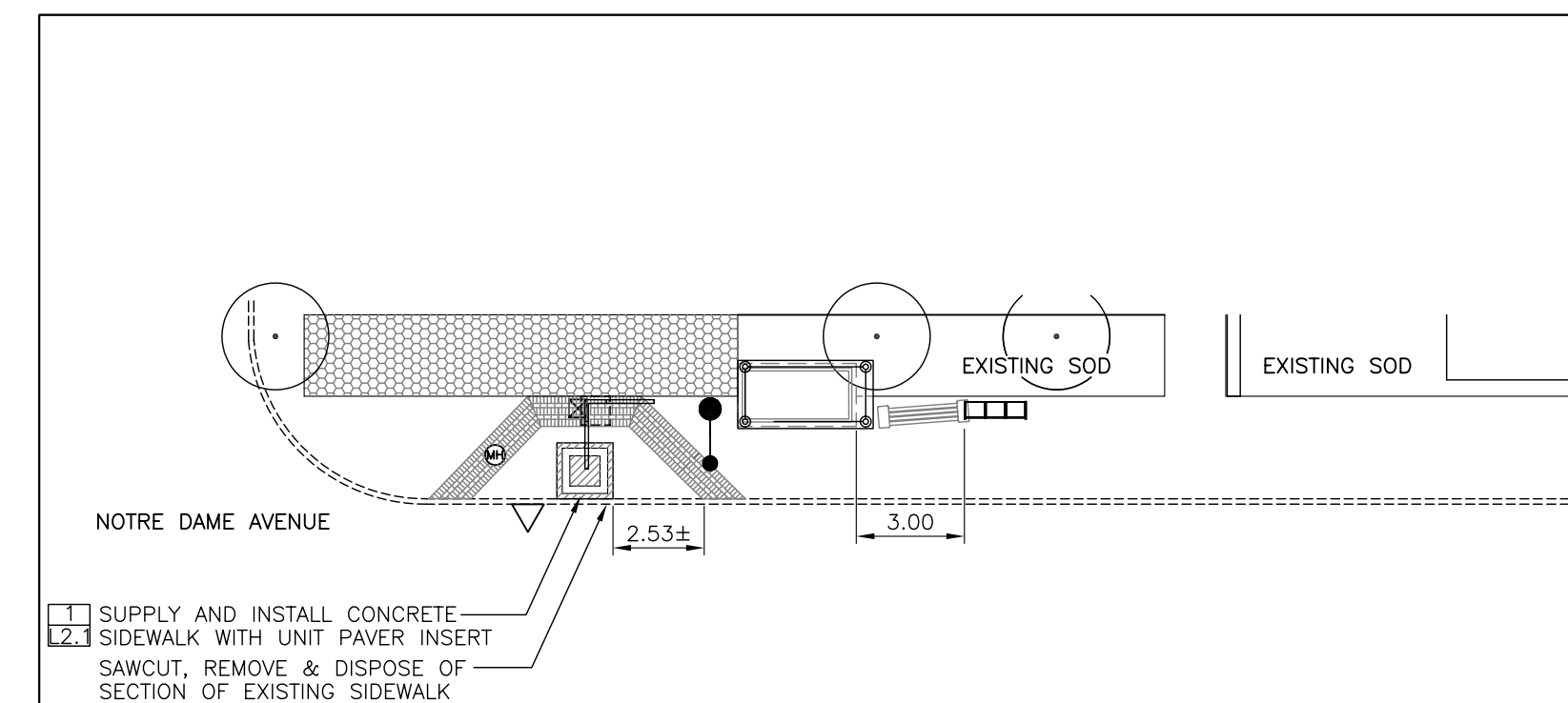
Eastbound Notre Dame, N/S Arlington
Stop 10789 Arlington



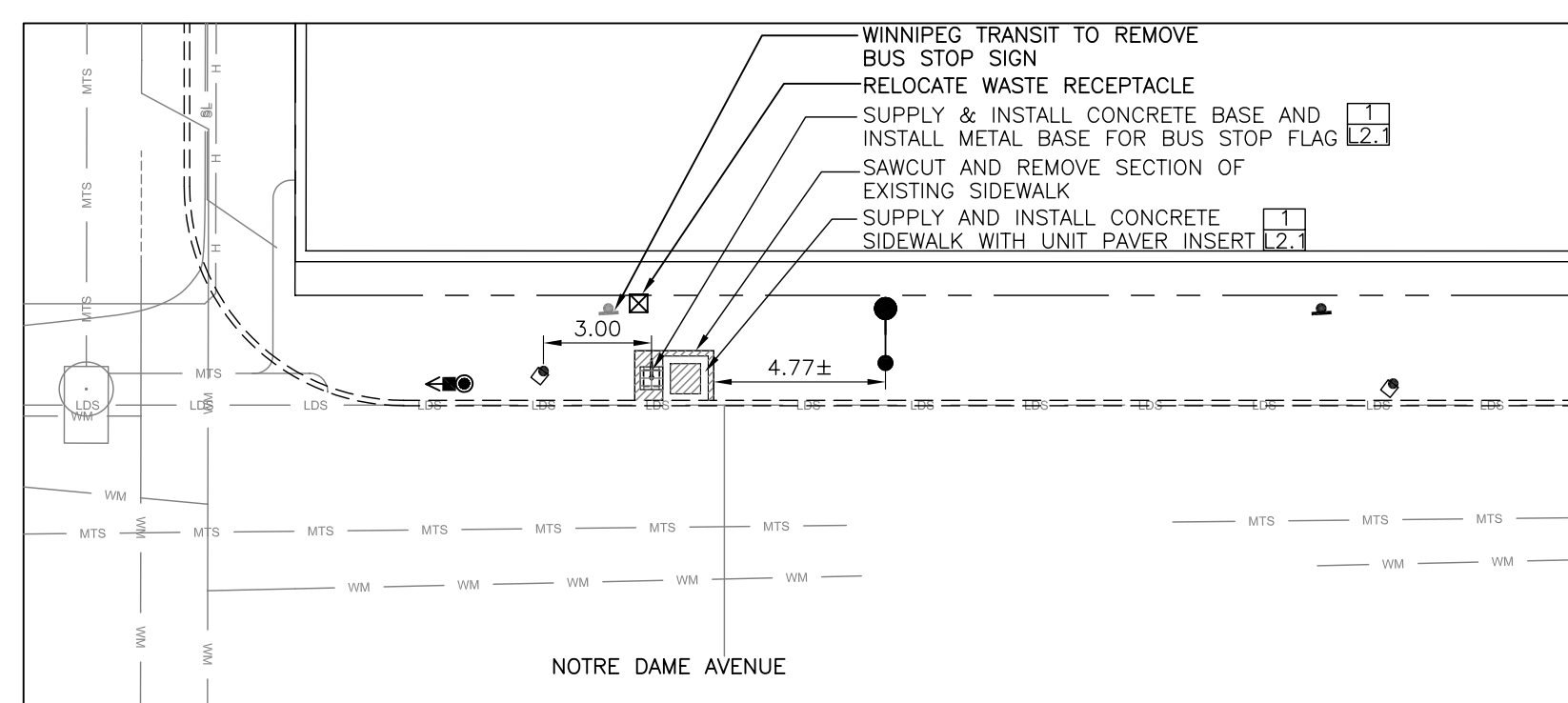
Westbound Notre Dame, N/S Arlington
Stop 10417 Arlington



Eastbound Notre Dame, F/S McGee
Stop 10422 McGee (Health Sciences Centre)



Westbound Notre Dame, F/S Pearl
Stop 10423 Pearl



Westbound Notre Dame, N/S Sherbrook
Stop 10771 Sherbrook

No.	Revisions	Date	By
Date Scale			
26-02-08		1:200	
Designed By	Drawn By	Checked By	
JW	SAS	JW	

Seals



WINNIPEG TRANSIT
Project Title
**BUS STOP UPGARDE
PROGRAM PHASE 3
SITE WORKS**

Sheet Title
**NOTRE DAME STOPS
LAYOUT PLANS**

Project No. Drawing No.
06-029 L1.5