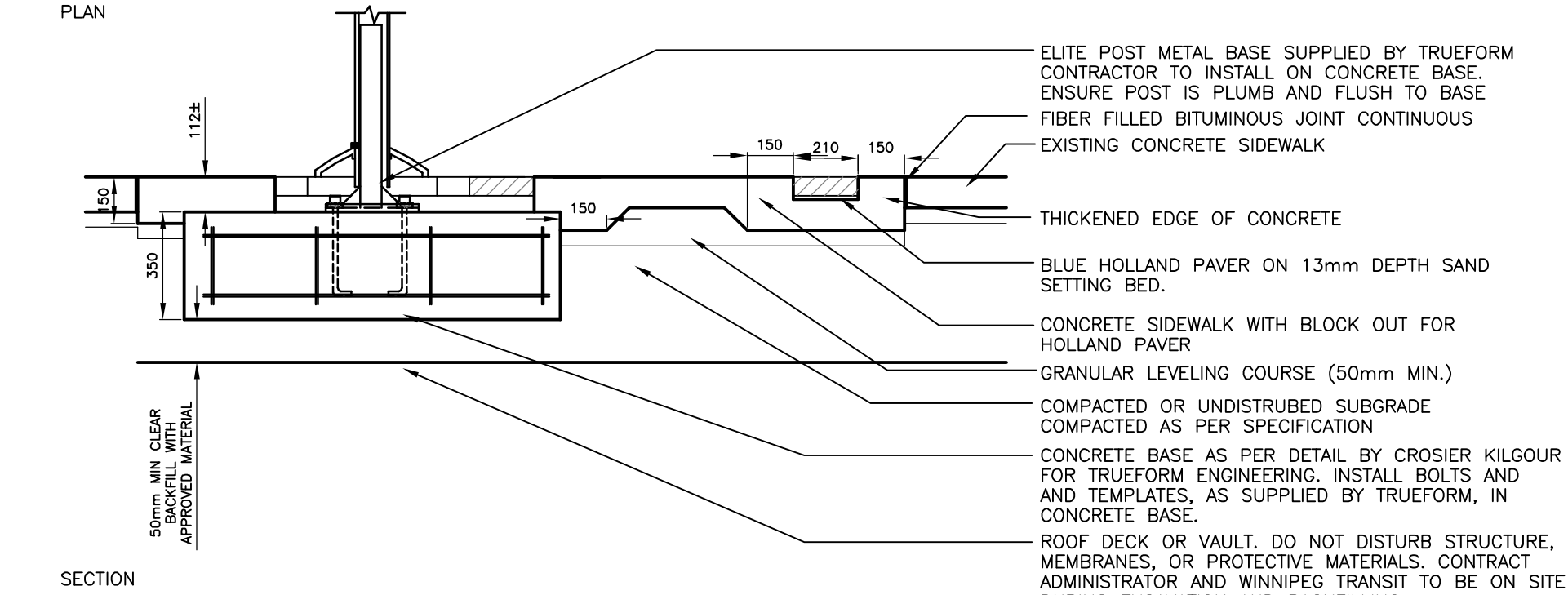
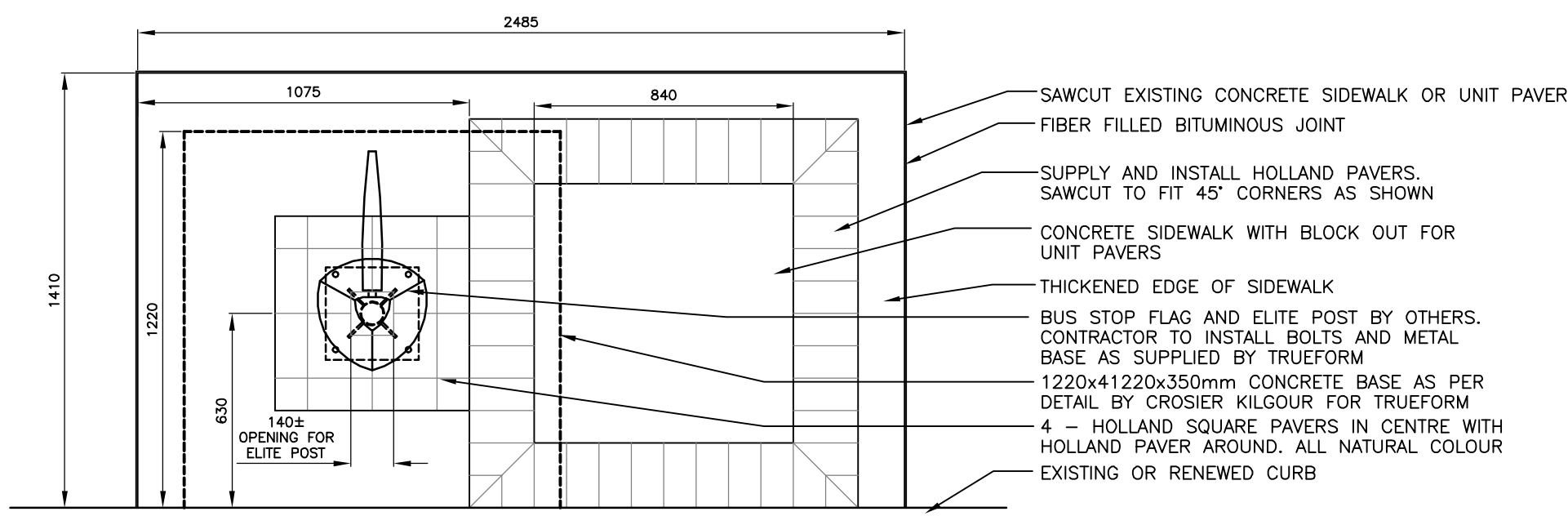
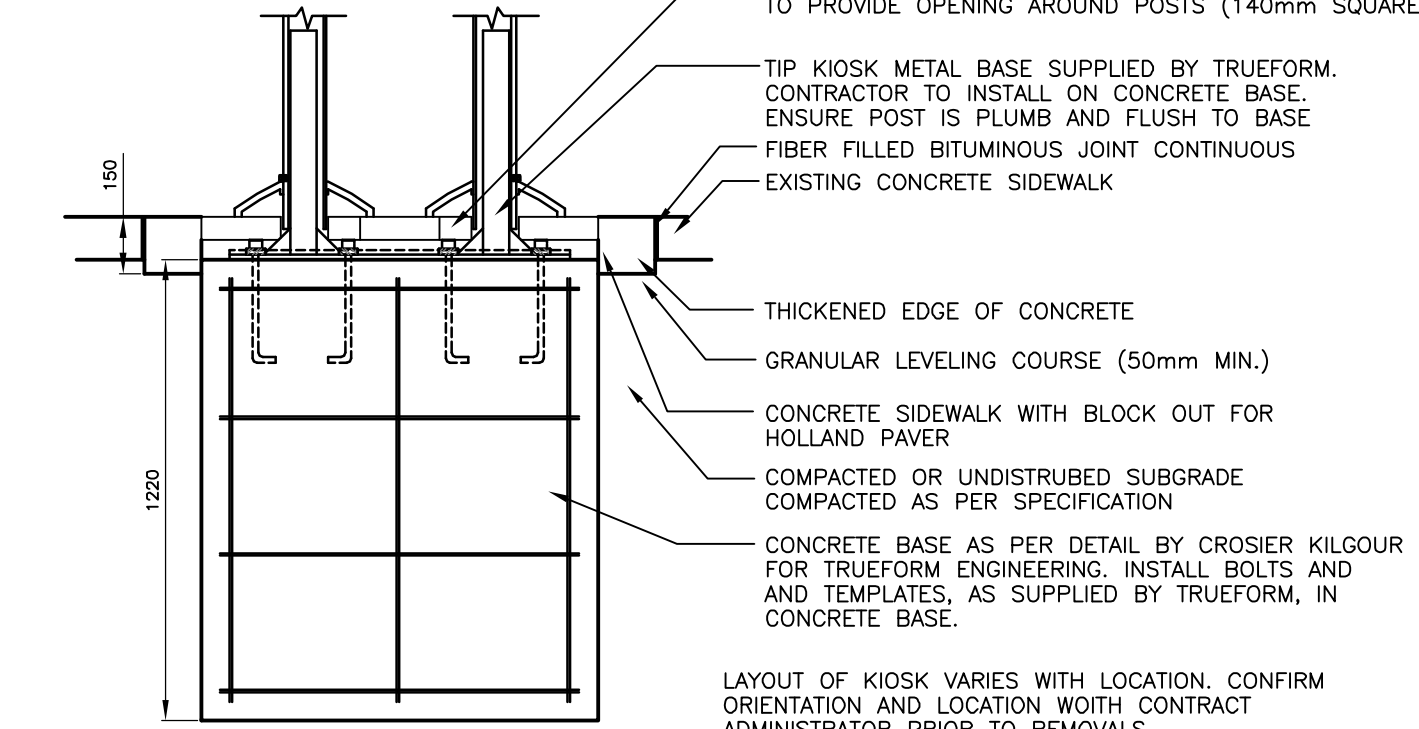
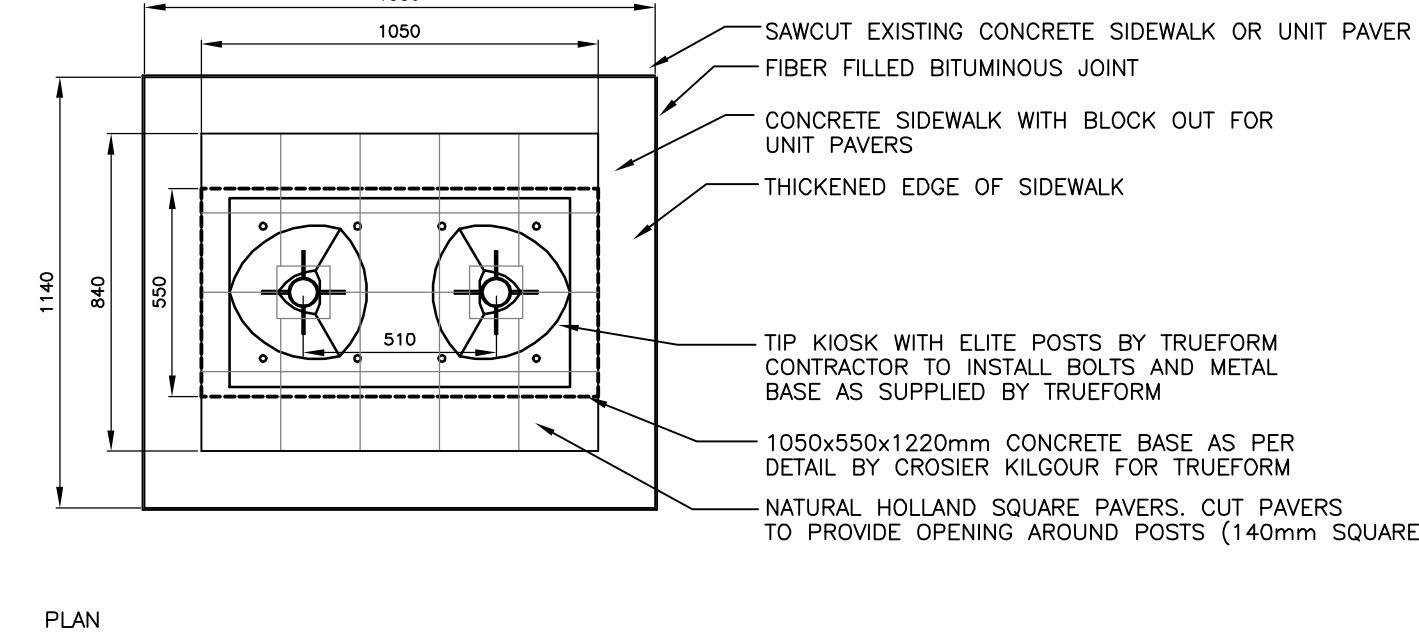


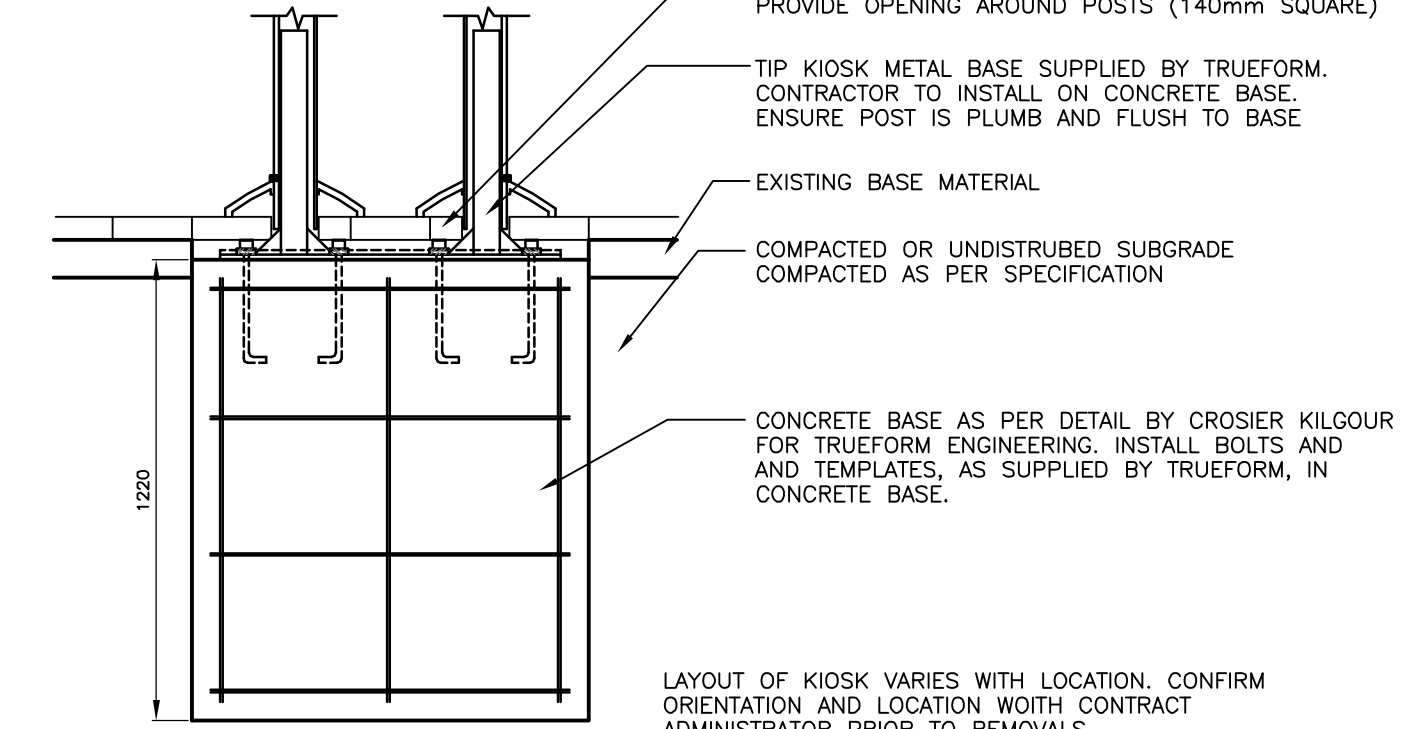
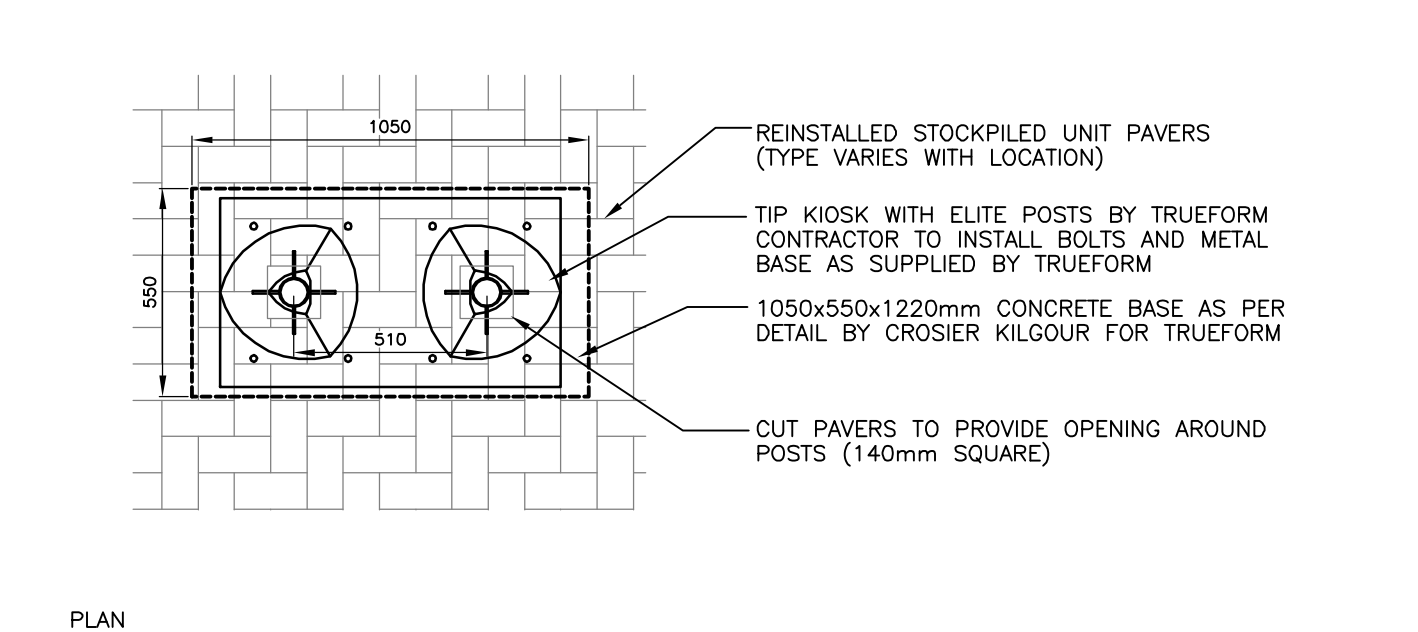
BUS STOP FLAG BASE WITH CONCRETE SIDEWALK & UNIT PAVER INSERT
 1
 L1.1 N.T.S.



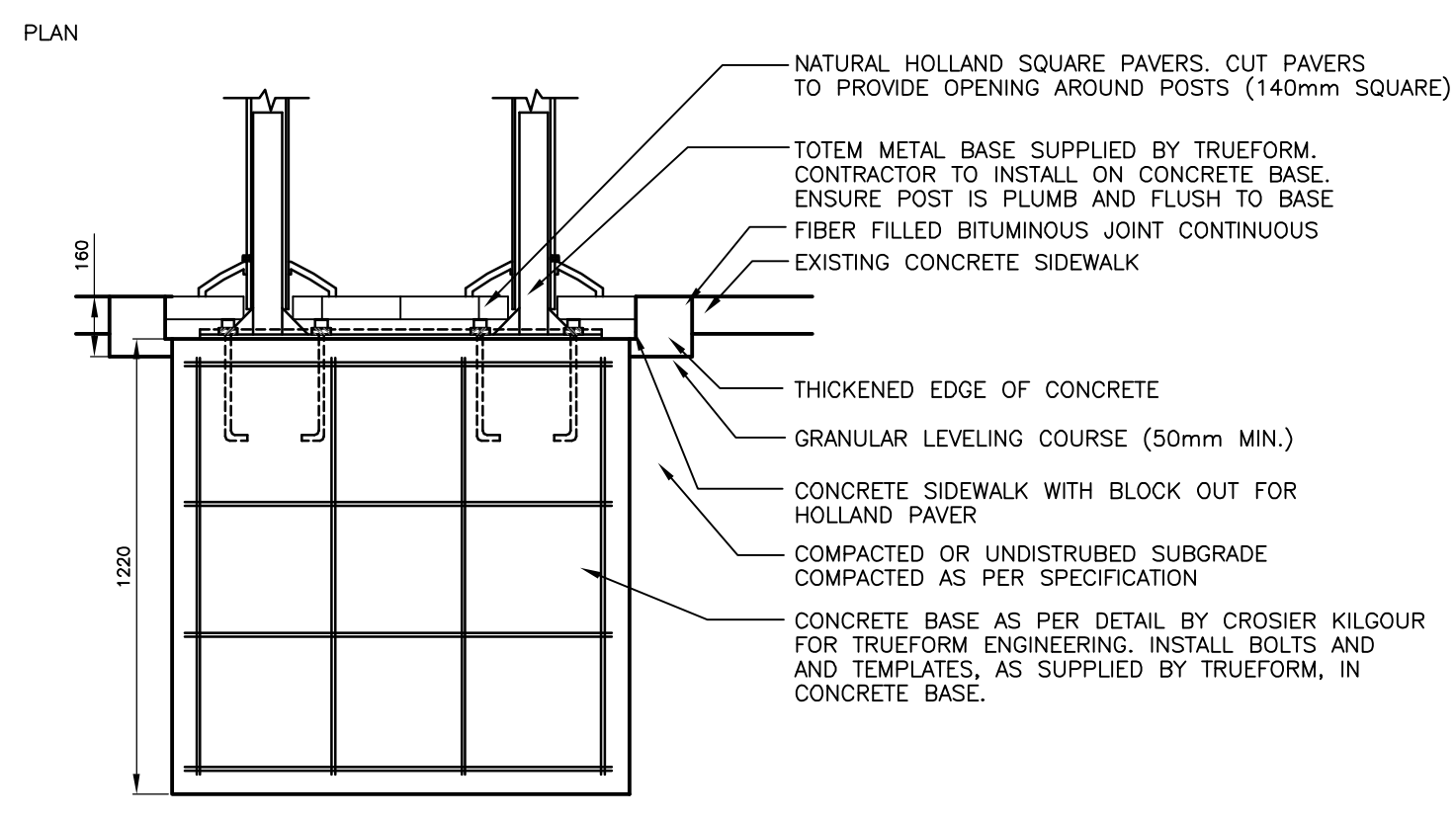
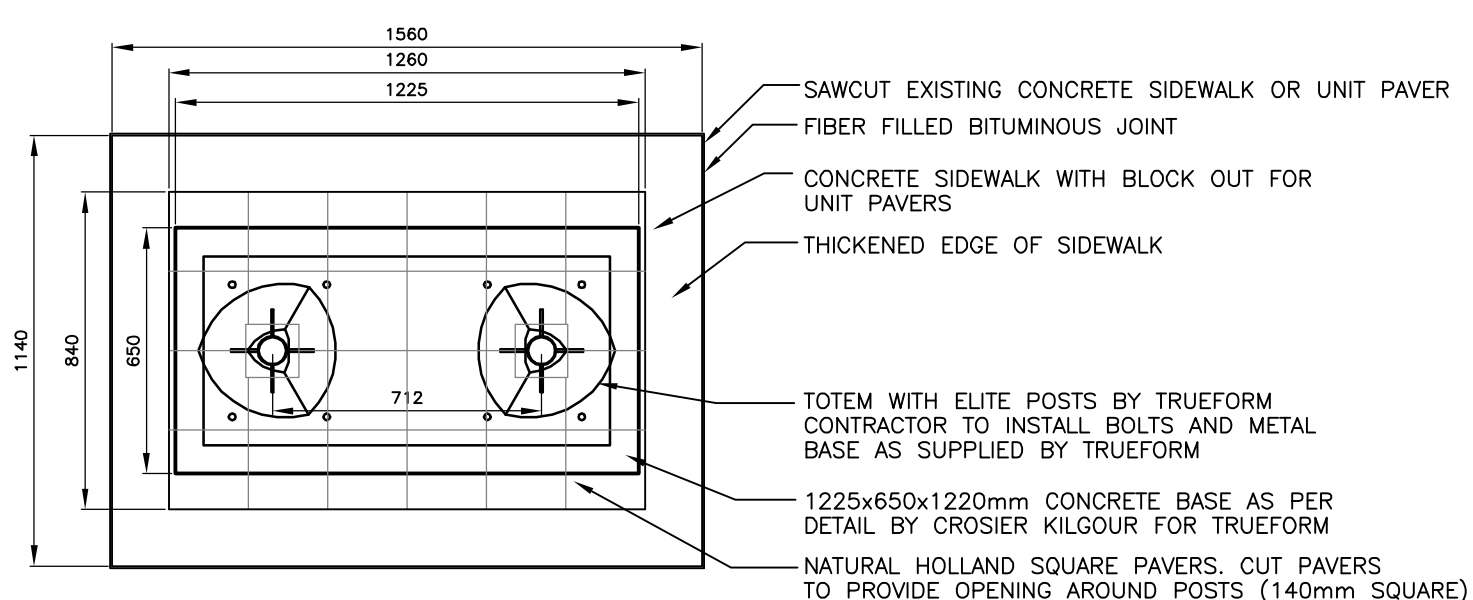
BUS STOP FLAG BASE WITH CONCRETE SIDEWALK & UNIT PAVER INSERT AT UNDERGROUND ROOF DECK
 2
 L1.1 N.T.S.



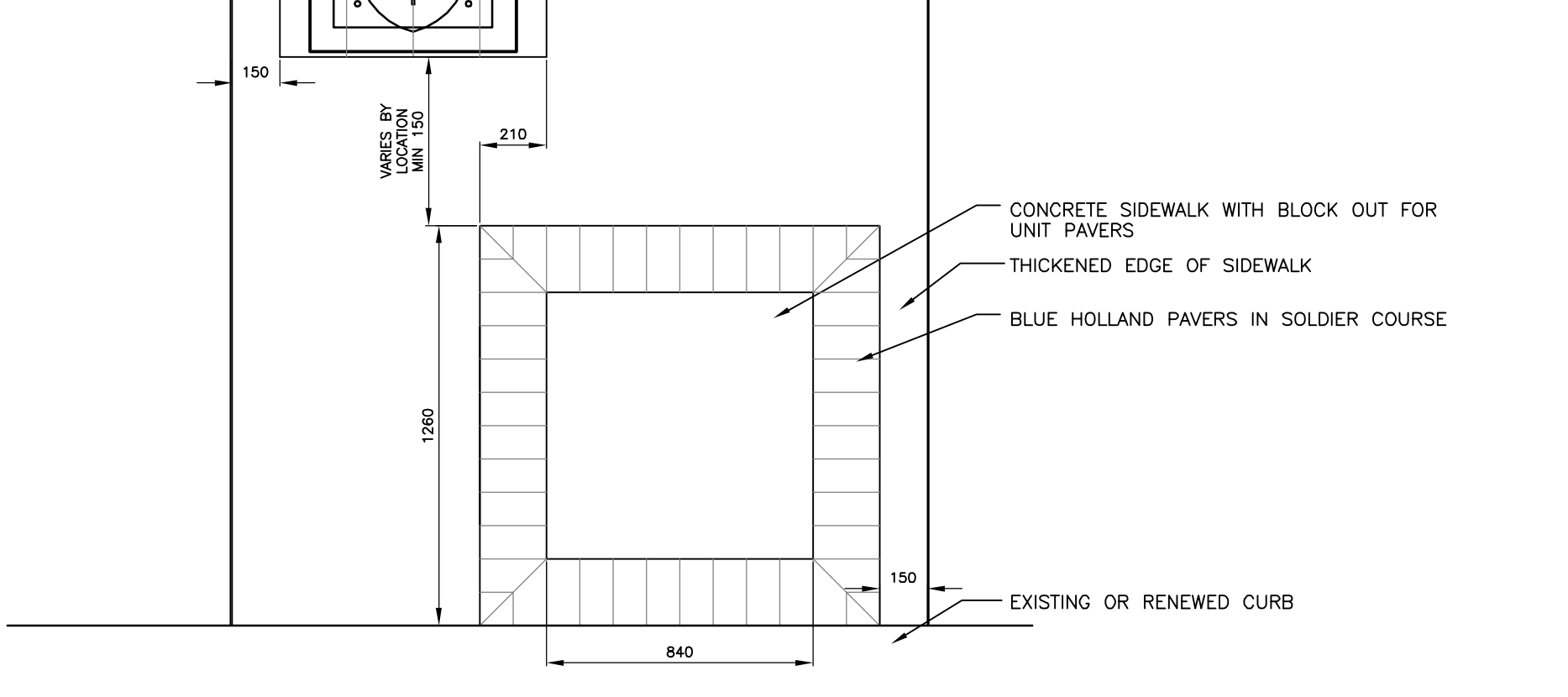
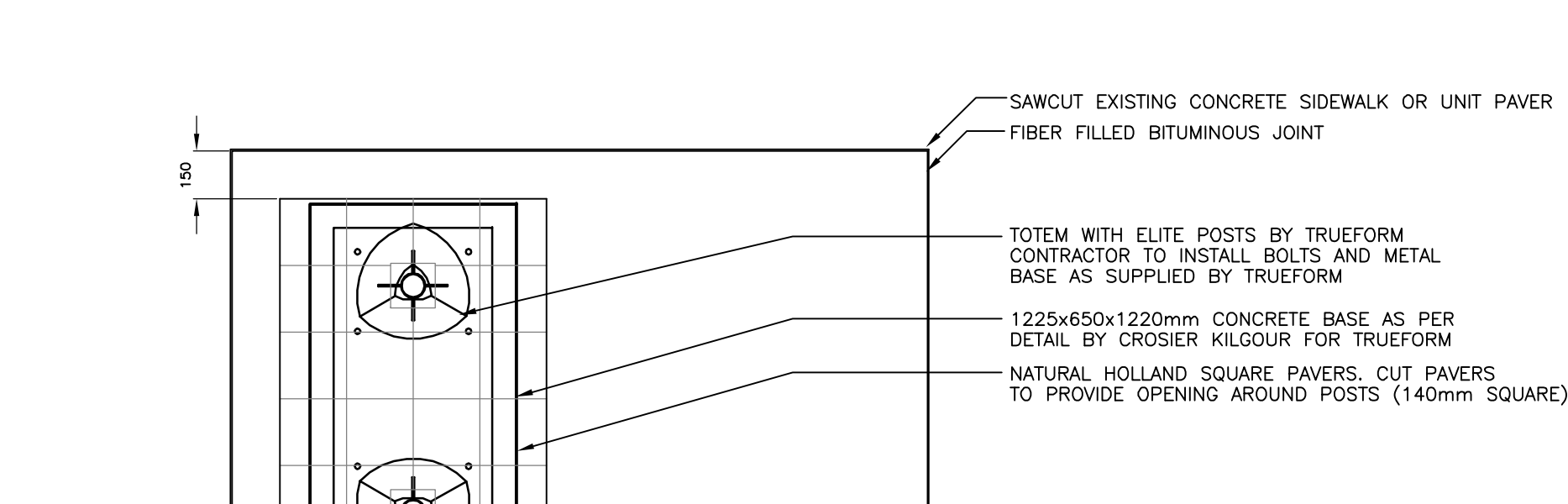
TIP KIOSK BASE IN CONCRETE SIDEWALK
 3
 L1.1 N.T.S.



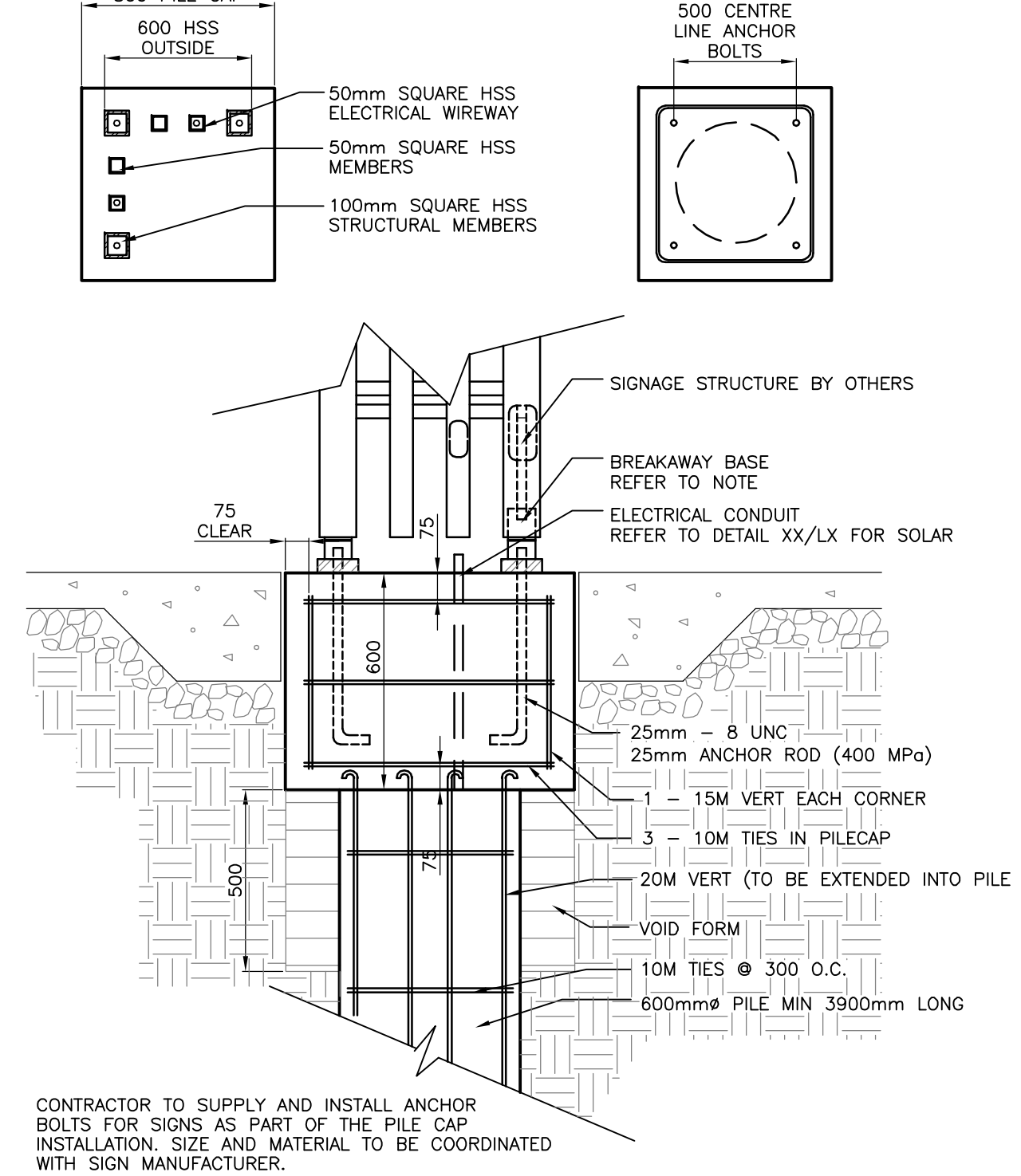
TIP KIOSK BASE IN UNIT PAVER
 4
 L1.1 N.T.S.



TOTEM BASE IN CONCRETE SIDEWALK
 5
 L1.1 N.T.S.



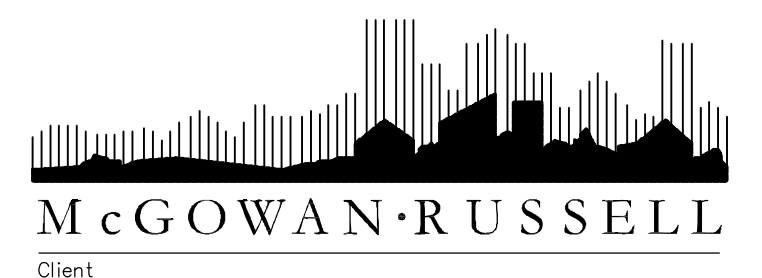
TOTEM BASE IN CONCRETE SIDEWALK WITH UNIT PAVER SQUARE
 6
 L1.1 N.T.S.



CONCRETE PILE AND PILE CAP FOR ILLUMINATED SIGNAGE STRUCTURE
 6
 L1.1 N.T.S.

- GENERAL CONCRETE NOTES**
- ALL DIMENSIONS SHALL BE CHECKED AND VERIFIED PRIOR TO COMMENCING CONSTRUCTION.
 - CONFIRM THE LOCATION OF ALL SUBGRADE SERVICES PRIOR TO COMMENCING SITE WORK.
 - EXCAVATE ALL TOPSOIL, ORGANIC MATERIAL AND LOOSE OR UNSUITABLE FILL TO THE APPROVAL OF THE CONTRACT ADMINISTRATOR.
 - EXCAVATE BELOW SLABS ON FILL TO PROVIDE A MINIMUM OF 150mm OF GRANULAR FILL. FILL SHALL BE COMPACTED TO 95% MODIFIED PROCTOR DENSITY.
 - CONSTRUCTION JOINT LOCATIONS ARE TO BE APPROVED BY THE CONTRACT ADMINISTRATOR.
 - ALL CONCRETE PILES AND BASES TO BE REVIEWED AND APPROVED BY SIGNAGE & SHELTER MANUFACTURERS' STRUCTURAL ENGINEER PRIOR TO CONSTRUCTION. CONTRACTOR TO MAKE ANY CHANGES REQUIRED AT NO EXTRA COST.
- REINFORCING NOTES**
- PERFORM CONCRETE REINFORCING WORK IN 70°C COORDINATE WITH CAN3-A23.3-M84 UNLESS INDICATED OTHERWISE.
 - ALL REINFORCING BARS SHALL BE DEFORMED BARS WITH A MINIMUM SPECIFIED YIELD STRENGTH 400MPa FOR 20M BARS AND 300MPa FOR 15M AND 10M BARS IN ACCORDANCE WITH CAN 630.18 M92.
 - COVER TO REINFORCING: SLABS 50mm CLEAR TOP AND BOTTOM.
 - BEFORE PLACING ENSURE REINFORCING IS CLEAN, FREE OF LOOSE SCALE, DIRT, OR OTHER FOREIGN COATING WHICH WOULD REDUCE THE BOND TO CONCRETE.
 - SHOP DRAWINGS SHALL BE SUBMITTED WHICH CLEARLY INDICATE BAR SIZES, SPACINGS, LOCATIONS AND QUANTITIES OF REINFORCING STEEL AND WIRE FABRIC, BENDING AND CUTTING SCHEDULES, AND SUPPORTING AND SPACING DEVICES FOR REVIEW PRIOR TO FABRICATION OF THE REINFORCING STEEL. DETAIL IN ACCORDANCE WITH THE LATEST ACI DETAILING MANUAL.
- CONCRETE NOTES**
- ALL CONCRETE WORK SHALL BE IN ACCORDANCE WITH CAN3-A23.1-M90 - CONCRETE MATERIALS AND METHODS OF CONCRETE CONSTRUCTION.
 - PROPORTION NORMAL DENSITY CONCRETE IN ACCORDANCE WITH CON-A23.1-M90. REFER TO SPECIFICATION FOR DESIGN MIXES.
 - CONSTRUCT FORMWORK, SHORING AND BRACING TO MEET DESIGN, CODE AND CAN3.A23.1-M90 REQUIREMENTS, ACCURATELY, SO THAT RESULTANT FINISHED CONCRETE CONFORMS TO SHAPES, LINES AND DIMENSIONS INDICATED ON THE DRAWINGS.
 - CONSTRUCTION JOINTS, POUR SCHEDULING AND WORK PROCEDURES SHALL BE DISCUSSED WITH THE CONSULTANT PRIOR TO COMMENCING CONSTRUCTION.
 - FOR COLD WEATHER CONCRETING ALL ICE, SNOW AND FROST SHALL BE REMOVED FROM FORMWORK AND THE TEMPERATURES OF ALL CONTACT SURFACES SHALL BE RAISED ABOVE 10°C FOR 24 HOURS PRIOR TO CASTING CONCRETE. CONCRETE SHALL BE NOT LESS THAN 20°C NOR MORE THAN 30°C FOR 3 DAYS AND NOT LESS THAN 5°C FOR AN ADDITIONAL 4 DAYS.
 - NOTIFY THE CONSULTANT 48 HOURS PRIOR TO POURING CONCRETE.
 - THREE CONCRETE TEST CYLINDERS AND ONE SLUMP TEST SHALL BE TAKEN FOR EVERY 75 CUBIC METRES OF EACH CLASS OF CONCRETE PLACED OR FOR EACH DAY OF CONCRETE PLACEMENT IF THE LATTER IS LESS THAN 75 CUBIC METRES. TESTING SHALL BE PERFORMED IN ACCORDANCE WITH CAN3-A23.1-M90.

No.	Revisions	Date	By
15-02-08	AS NOTED		
Designed By	Drawn By	Checked By	
JW	JW	SR	



Client
WINNIPEG TRANSIT
 Project Title
BUS STOP UPGRADE PROGRAM PHASE 3 SITE WORKS

Sheet Title
DETAILS

Project No. 06-029 Drawing No. L2.1