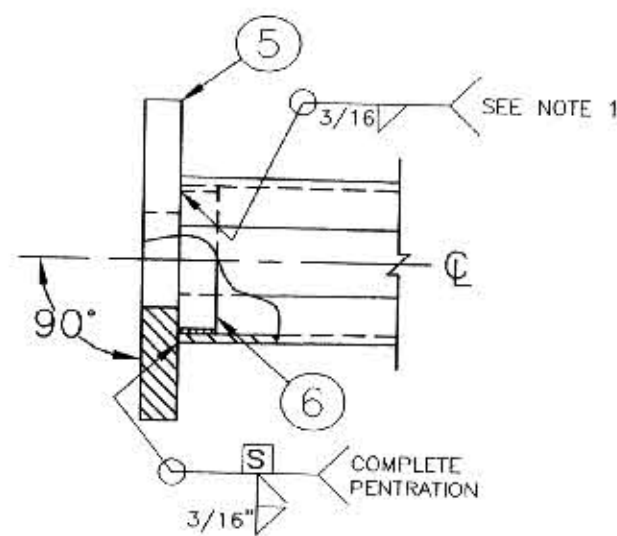
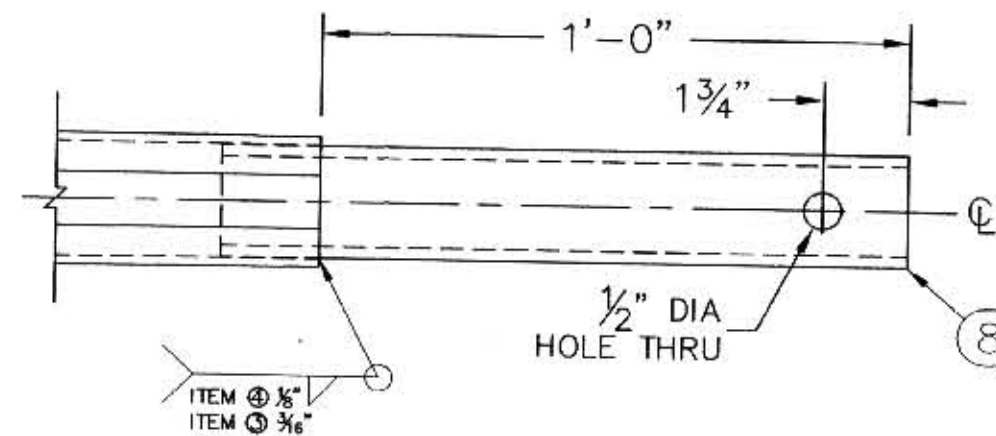


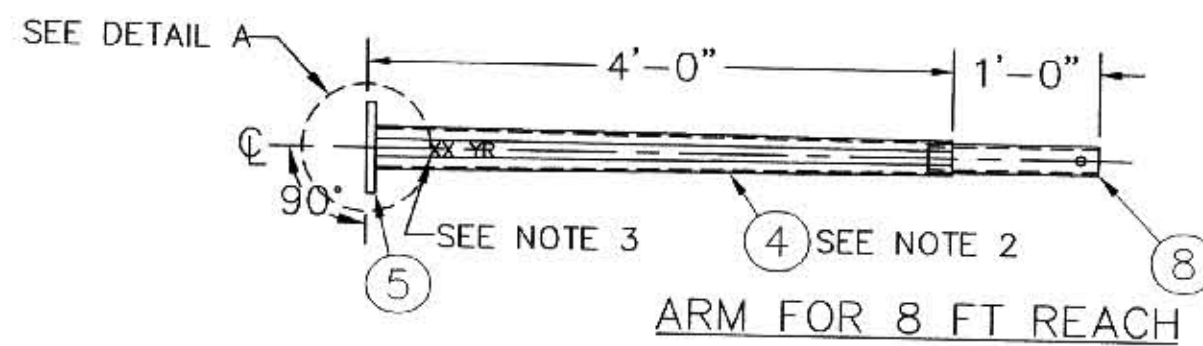
FLANGE DETAIL



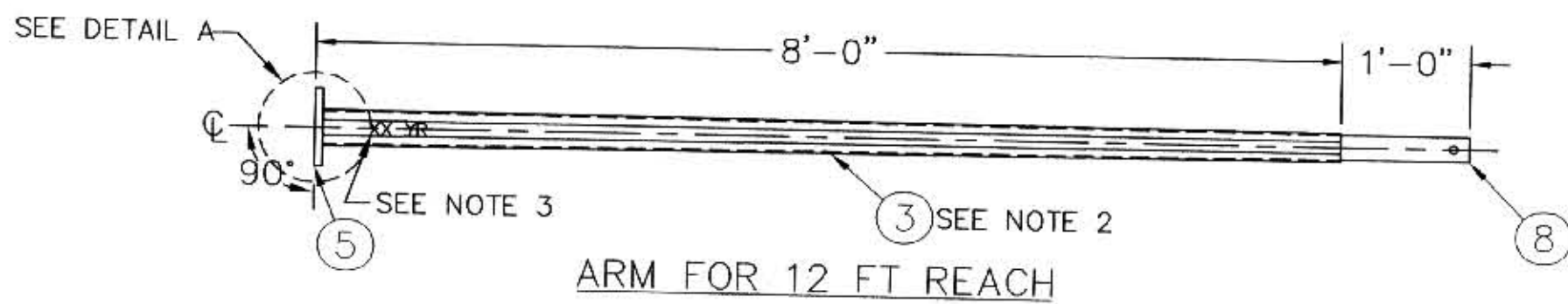
DETAIL A



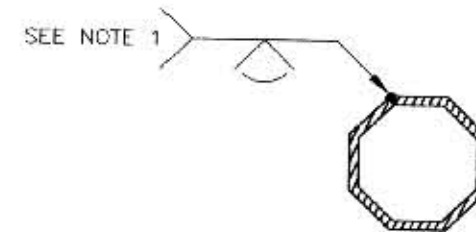
TENON DETAIL



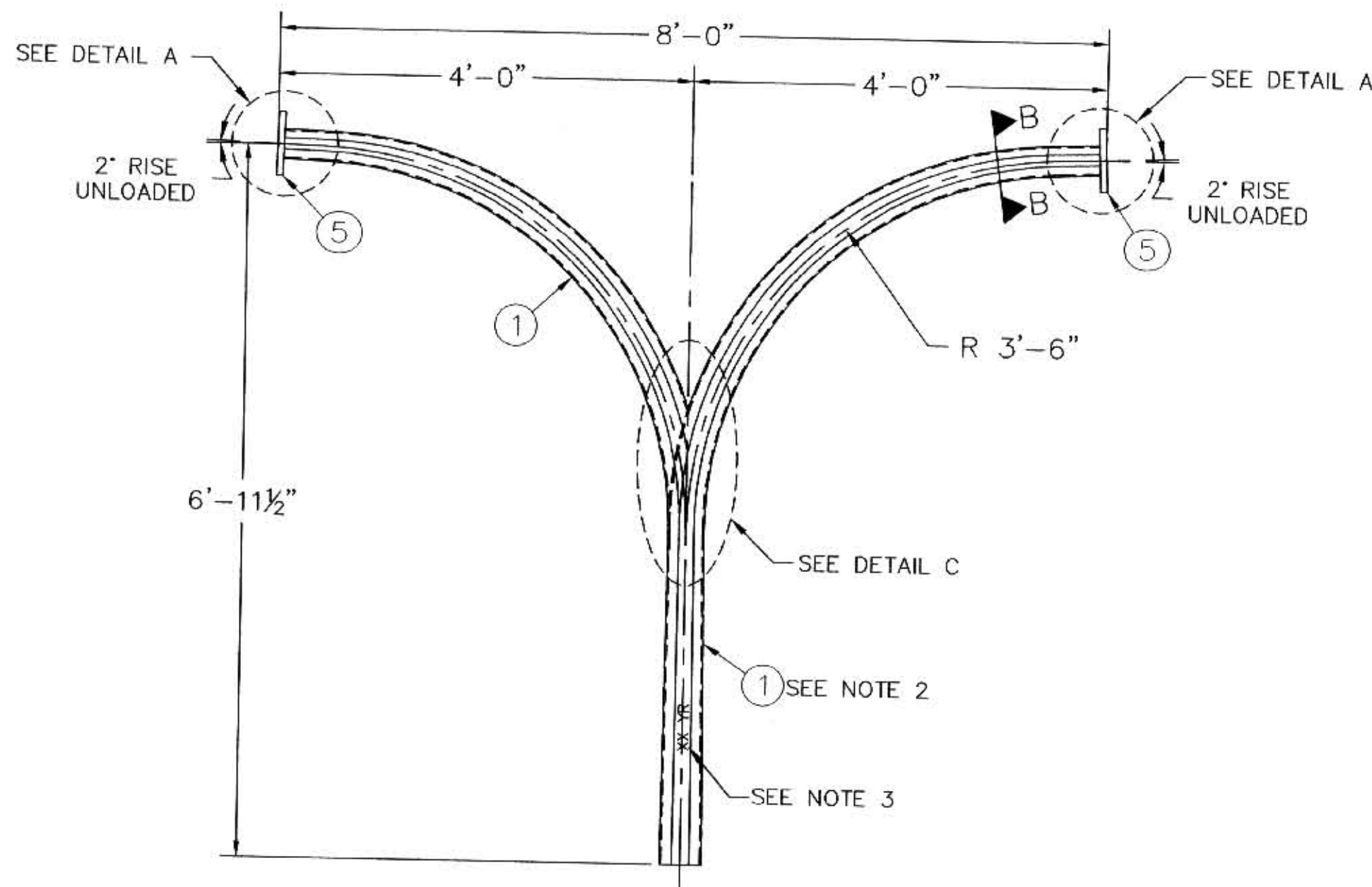
ARM FOR 8 FT REACH



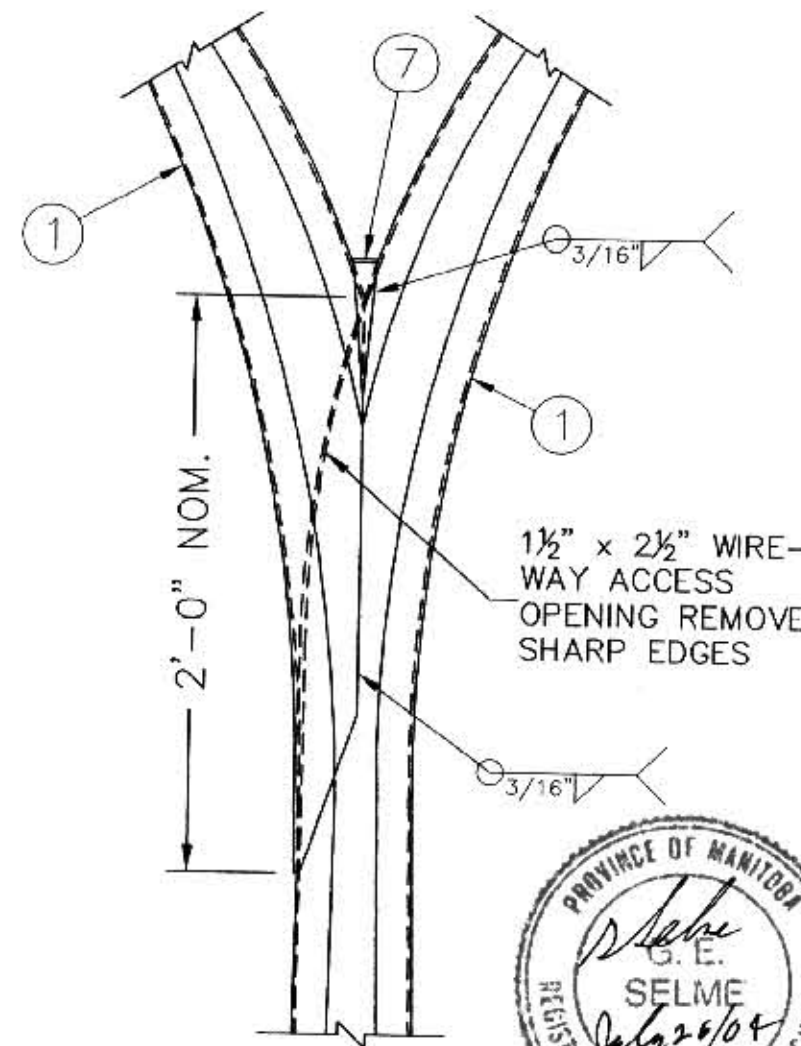
ARM FOR 12 FT REACH



SECTION B-B



DOUBLE DAVIT FOR 8 FT OR 12 FT REACH ARMS



DETAIL "C"

ITEM No.	No. REQ'D	DESCRIPTION	MATERIAL	DWG No.
1	2	OCT. SECT. DAVIT 4 7/8" A/F TO 3 9/16" A/F EXTERIOR DIM.	7 GA. A570 GR.50	
2	8	BOLT 3/4"-10 UNC x 3" LONG	SAE GR.5. c/w 1 FLAT WASHER, 1 HEAVY HEX NUT & 1 HEAVY JAM NUT, GALVD	
3	2	8 FT. OCT SECT ARM 3 9/16" A/F TO 2 7/8" A/F EXT. DIM.	7 GA. A570 GR.50	
4	or 2	4 FT. OCT SECT ARM 3 9/16" A/F TO 2 3/4" A/F EXT. DIM.	11 GA. A570 GR.50	
5	4	FLANGE 6 3/4" SQUARE	3/4" PL. G40.21 44W	
6	4	BACKUP STRIP 1" x LENGTH TO SUIT	7 GA. A570 GR.50	
7	1	RE-INFORCING STRIP SIZE TO SUIT	7 GA. A570 GR.50	
8	2	TENON 2" IPS (2 3/8" OD) x 14" LONG.	A53 GR.B SCHED.40	

FINISH:

HOT DIP GALVANIZE TO CSA STANDARD G164-M92 TO NET MINIMUM RETENTION OF 600 g/m²
 ALL AREAS OF DAMAGED GALVANIZING SHALL BE REPAIRED WITH SELF FLUXING LOW TEMPERATURE ZINC BASED ALLOY ROD. USE OF SPRAY ON COATINGS IS NOT ACCEPTABLE.

NOTES:

1. WELDING

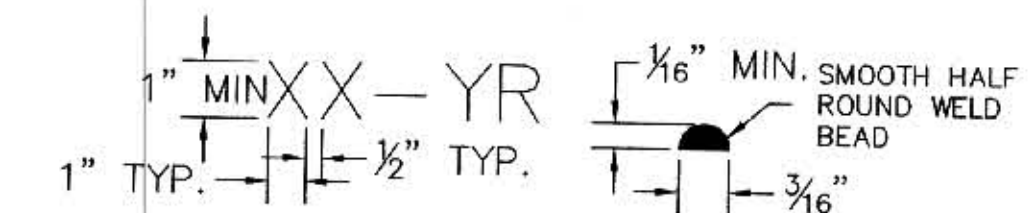
ALL WELDING SHALL CONFORM TO CSA STANDARD W59. FABRICATOR SHALL BE FULLY APPROVED BY THE CANADIAN WELDING BUREAU AS PER CSA STANDARD W47.1. LONGITUDINAL SEAM WELD SHALL HAVE 60% MINIMUM PENETRATION EXCEPT 4 1/2" FROM LOWER END OF DAVIT AND 3" FROM EACH FLANGE SHALL BE COMPLETE PENETRATION. THE START AND END OF COMPLETE PENETRATION LONGITUDINAL SEAM WELD SECTIONS SHALL BE SMOOTH AND FREE OF NOTCHES OR OTHER WELD DEFECTS. THE LONGITUDINAL SEAM WELD IN ITEM 1 DAVIT SECTIONS SHALL BE ADJACENT TO THE FLAT WHICH IS OUTERMOST FLAT THROUGH THE BEND. BACKUP STRIP AT ARM TO FLANGE AND DAVIT TO FLANGE CONNECTION SHALL HAVE CONTINUOUS FILLET WELD AROUND INTERIOR FACE OF BACKUP STRIP.

2. TOLERANCES

ALL ACROSS FLATS (A/F) ARE EXTERIOR DIMENSIONS. THE BOTTOM OF DAVIT SHALL BE 4 7/8" +0", -1/8", THE DAVIT AT FLANGE AND ARM AT FLANGE SHALL BE 3 9/16" +0", -1/8". AT TENON END OF 8 FT. ARM IT SHALL BE 2 7/8" +0", -1/8" A/F AND AT END OF 4 FT. ARM IT SHALL BE 2 3/4" +0", -1/8".

3. IDENTIFICATION

WELD IDENTIFICATION CODE XX-YR ON DAVIT ARM AT 12" TO 18" FROM BOTTOM AND ON ARM WITHIN 12" FROM FLANGE. XX IS THE POLE MANUFACTURERS CODE AND YR IS THE LAST TWO DIGITS OF YEAR OF MANUFACTURE.



4. LOADING AND DESIGN CRITERIA SHOWN ON SHEET 2 OF DRAWING ST-161.

REV. No.	DATE	REVISIONS	APPROVED
1	JUNE 21 2004	REDRAWN	

THE CITY OF WINNIPEG
 PUBLIC WORKS DEPARTMENT
 TRANSPORTATION DIVISION

GES ENGINEERING INC.
 CALGARY, AB. PHONE (403) 240-2921 FAX (403) 240-3713

TRAFFIC SIGNAL LIGHT DUTY DOUBLE DAVIT
 ARMS OF 8 FT AND 12 FT REACH

DESIGNED AND APPROVED <i>D. Selme</i>	DRAWN G.G.	DWG No. ST-136
DATE July 23, 2004	DATE JUNE 21, 2004	SCALE NTS
		SHEET 1 OF 1
		REV. No. 1

