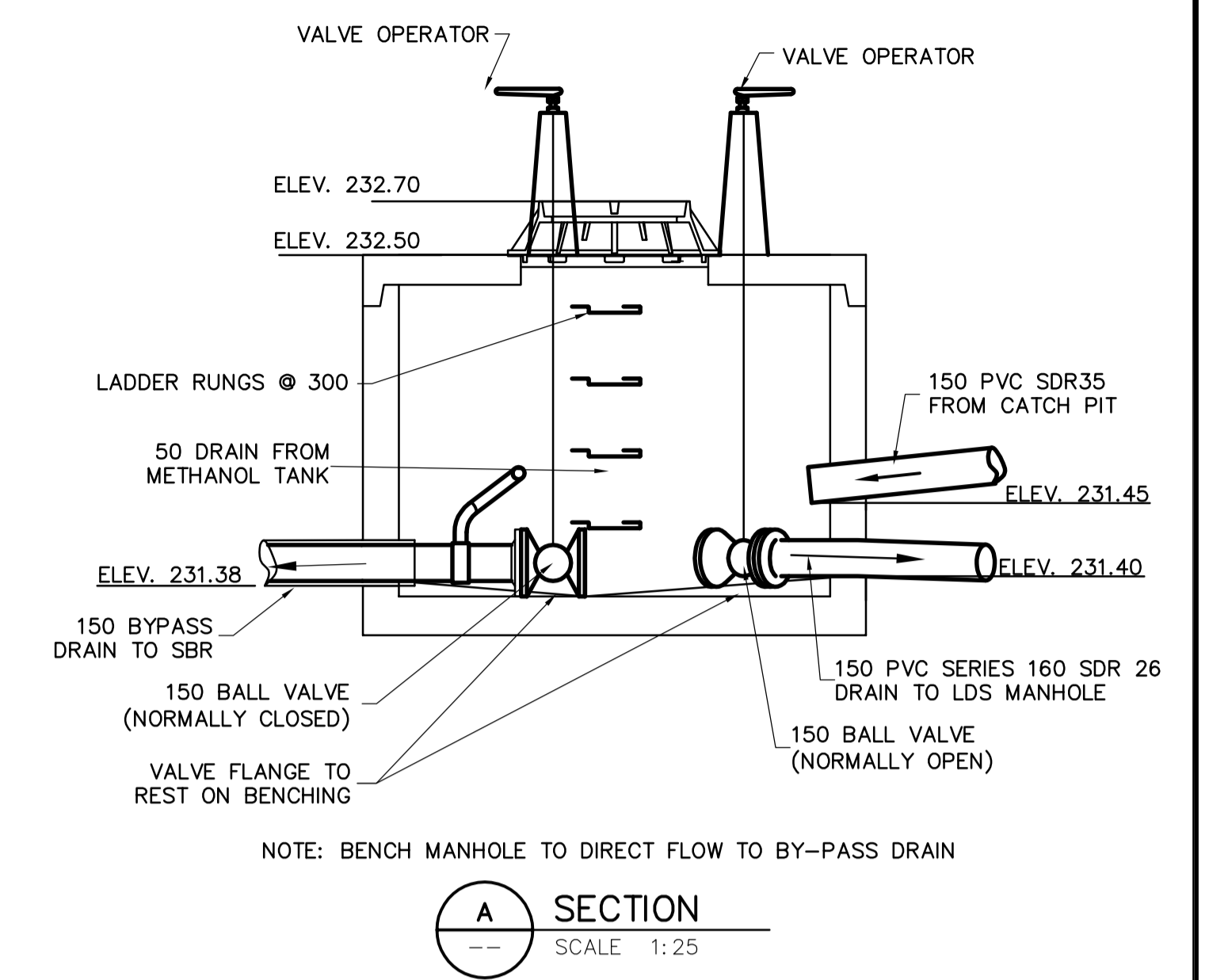
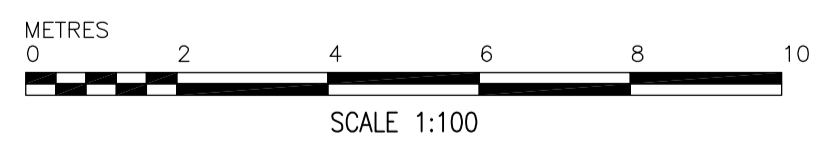
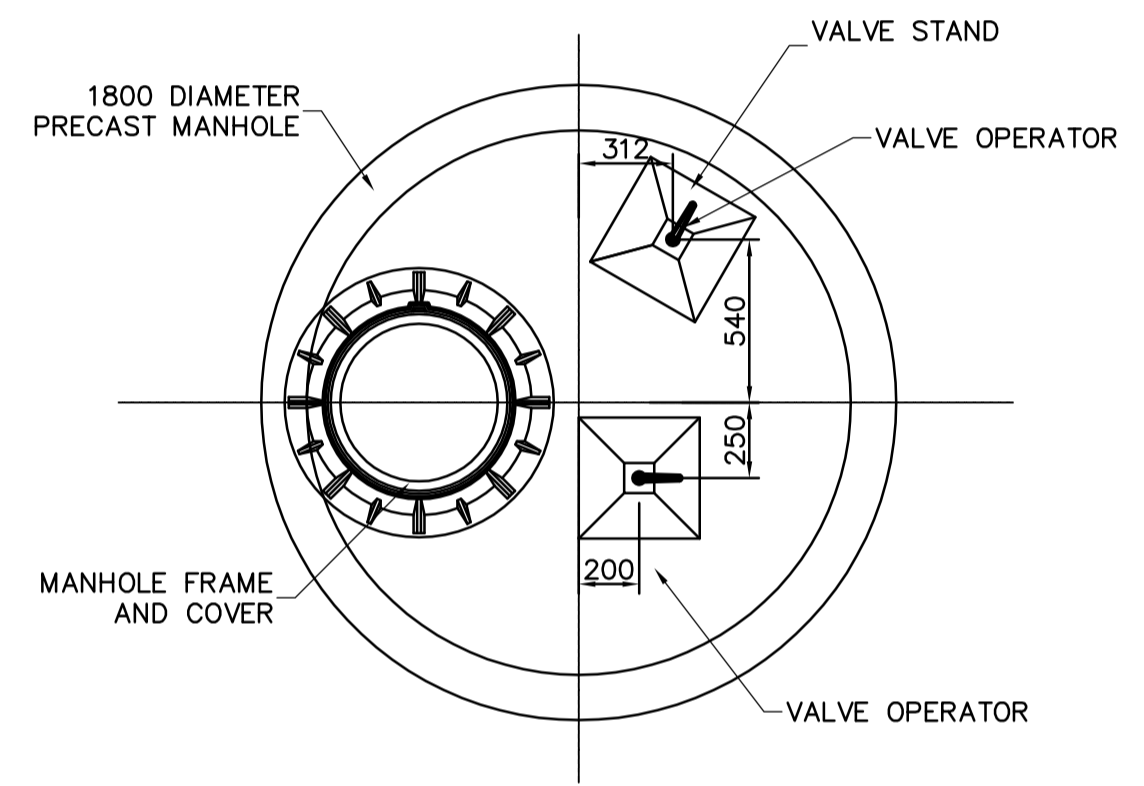


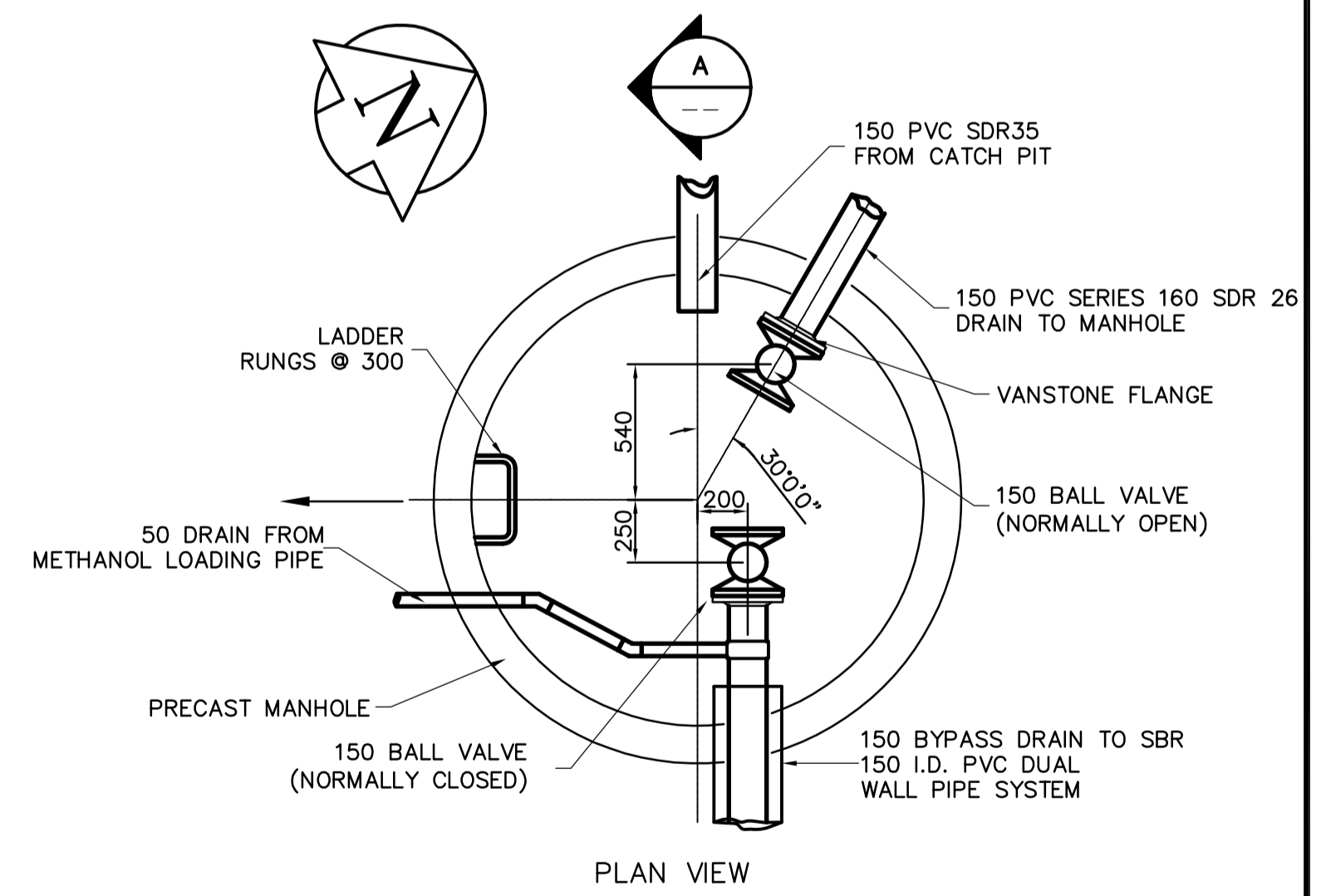
1 PLAN
C2.02 SCALE 1:100



A SECTION
SCALE 1:25



ROOF PLAN
SCALE 1:25



1 VALVE CHAMBER
SCALE 1:25

- CONSTRUCTION NOTES:
1. ALL WORK AND MATERIALS SHALL CONFORM TO THE CITY OF WINNIPEG STANDARD CONSTRUCTION SPECIFICATIONS.
 2. RESTORE ALL SURFACES TO A CONDITION EQUAL TO OR BETTER THAN ORIGINAL CONDITION.

INFORMATION ONLY

150 mm WM	WATERMAIN	150 mm WM	HYDRO	HYDRO	LIGHT STANDARD
◇	HYDRANT	+	M.T.S.	●	BOLLARD
⊙	VALVE	⊙	CONCRETE	■	FIRE EXTINGUISHER
⊙	LAND DRAINAGE SEWER	⊙	ASPHALT	■	CURB STOP
⊙	WASTEWATER SEWER	⊙	PROPERTY LINE	■	TREATED CENTRATE
○	MANHOLE	⊙	TEST HOLES	⊙	@ RAILWAY TRACK
□	CATCH BASIN	⊙	ELEVATION	⊙	DITCH
▽	CURB INLET	⊙	TREE	⊙	RAS
⊙	JUNCTIONS	⊙	ANODE	⊙	WAS
⊙	CULVERT	⊙	CONCRETE SIDEWALK	⊙	FW
⊙	GAS	⊙	FENCE	⊙	CENTRATE
---	EXISTING	---	LEGEND - PLAN	---	EXISTING
---	LEGEND - PLAN	---	PROPOSED	---	LEGEND - PLAN
---	PROPOSED	---	EXISTING	---	LEGEND - PLAN

APEGM
Certificate of Authorization
Earth Tech Canada Inc.
No. 730 Expiry: April 30, 2007

13-027	W. side Main St. on the grounds of the North End B.M. Treatment Plant, Tblt. on top of Conc. pit in front of ELEV. bldg., 22.3m E. of line of most Ely. wall & 32.8m S. of most Nly. wall of main bldg. (ties to 101.) ELEV. = 231.261m
02	291-2006 CGN 11 07/09/18 LAE
01	ISSUED FOR CONSTRUCTION 06/08/30 GLG
00	ISSUED FOR TENDER 06/05/15 FC
NO.	REVISIONS
	DATE BY
	DATE 2006/01/16
	DATE 2006/05/15

EarthTech
A Tyco International Ltd. Company

DESIGNED BY	GSK	CHECKED BY	KWF
DRAWN BY	FC	APPROVED BY	JEH
SCALE:	1:100	RELEASED FOR CONSTRUCTION BY:	K. MARTENS
DATE	2006/01/16	DATE	2006/05/15

ENGINEER'S SEAL
ORIGINAL SIGNED BY
K.W. FITCHETT
2006/05/15
CONSULTANT DRAWING NO.
C2.02

THE CITY OF WINNIPEG
WATER AND WASTE DEPARTMENT
ENGINEERING DIVISION
NEWPCC CENTRATE NUTRIENT TREATMENT
NITROGEN REMOVAL FACILITY
CIVIL
PART PLAN AND DETAILS
CHEMICAL UNLOADING AREAS
CITY FILE NUMBER
SHEET OF
CITY DRAWING NUMBER
1-0101C-D-C0004-001-020