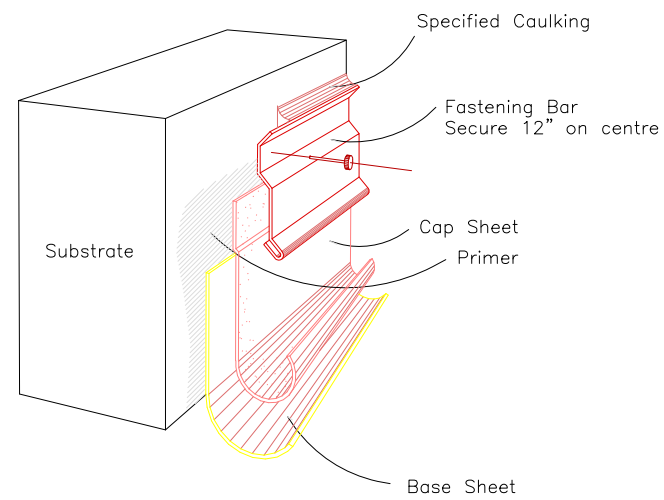
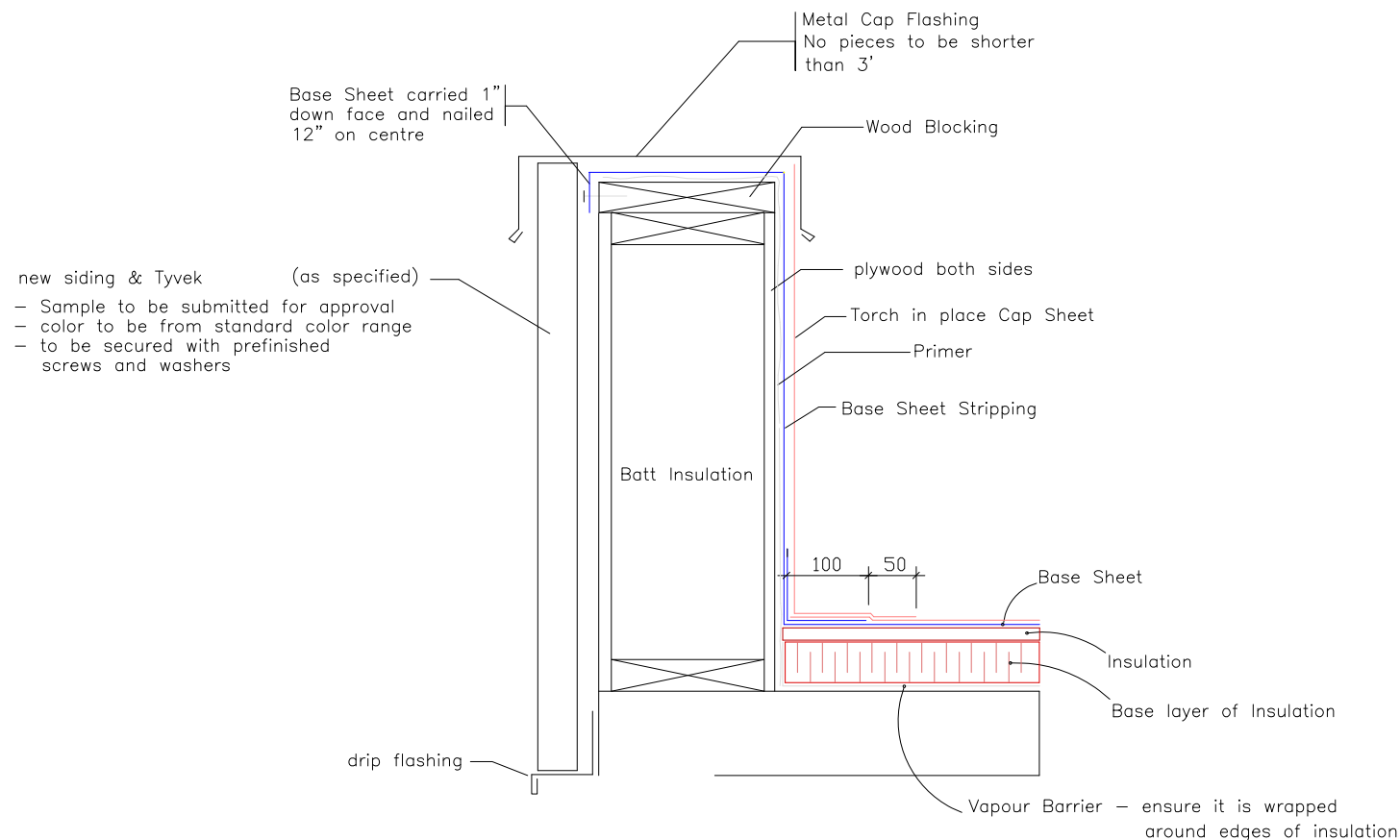


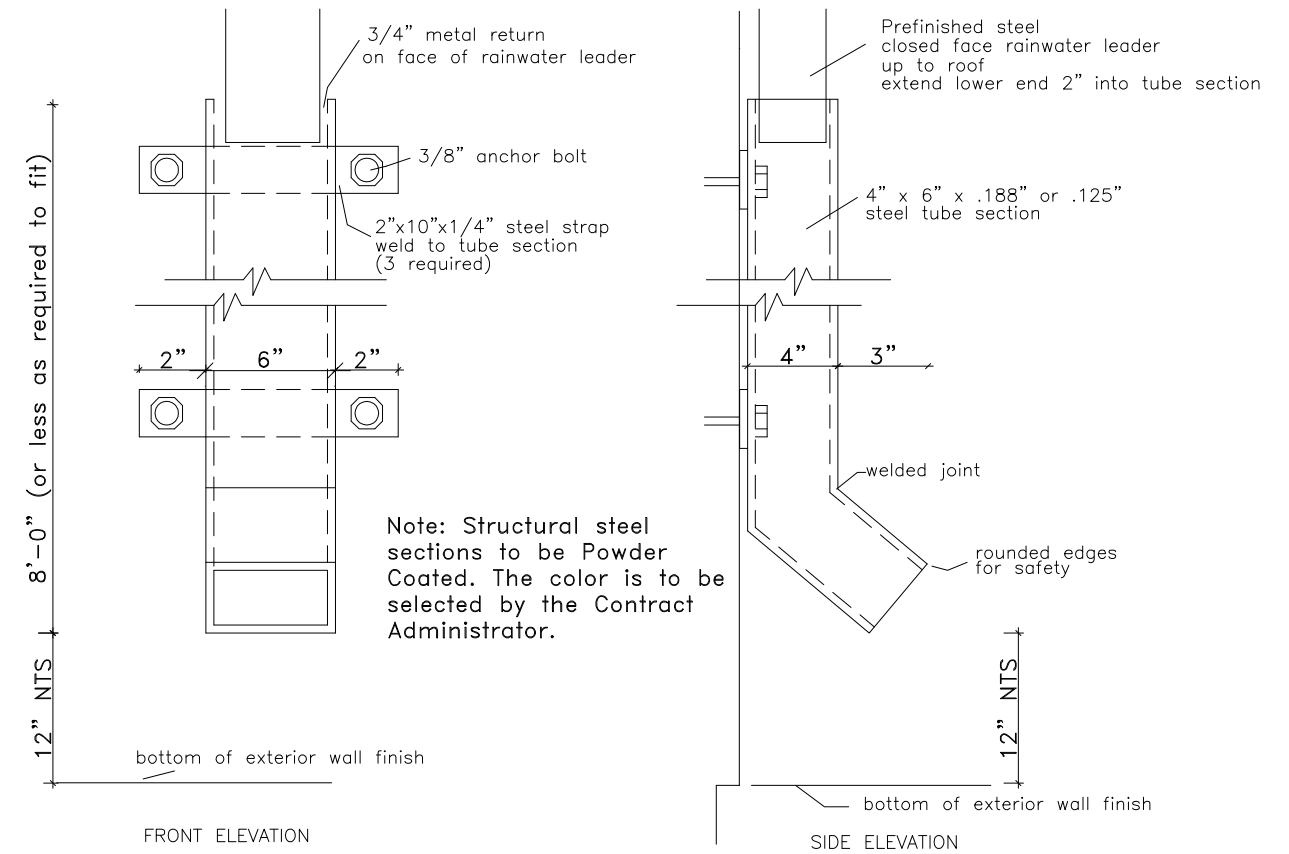
# Typical Fastening Bar



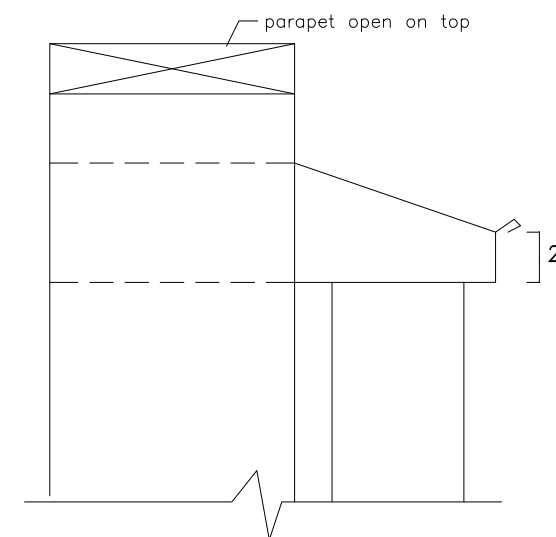
# Typical Parapet Construction



# Structural Down Pipes



# Typical Scupper



Notes:  
 Scupper shall be 4 sided through parapet  
 Scupper shall be minimum 8" wide x 6" high

Note: Details are to be similar for inverted roof assemblies

<b>AGASSIZ CONSULTING GROUP</b>	
809 Pipeline Road, Winnipeg, Manitoba Phone: 697-8091 Fax: 697-8039	
Project:	Roland Michener Arena 1121 Wabasha Winnipeg, MB
Date:	January 30, 2008
Drawing No.	D-1
File no:	3617-08
Scale:	N.T.S.