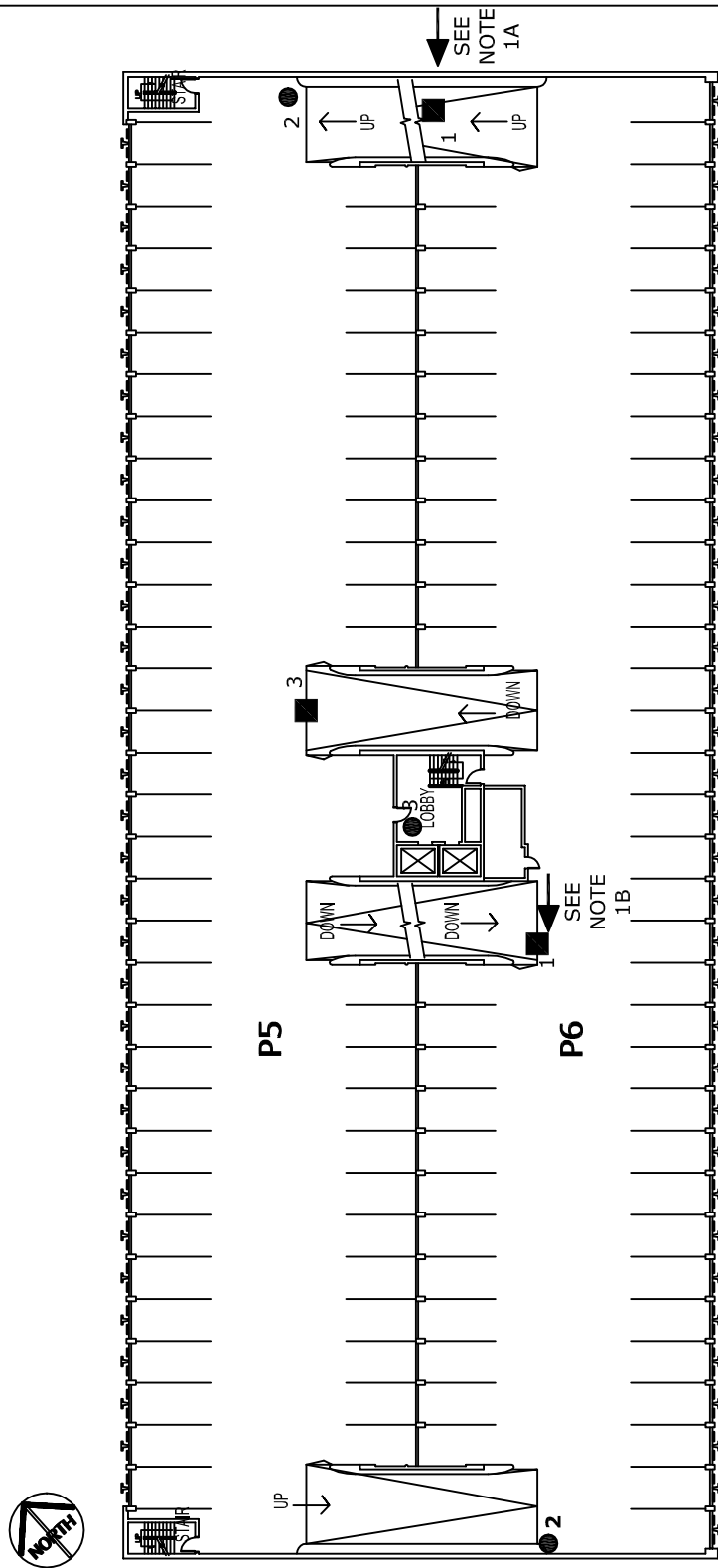


CIVIC PARKADE - 171 PRINCESS STREET
LEVEL P5 & P6
NETWORK VIDEO SURVEILLANCE



LEGENDS:
 ■ - FIXED DOME CAMERA
 ● - PAN TILT ZOOM CAMERA

NOTE:
 - NUMBER NEXT TO CAMERA DENOTE PROJECT PHASES.

NOTE 1:
 A - ENTRY GATE RAMP TO SECURE LEVELS.
 B - P6 EXIT RAMP FROM SECURE LEVELS.

REV NO.	DATE	REVISION	BY	CHKD	APPD

CITY OF WINNIPEG - WINNIPEG PARKING AUTHORITY
 CIVIC PARKADE - 171 PRINCESS STREET
 LEVEL THREE
 VIDEO SYSTEM ARRANGEMENT DIAGRAM

DRN: S. GUERRERO	DATE: 07.06.06	 CITY OF WINNIPEG CORPORATE - IT COMMUNICATIONS SYSTEMS BR. 421 OSBORNE STREET, RADIO SHOP
CHK:	DATE:	
APPD:	DATE:	
PROJECT NUMBER:		SCALE:
DRAWING NUMBER: 1069-vY041-A4-A1		SHT 3 OF 4 REV 0