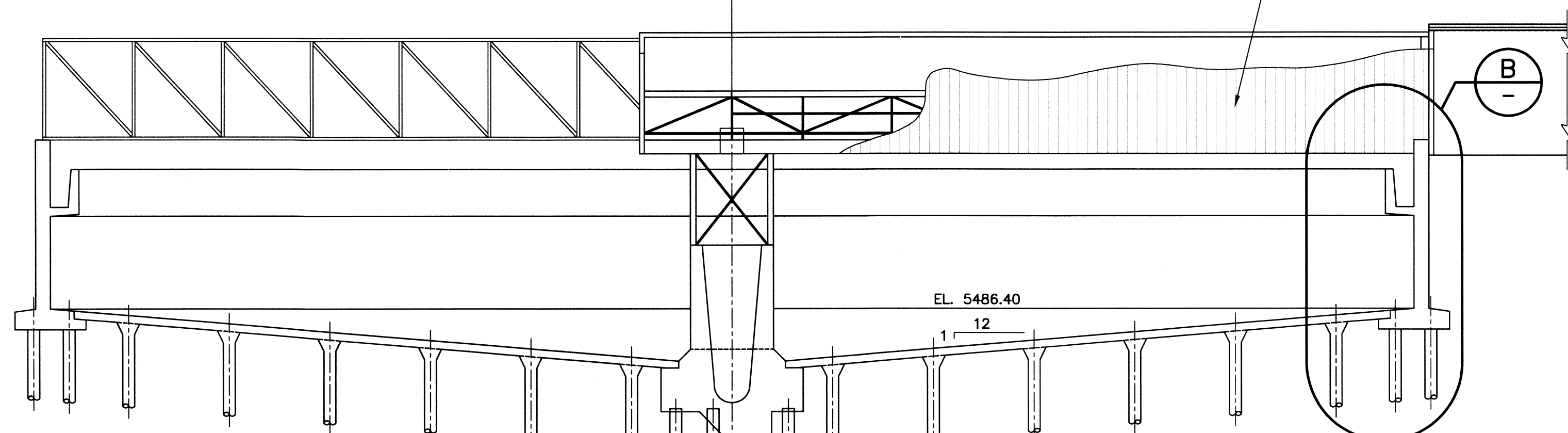
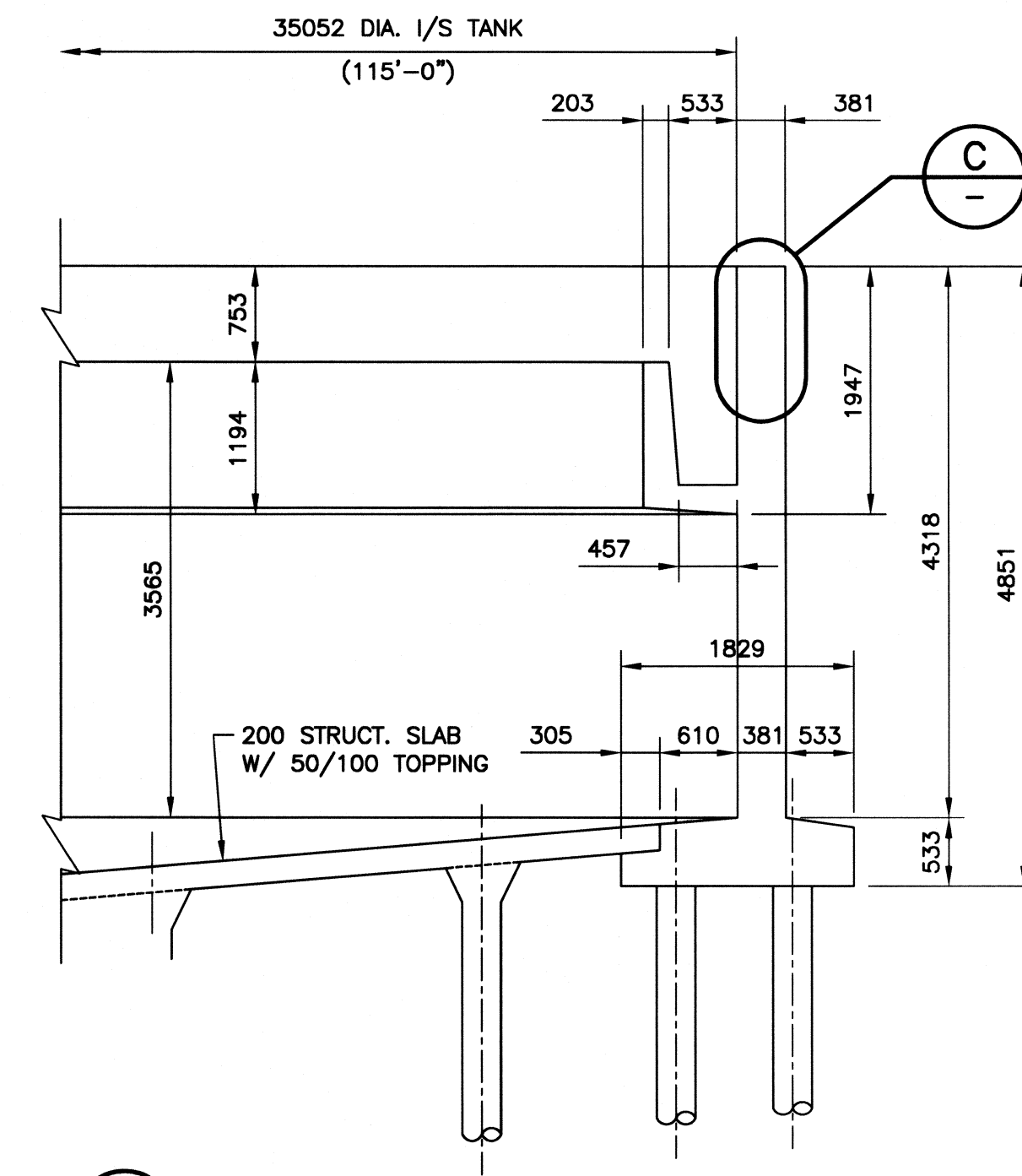


PLAN  
SCALE: 1:200

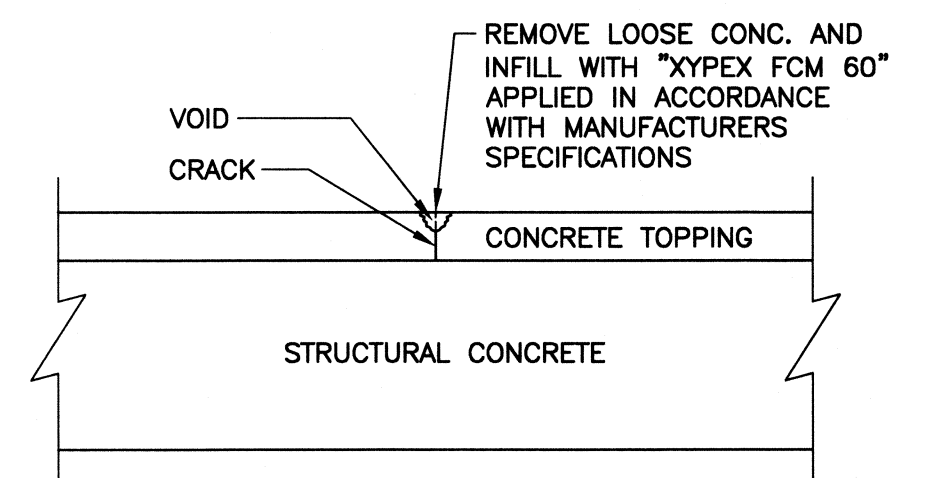


A SECTION  
SCALE: 1:200

- ITEM A**  
WALKWAY ENCLOSURE REHABILITATION  
(SEE DWG C0005 FOR SECTIONS AND DETAILS)
- LIFT FROM CLARIFIER PRIOR TO INSTALLING NEW MECHANISM
  - REMOVE WALL CLADDING, ROOFING AND ROOF METAL DECK
  - SANDBLAST STRUCTURAL STEEL, PROVIDE NEW ATTACHMENTS FOR MECHANISM AS REQUIRED, RECOAT STEEL-REF. PAINT SPEC. SECTION 099719 (NOTE: PAINT SAMPLES FROM TRUSS MEMBERS HAVE BEEN TESTED AND THE EXISTING PAINT SHOULD BE CONSIDERED LEAD BASED)
  - LIFT TRUSS BACK INTO PLACE
  - PROVIDE NEW INSULATED WALL PANELS AND ROOF DECKING, INSULATION AND MEMBRANE

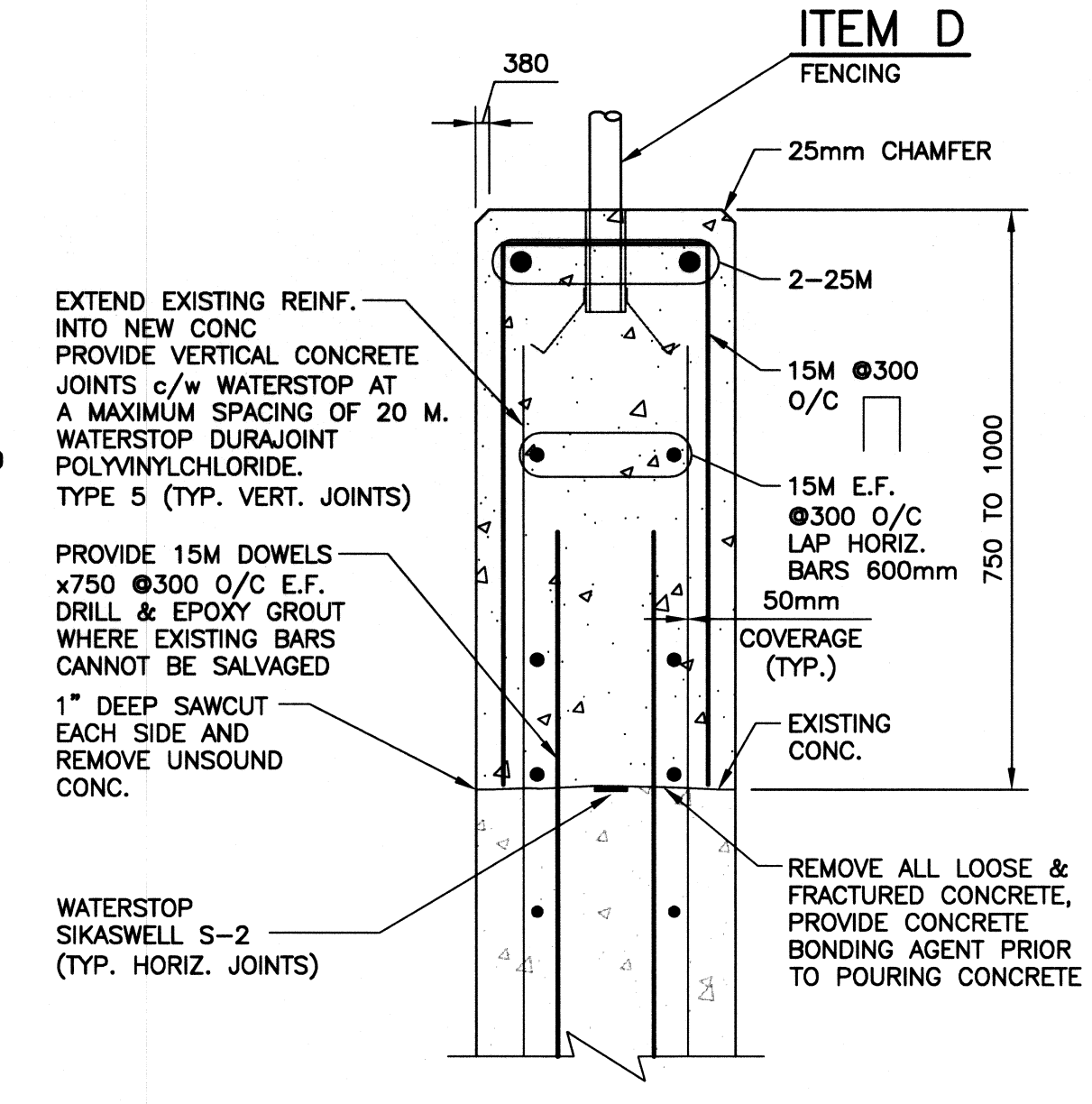


B DETAIL  
SCALE: 1:100

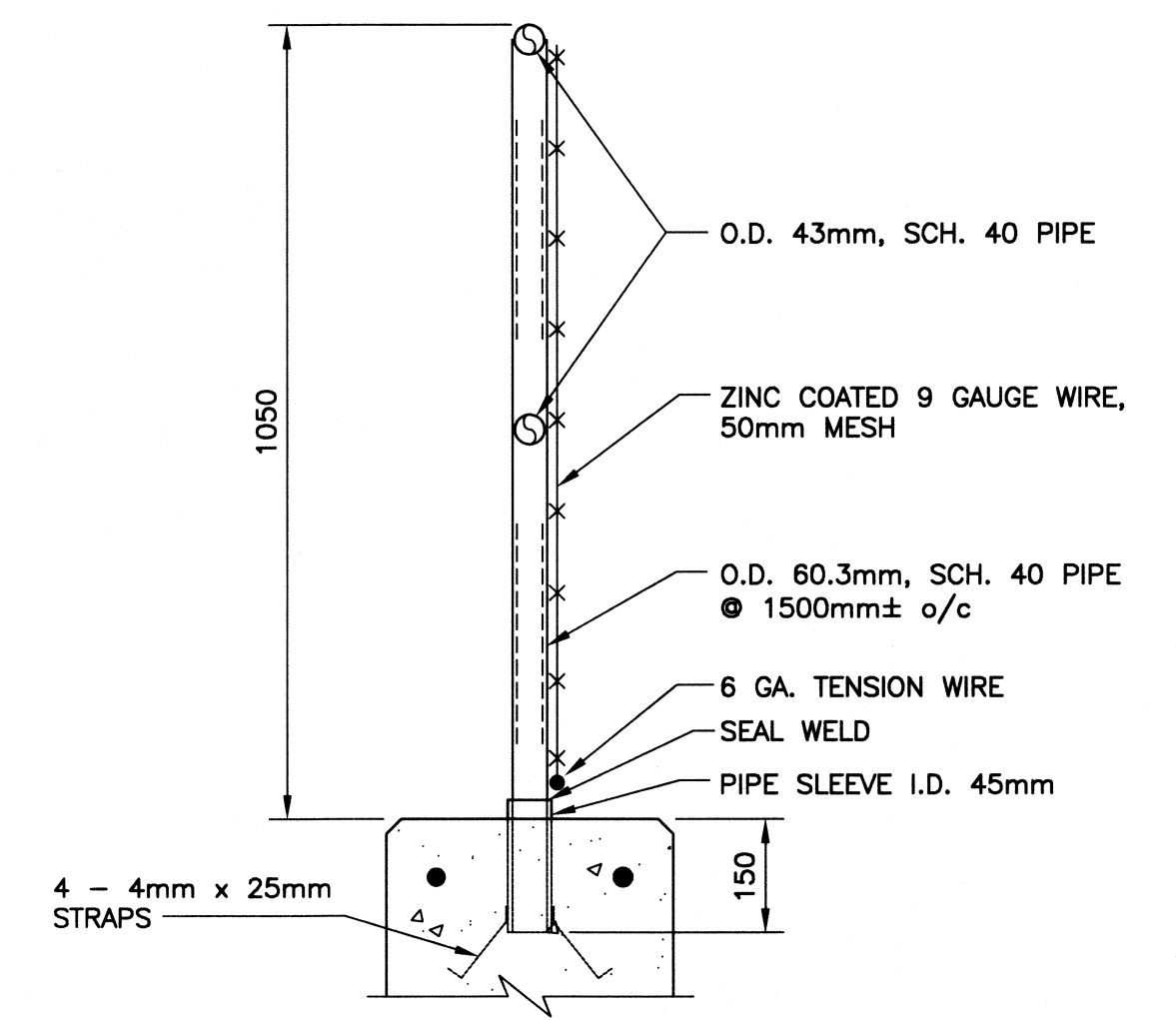


NOTE: FOR PRICING ASSUME 300 LINEAL METRES OF CRACK REPAIR PER CLARIFIER #1 AND #2.

D ITEM C  
FLOOR CRACK REPAIR DETAIL  
SCALE: 1:20



C ITEM B. CONC. REPAIR DETAIL  
SCALE: 1:20



NOTE: FOR PRICING ASSUME AVERAGE HEIGHT OF 900mm FOR FULL CIRCUMFERENCE OF TANK

**ITEM D**  
FENCING

- CHAIN LINK FENCING AS PER CITY SPEC. CW 3550
- ALL COMPONENTS GALVANIZED
- PROVIDE 2000mm WIDE ACCESS GATE - LOCATION TO BE DETERMINED ON SITE.

COWLEGGEND

**APEGM**  
Certificate of Authorization  
KGS Group  
No. 245 Date:

B.M. ELEV.			
0	ISSUED FOR TENDER	13/02/08	R.J.L.
NO.	REVISIONS	DATE	BY

<b>KGS GROUP</b> CONSULTING ENGINEERS & PROJECT MANAGERS		<b>CH2MHILL</b>	
DRAWN BY: JG/MB		APPROVED BY:	
HOR. SCALE: AS SHOWN		RELEASED FOR CONSTRUCTION:	
VERTICAL:		DATE: 08/06	

ENGINEER'S SEAL  
R.J. LONG  
CONSULTANT DRAWING NO.  
1-0101P-C0003-001

<b>THE CITY OF WINNIPEG</b> WATER AND WASTE DEPARTMENT		
SHEET OF: 01 OF 01	KGS JOB NUMBER: 06-0107-03	
CITY DRAWING NUMBER: 1-0101P-C0003-001		