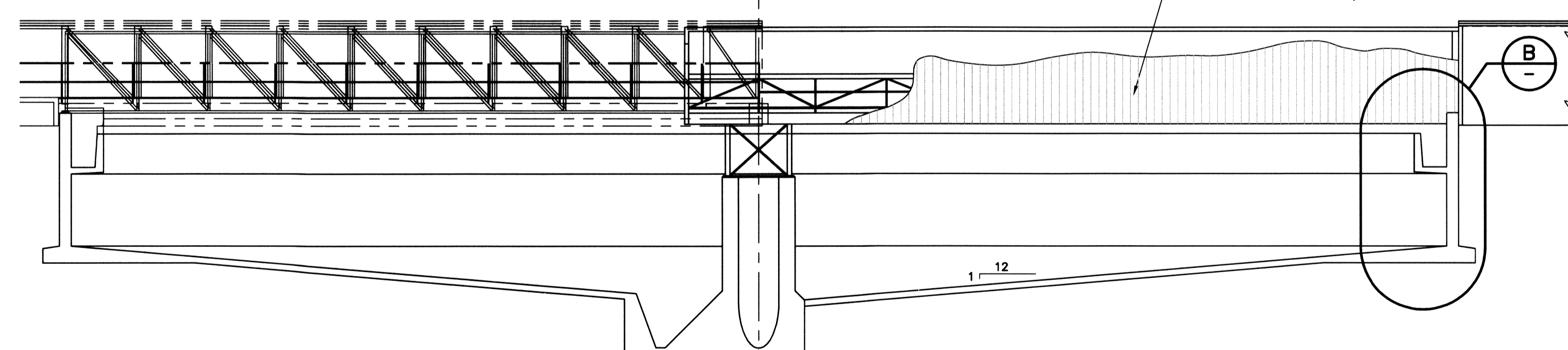
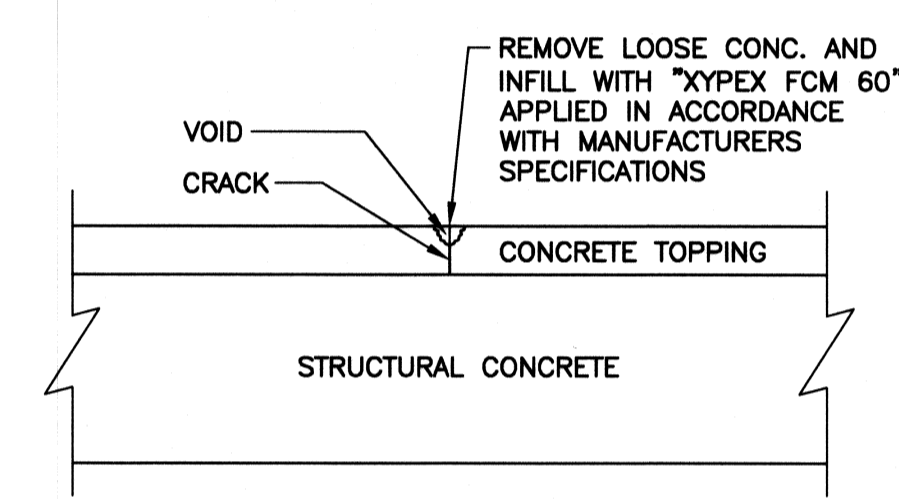
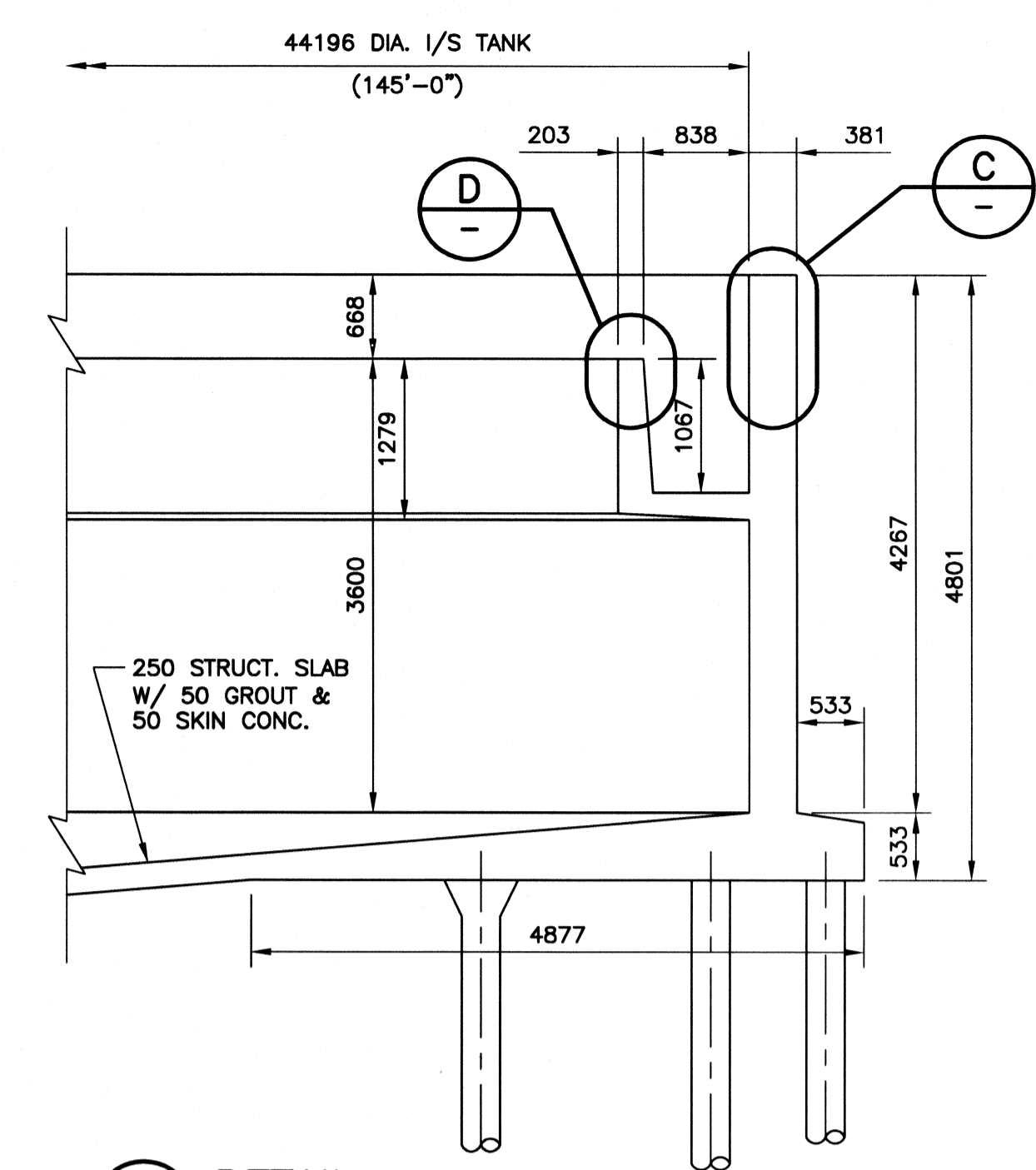


**A** SECTION  
SCALE: 1:200

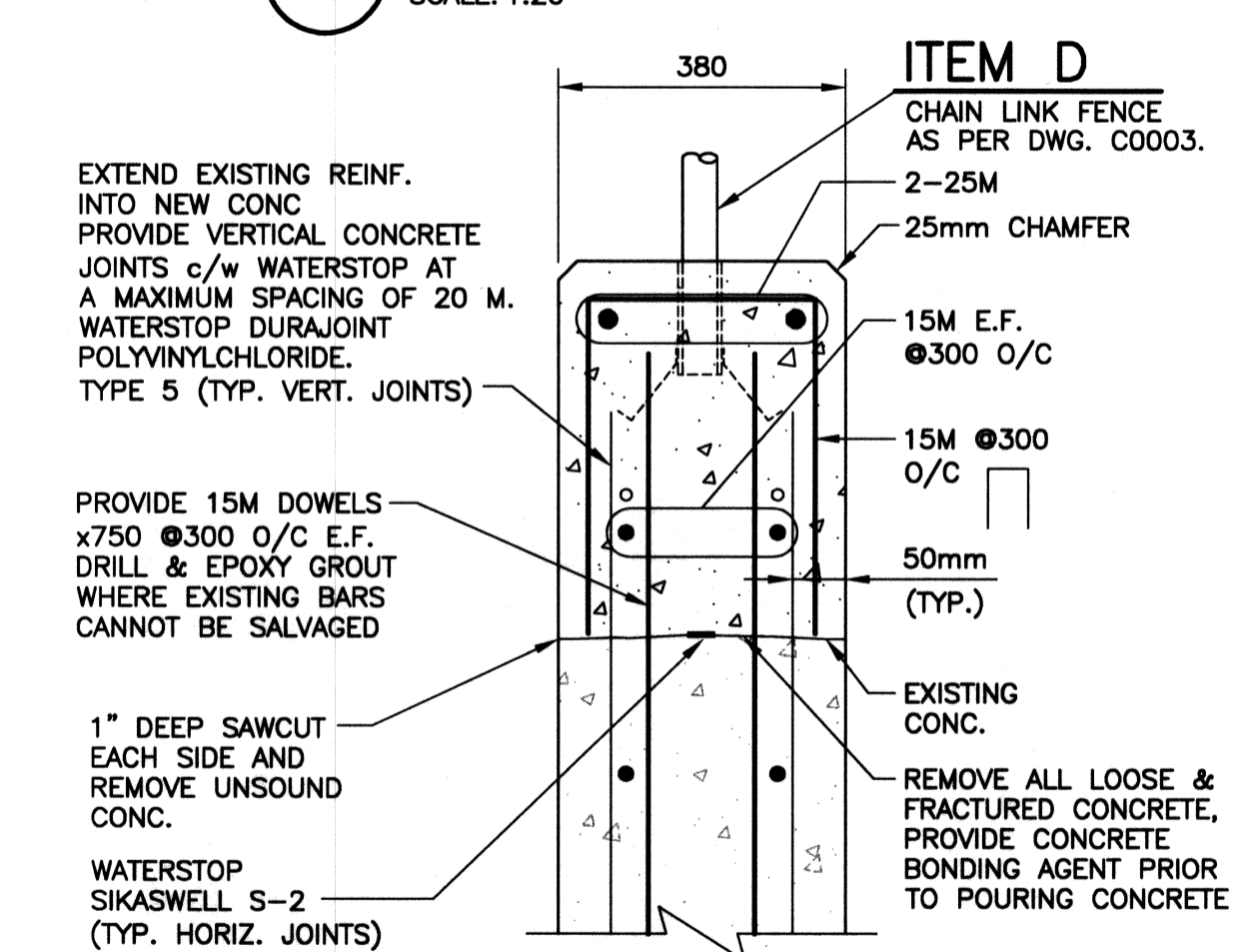


**ITEM A**

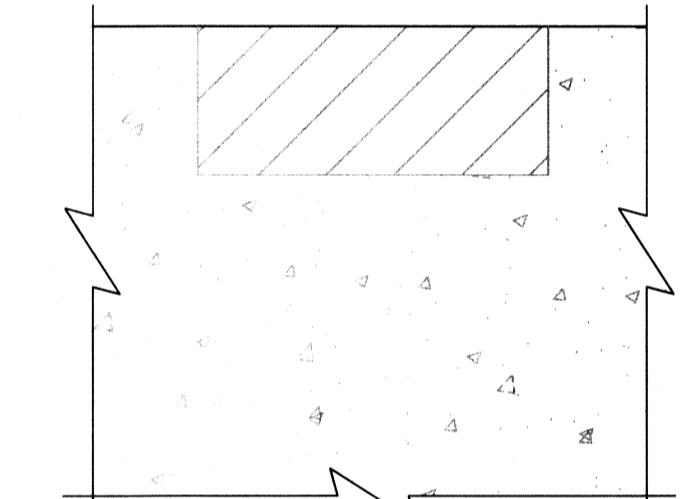
WALKWAY ENCLOSURE REHABILITATION (SEE DWG C0003 FOR SECTIONS AND DETAILS)  
-LIFT FROM CLARIFIER PRIOR TO INSTALLING NEW MECHANISM  
-REMOVE WALL CLADDING, ROOFING AND ROOF METAL DECK  
-SANDBLAST STRUCTURAL STEEL. PROVIDE NEW ATTACHMENTS FOR MECHANISM AS REQUIRED. RECOAT STEEL-REF. PAINT SPEC. SECTION 099719 (NOTE: PAINT SAMPLES FROM TRUSS MEMBERS HAVE BEEN TESTED AND THE EXISTING PAINT SHOULD BE CONSIDERED LEAD BASED)  
-LIFT TRUSS BACK INTO PLACE  
-PROVIDE NEW INSULATED WALL PANELS AND ROOF DECKING, INSULATION AND MEMBRANE



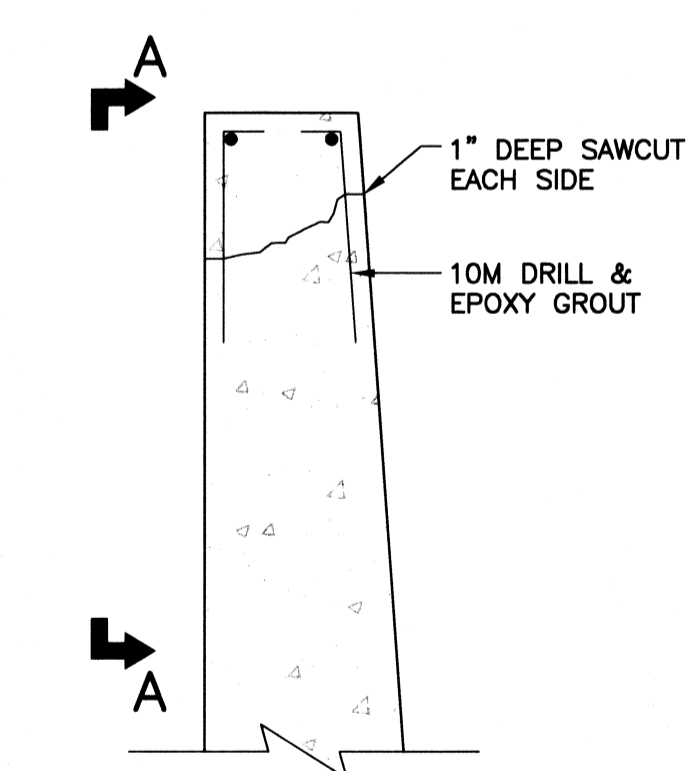
**E** FLOOR CRACK REPAIR DETAIL  
SCALE: 1:20



**C** ITEM B. CONC. REPAIR DETAIL  
SCALE: 1:20



**DETAIL A-A**



**D** ITEM E. LOCALIZED REPAIR TO LAUNDRER TROUGH  
SCALE: 1:20

SCOPE OF REMEDIAL WORK:  
A. WALKWAY ENCLOSURE REHABILITATION.  
B. TOP OF WALL CONCRETE REPAIR  
C. FLOOR CRACK REPAIR  
D. SUPPLY AND INSTALL NEW CLARIFIER FENCING  
E. LAUNDRER TROUGH REPAIR

COWLEGGEND

**APEGM**  
Certificate of Authorization  
KGS Group  
No. 245 Date: \_\_\_\_\_

B.M. ELEV.		<b>KGS GROUP</b> CONSULTING ENGINEERS & PROJECT MANAGERS	<b>CH2MHILL</b>	ENGINEER'S SEAL <b>R.J. LONG</b> REGISTERED PROFESSIONAL ENGINEER	<b>THE CITY OF WINNIPEG</b> WATER AND WASTE DEPARTMENT	PROJECT TITLE NORTH END WATER POLLUTION CONTROL CENTRE <b>PRIMARY CLARIFIER 3</b> CONCRETE & WALKWAY ENCLOSURE REMEDIAL WORK	SHEET	OF
DESIGNED BY	RJL						CHECKED BY	RJL
DRAWN BY	JG/MB	APPROVED BY				KGS JOB NUMBER	06-0107-03	
HOR. SCALE:	AS SHOWN	RELEASED FOR CONSTRUCTION:				CITY DRAWING NUMBER	1-0101P-C0004-001	
NO. REVISIONS	DATE	BY	DATE	DATE	DATE	CONSULTANT DRAWING NO.	1-0101P-C0004-001	
0	ISSUED FOR TENDER	13/02/08	RJL					
				05/06				