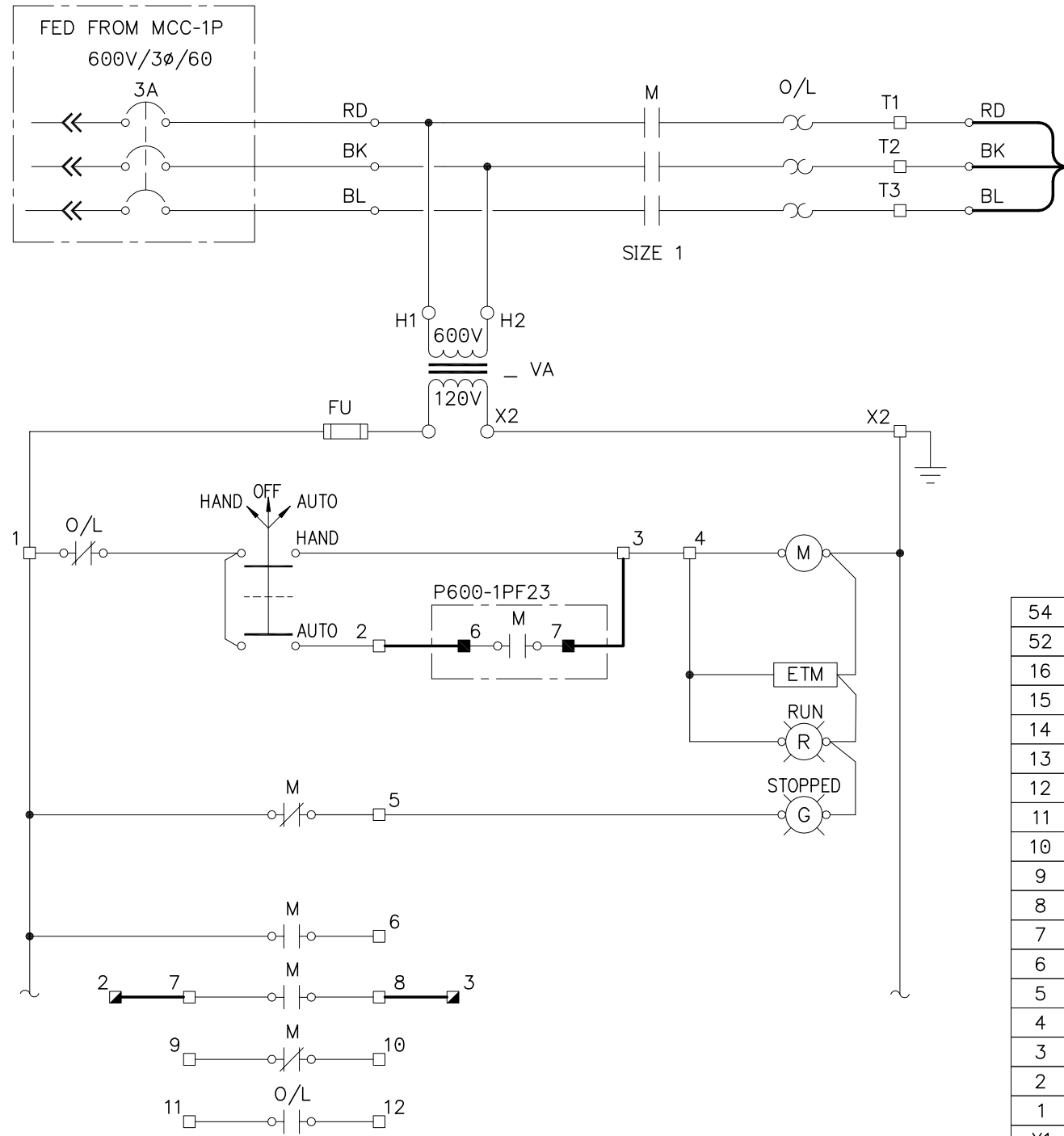


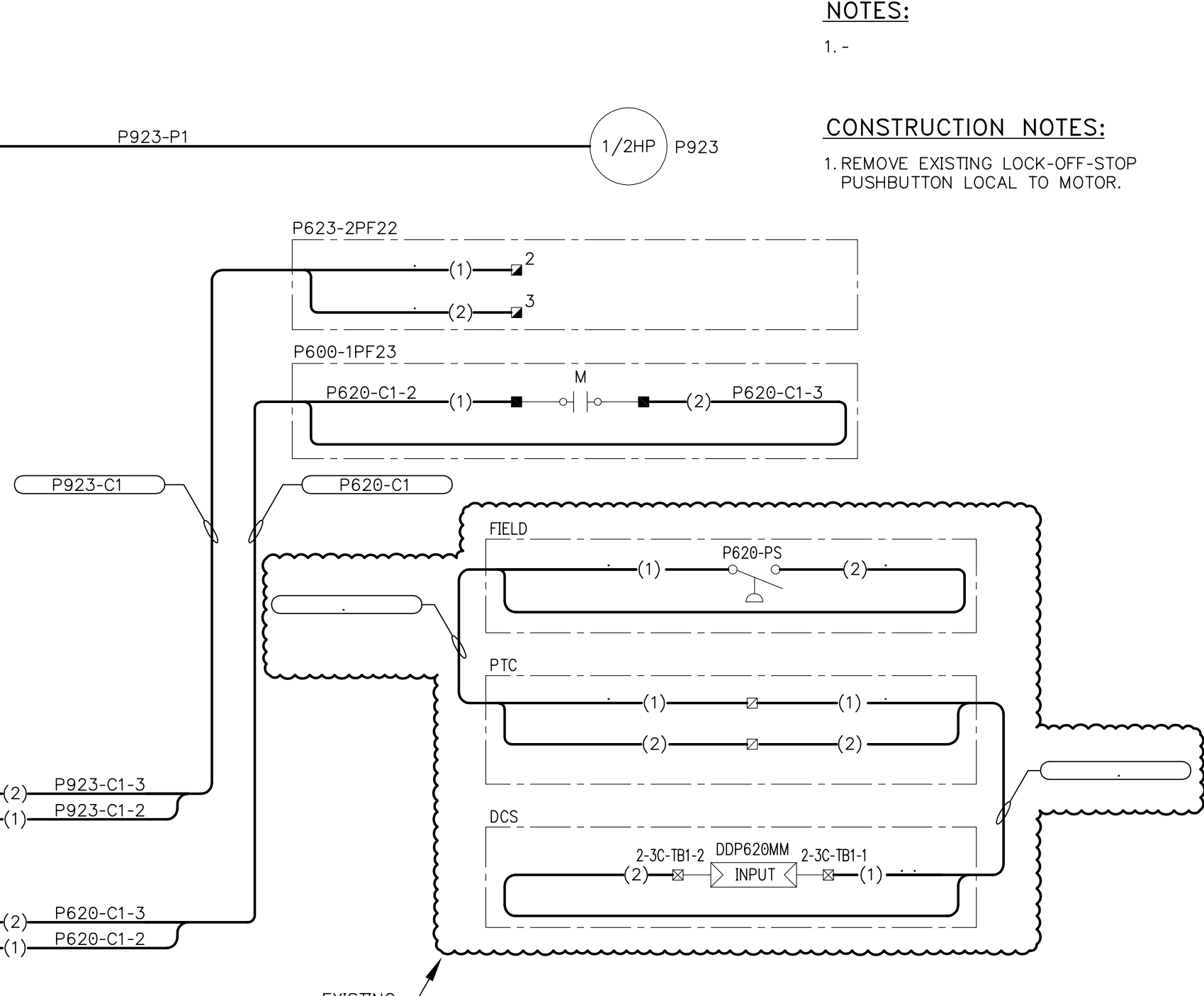
STARTER UNIT

FIELD



SCHMATIC DIAGRAM

54	
52	
16	
15	
14	
13	
12	
11	
10	
9	
8	(2) P923-C1-3
7	(1) P923-C1-2
6	
5	
4	
3	(2) P620-C1-3
2	(1) P620-C1-2
1	
X1	



WIRING DIAGRAM

NOTES:

1. -

CONSTRUCTION NOTES:

1. REMOVE EXISTING LOCK-OFF-STOP PUSHBUTTON LOCAL TO MOTOR.

LEGEND

- () CONDUCTOR IDENTIFICATION
- STARTER TERMINALS
- P600-1PF23 TERMINALS
- ▣ P623-2PF22 TERMINALS
- ⊠ PTC TERMINALS
- FIELD WIRING
- PANEL WIRING
- WIRE CONNECTION
- ⊙ PILOT LIGHT
- ETM ELAPSED TIME METER



B.M. ELEV.	FIELD BOOK #:				
POSTED TO LBIS					
DESIGNED BY	DDW	CHECKED BY	REW	NORTH END WATER POLLUTION CONTROL CENTRE MOTOR STARTER GENERAL SUPPLY FAN GALLERY 4B	
DRAWN BY	GCH	APPROVED BY		SHEET 001 OF 001 CITY DRAWING NUMBER 1-0101P-E0007-001	
HOR. SCALE	N.T.S.	RELEASED FOR CONSTRUCTION		TENDER No: 25-2008 FILENAME: 1-0101P-E0007-001 PLOT DATE: 15/02/08	
VERTICAL		DATE	19/01/07		
NO. REVISIONS		DATE			