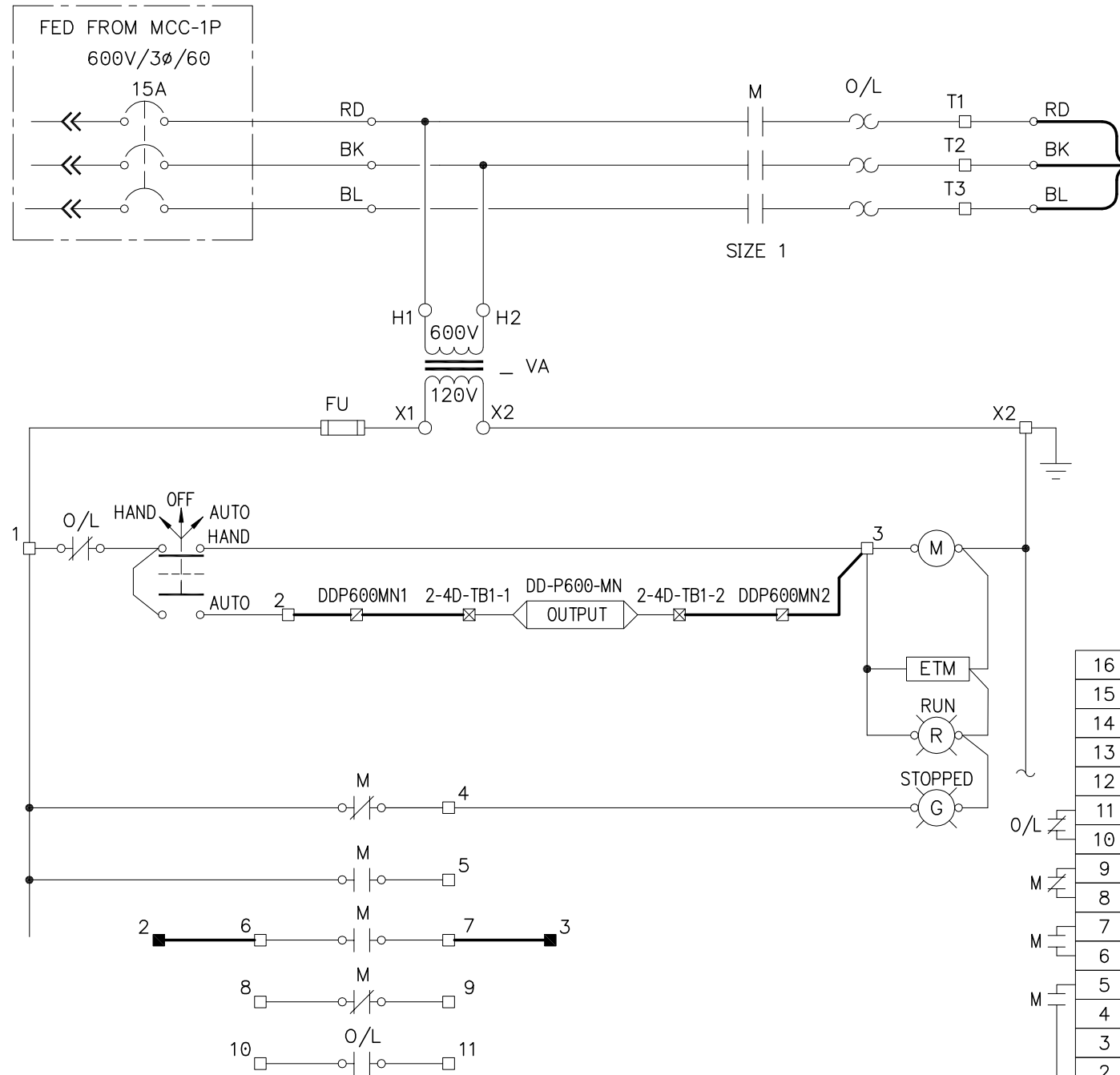


STARTER UNIT

FIELD



SCHEMATIC DIAGRAM

LEGEND

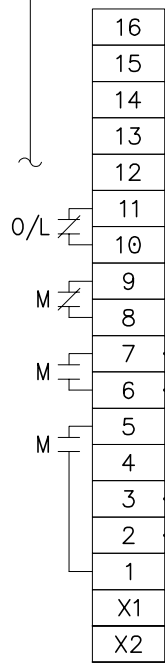
- () CONDUCTOR IDENTIFICATION
- STARTER TERMINALS
- ⊠ DCS TERMINALS
- ⊡ PTC TERMINALS
- P620-1PF21 STARTER TERMINALS
- FIELD WIRING
- PANEL WIRING
- WIRE CONNECTION
- PILOT LIGHT
- ETM ELAPSED TIME METER

NOTES:

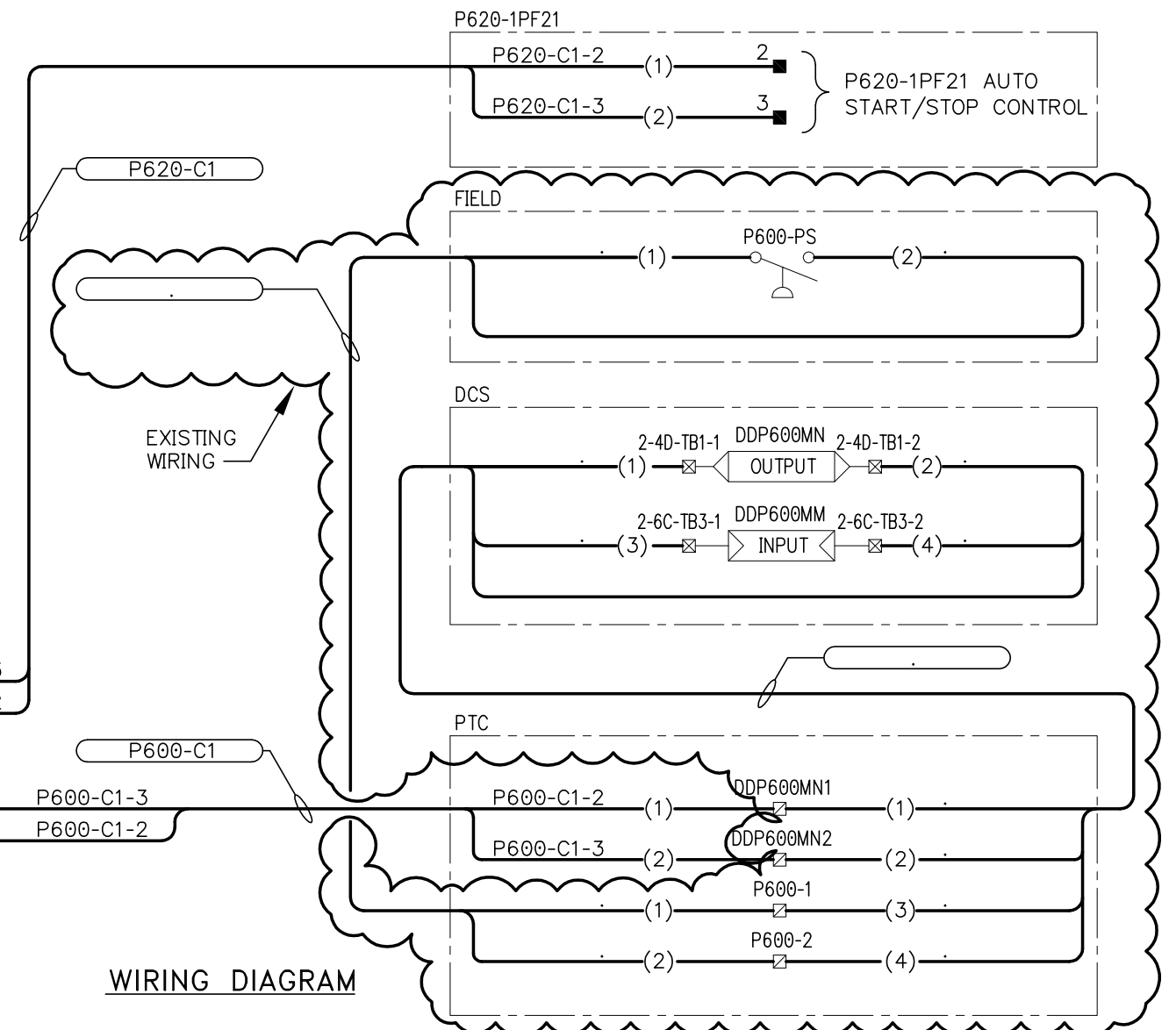
1. -

CONSTRUCTION NOTES:

1. REMOVE EXISTING LOCK-OFF-STOP PUSHBUTTON LOCAL TO MOTOR.



WIRING DIAGRAM



B.M. ELEV.	FIELD BOOK #:
POSTED TO LBIS	
DESIGNED BY: DDW	CHECKED BY: REW
DRAWN BY: GCH	APPROVED BY:
HOR. SCALE: N.T.S.	RELEASED FOR CONSTRUCTION:
VERTICAL:	DATE: 19/01/07
01 ISSUED FOR TENDER	15/02/08
NO. REVISIONS	DATE BY

KGS GROUP
CONSULTING ENGINEERS & PROJECT MANAGERS

CH2MHILL

ENGINEER'S SEAL
PROVINCE OF MANITOBA
R.E. WILLMS
REGISTERED PROFESSIONAL ENGINEER

TENDER No: **25-2008**
FILENAME: 1-0101P-E0008-001
PLOT DATE: 15/02/08

THE CITY OF WINNIPEG
WATER AND WASTE DEPARTMENT

Winnipeg

NORTH END WATER POLLUTION CONTROL CENTRE
MOTOR STARTER
P600-1PF23
MAU UNIT 1 CLARIFIERS 4 & 5

SHEET 001 OF 001
CITY DRAWING NUMBER
1-0101P-E0008-001