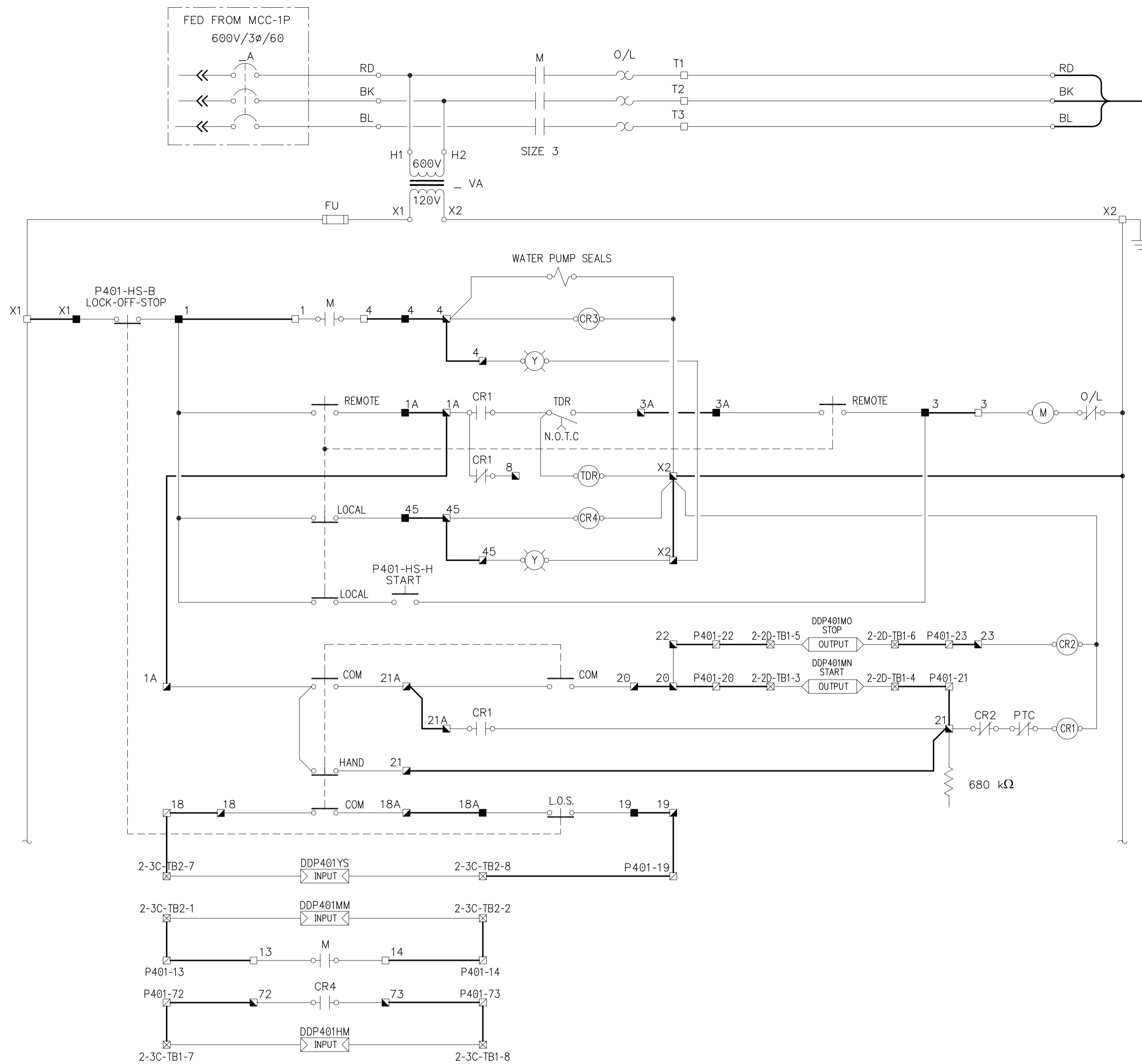
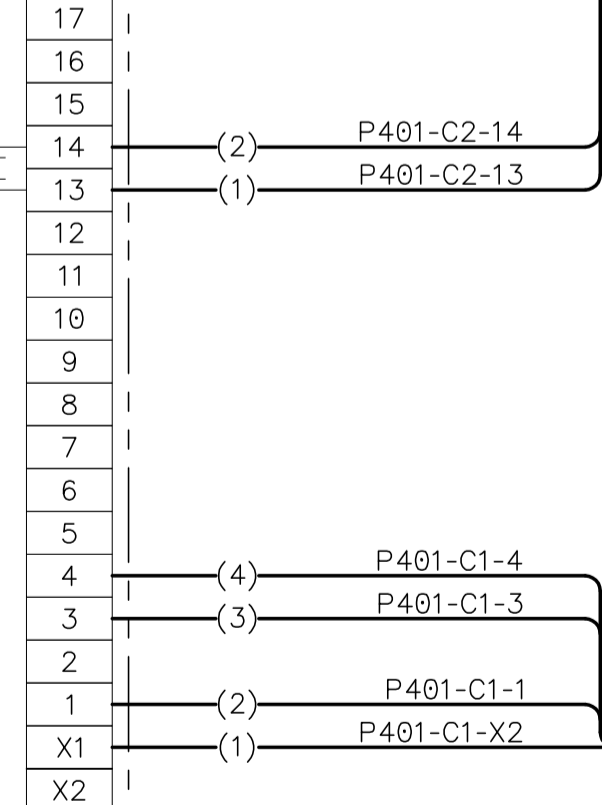


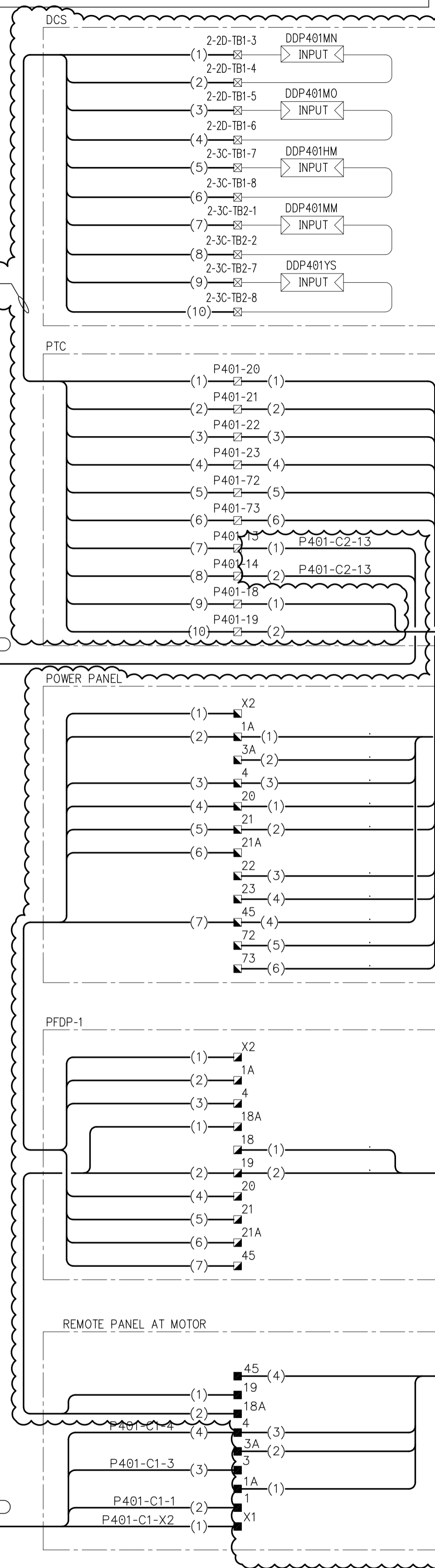
STARTER UNIT



SCHMATIC DIAGRAM



WIRING DIAGRAM



NOTES:

1. -

LEGEND

- TERMINAL - MCC - ELECT. ROOM
- TERMINAL - REMOTE PANEL - AT MOTOR
- ▣ TERMINAL - POWER PANEL - IN BAILEY ROOM
- ▤ TERMINAL - PFDP-1 - IN BAILEY ROOM
- ▥ TERMINAL - PTC - IN BAILEY ROOM
- ⊠ TERMINAL - DCS
- FIELD WIRING
- PANEL WIRING
- ( ) CONDUCTOR IDENTIFICATION
- WIRE CONNECTION
- PILOT LIGHT
- ETM ELAPSED TIME METER

COWLEGGEND



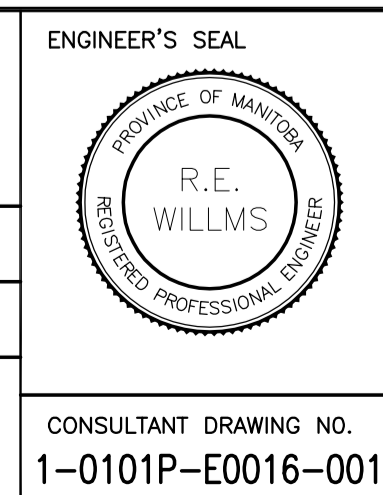
B.M. ELEV.	
DESIGNED BY	DDW
DRAWN BY	GCN
HOR. SCALE	N.T.S
VERTICAL	
01 ISSUED FOR TENDER	15/02/08 REW
NO. REVISIONS	DATE BY
	27/04/07

**KGS GROUP**  
CONSULTING ENGINEERS & PROJECT MANAGERS

**CH2MHILL**

DESIGNED BY DDW  
DRAWN BY GCN  
HOR. SCALE: N.T.S  
VERTICAL:

CHECKED BY REW  
APPROVED BY  
RELEASED FOR CONSTRUCTION:  
DATE



**THE CITY OF WINNIPEG**  
WATER AND WASTE DEPARTMENT

**Winnipeg**

PROJECT TITLE  
NORTH END WATER POLLUTION CONTROL CENTRE  
MOTOR STARTER  
P401-1PP1  
PRIMARY SLUDGE PUMP CLARIFIERS 4 & 5

SHEET 001 OF 001  
COMPUTER FILE NAME 1-0101P-E0016-001  
CITY DRAWING NUMBER 1-0101P-E0016-001

CONSULTANT DRAWING NO. 1-0101P-E0016-001