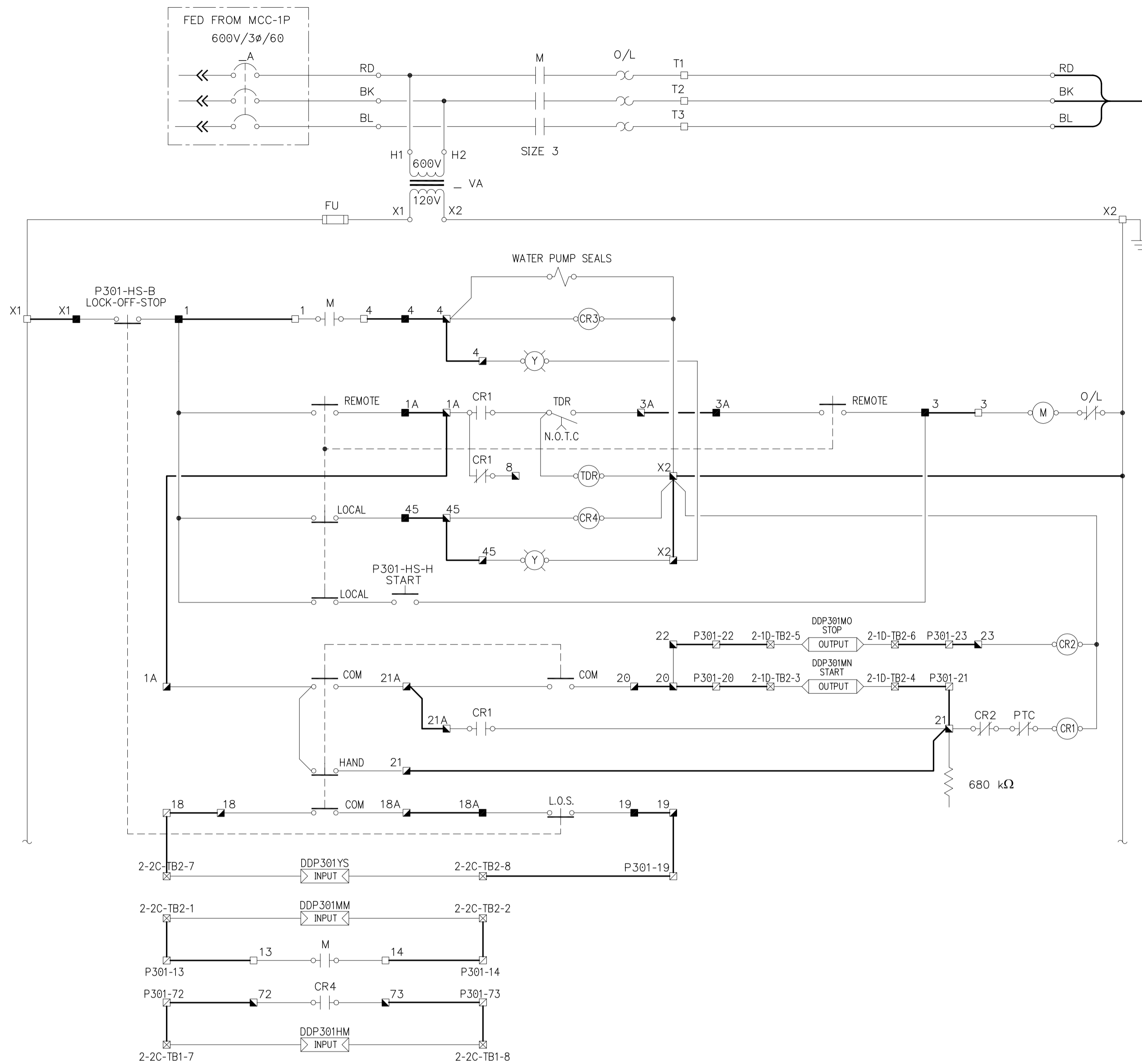
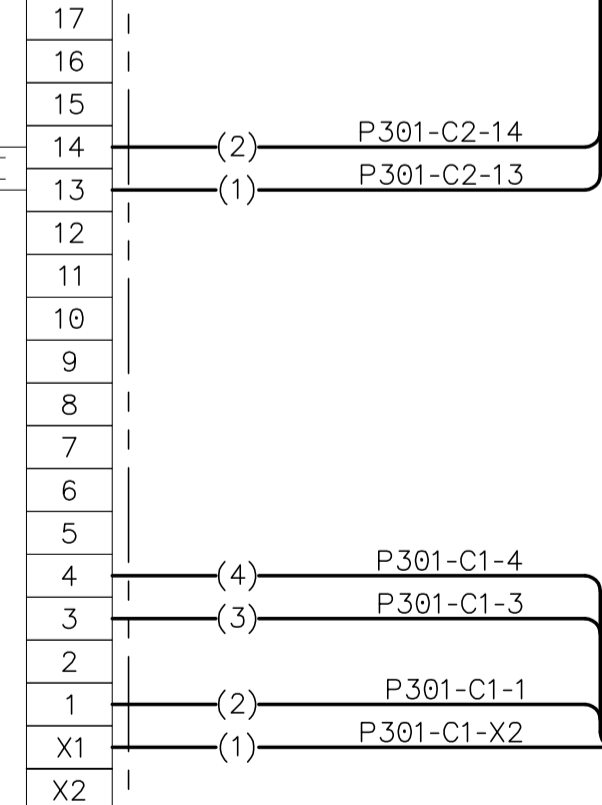


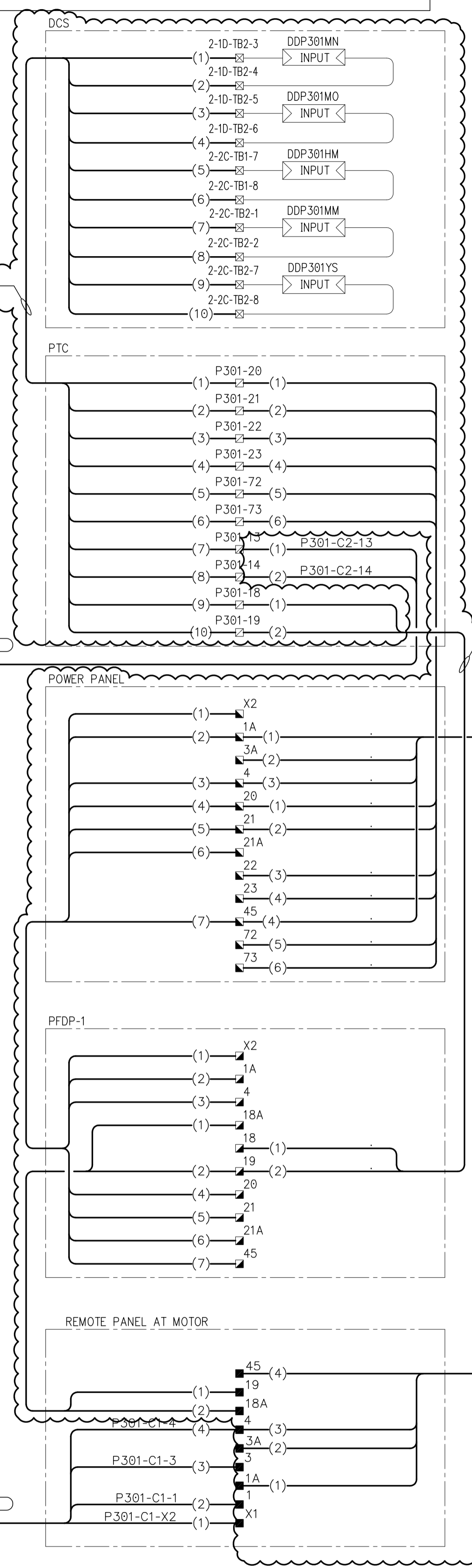
STARTER UNIT



SCHMATIC DIAGRAM



WIRING DIAGRAM



NOTES:

1. -

LEGEND

- TERMINAL - MCC - ELECT. ROOM
- TERMINAL - REMOTE PANEL - AT MOTOR
- ▣ TERMINAL - POWER PANEL - IN BAILEY ROOM
- ▤ TERMINAL - PFDP-1 - IN BAILEY ROOM
- ▥ TERMINAL - PTC - IN BAILEY ROOM
- ⊠ TERMINAL - DCS - IN BAILEY ROOM
- FIELD WIRING
- PANEL WIRING
- () CONDUCTOR IDENTIFICATION
- WIRE CONNECTION
- PILOT LIGHT
- ETM ELAPSED TIME METER

COWLEGGEND



B.M. ELEV. :	
DESIGNED BY :	DDW
DRAWN BY :	GCN
HOR. SCALE :	N.T.S
VERTICAL :	
ISSUED FOR TENDER :	15/02/08
NO. REVISIONS :	REW
DATE :	27/04/07

KGS GROUP
CONSULTING ENGINEERS & PROJECT MANAGERS

CH2MHILL

ENGINEER'S SEAL
R.E. WILLMS
REGISTERED PROFESSIONAL ENGINEER

DESIGNED BY DDW
DRAWN BY GCN
HOR. SCALE: N.T.S
VERTICAL: .

CHECKED BY REW
APPROVED BY
RELEASED FOR CONSTRUCTION: DATE

CONSULTANT DRAWING NO. 1-0101P-E0017-001

THE CITY OF WINNIPEG
WATER AND WASTE DEPARTMENT

Winnipeg

PROJECT TITLE
NORTH END WATER POLLUTION CONTROL CENTRE
MOTOR STARTER
P301-1PP3
PRIMARY SLUDGE PUMP CLARIFIERS 1, 2 & 3

SHEET 001 OF 001
COMPUTER FILE NAME 1-0101P-E0017-001
CITY DRAWING NUMBER 1-0101P-E0017-001