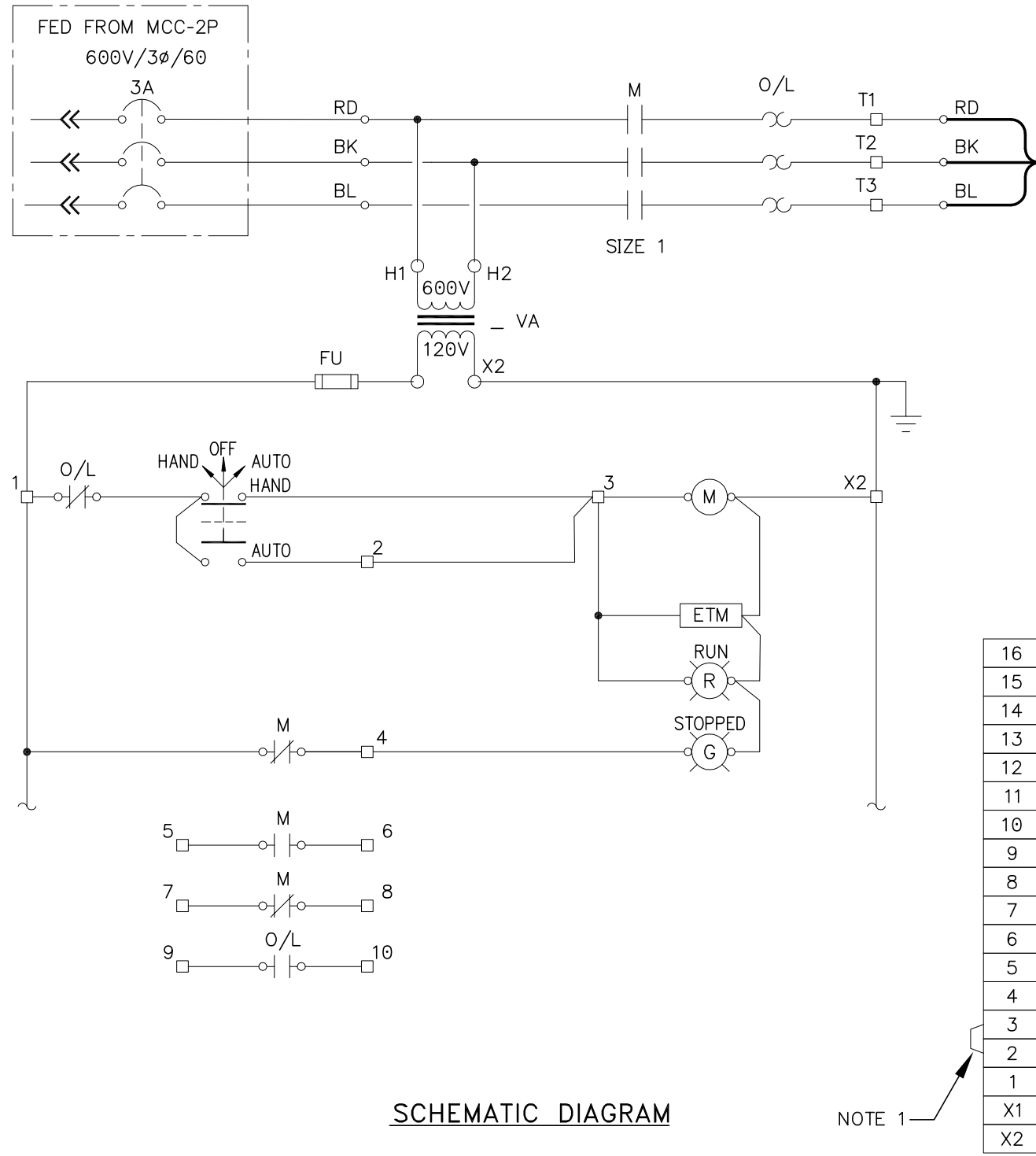


STARTER UNIT

FIELD

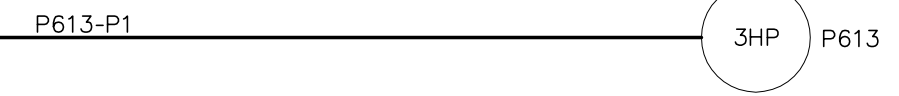


SCHMATIC DIAGRAM

- LEGEND**
- () CONDUCTOR IDENTIFICATION
 - STARTER TERMINALS
 - FIELD WIRING
 - PANEL WIRING
 - WIRE CONNECTION
 - PILOT LIGHT
 - ETM ELAPSED TIME METER

NOTES:

1. REMOVE JUMPER AND WIRE REMOTE START/STOP BETWEEN TERMINALS 2 AND 3 IF DESIRED.



WIRING DIAGRAM



B.M. ELEV.	FIELD BOOK #:
POSTED TO LBIS	
DESIGNED BY	DDW
CHECKED BY	REW
DRAWN BY	GCH
APPROVED BY	.
HOR. SCALE	N.T.S.
VERTICAL	.
NO. REVISIONS	DATE BY
01	ISSUED FOR TENDER 15/02/08 REW
	DATE 19/01/07

KGS GROUP
CONSULTING ENGINEERS & PROJECT MANAGERS

CH2MHILL

ENGINEER'S SEAL
PROVINCE OF MANITOBA
R.E. WILLMS
REGISTERED PROFESSIONAL ENGINEER

THE CITY OF WINNIPEG
WATER AND WASTE DEPARTMENT

NORTH END WATER POLLUTION CONTROL CENTRE
MOTOR STARTER
P613-2PF8
HIGH DENSITY SCRUBBER ELECTRICAL ROOM

SHEET 001 OF 001
CITY DRAWING NUMBER
1-0101P-E0023-001

TENDER No: 25-2008
FILENAME: 1-0101P-E0023-001
PLOT DATE: 15/02/08