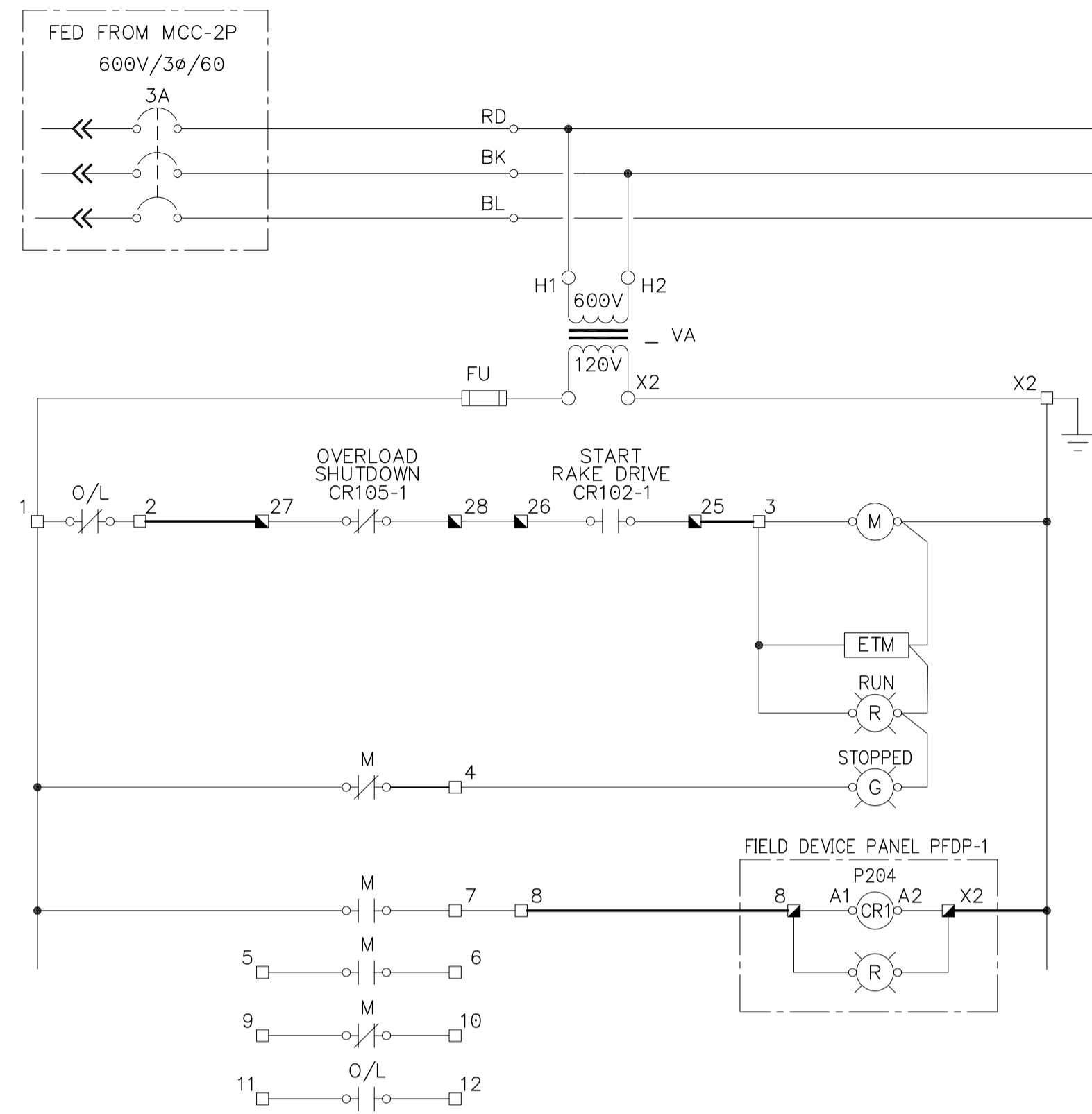


STARTER UNIT

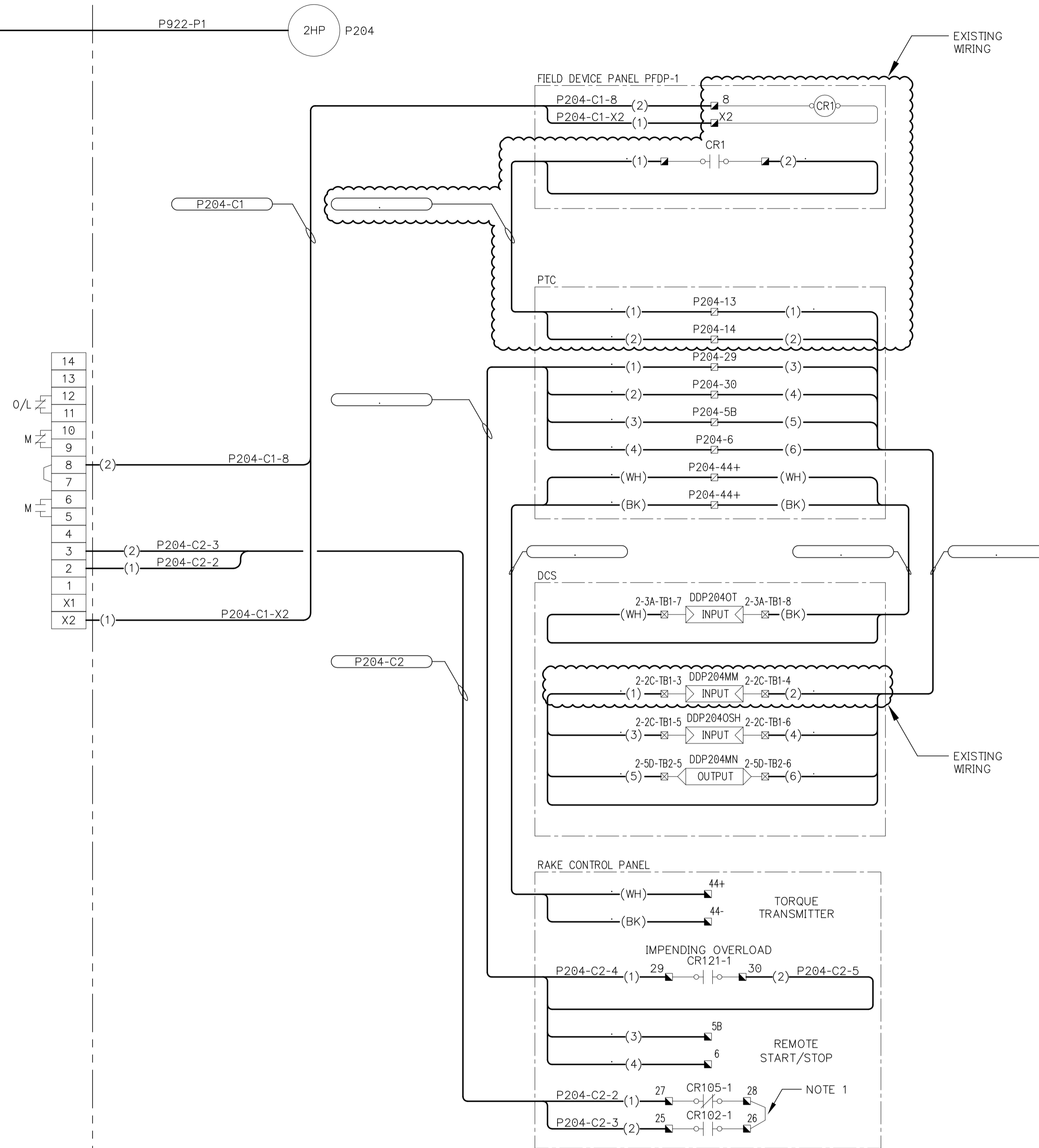
FIELD

NOTES:

1. INSTALL JUMPER BETWEEN TERMINALS 26 & 28 IN RAKE CONTROL PANEL.



SCHMATIC DIAGRAM



WIRING DIAGRAM

LEGEND

- STARTER TERMINALS
- PFDP-1 TERMINALS
- ⊠ DCS TERMINALS
- ⊠ PTC TERMINALS
- ⊠ RAKE CONTROL PANEL
- FIELD WIRING
- PANEL WIRING
- ( ) CONDUCTOR IDENTIFICATION
- WIRE CONNECTION
- PILOT LIGHT
- ETM ELAPSED TIME METER

COWLEGGEND



|                      |               |
|----------------------|---------------|
| B.M. :               |               |
| ELEV. :              |               |
| DESIGNED BY:         | DDW           |
| DRAWN BY:            | GCN           |
| HOR. SCALE:          | N.T.S         |
| VERTICAL:            |               |
| 01 ISSUED FOR TENDER | 15/02/08 REW  |
| NO. REVISIONS        | DATE BY       |
|                      | DATE 25/11/06 |

**KGS GROUP**  
CONSULTING ENGINEERS & PROJECT MANAGERS

**CH2MHILL**

DESIGNED BY: DDW  
DRAWN BY: GCN  
HOR. SCALE: N.T.S  
VERTICAL: .

CHECKED BY: REW  
APPROVED BY:  
RELEASED FOR CONSTRUCTION:  
DATE

ENGINEER'S SEAL

PROVINCE OF MANITOBA  
REGISTERED PROFESSIONAL ENGINEER  
R.E. WILLMS

CONSULTANT DRAWING NO.  
1-0101P-E0029-001

THE CITY OF WINNIPEG  
WATER AND WASTE DEPARTMENT

Winnipeg

PROJECT TITLE  
NORTH END WATER POLLUTION CONTROL CENTRE MOTOR STARTER P204-2PM2 CLARIFIER 2 RAKE

SHEET 001 OF 001  
COMPUTER FILE NAME 1-0101P-E0029-001  
CITY DRAWING NUMBER 1-0101P-E0029-001