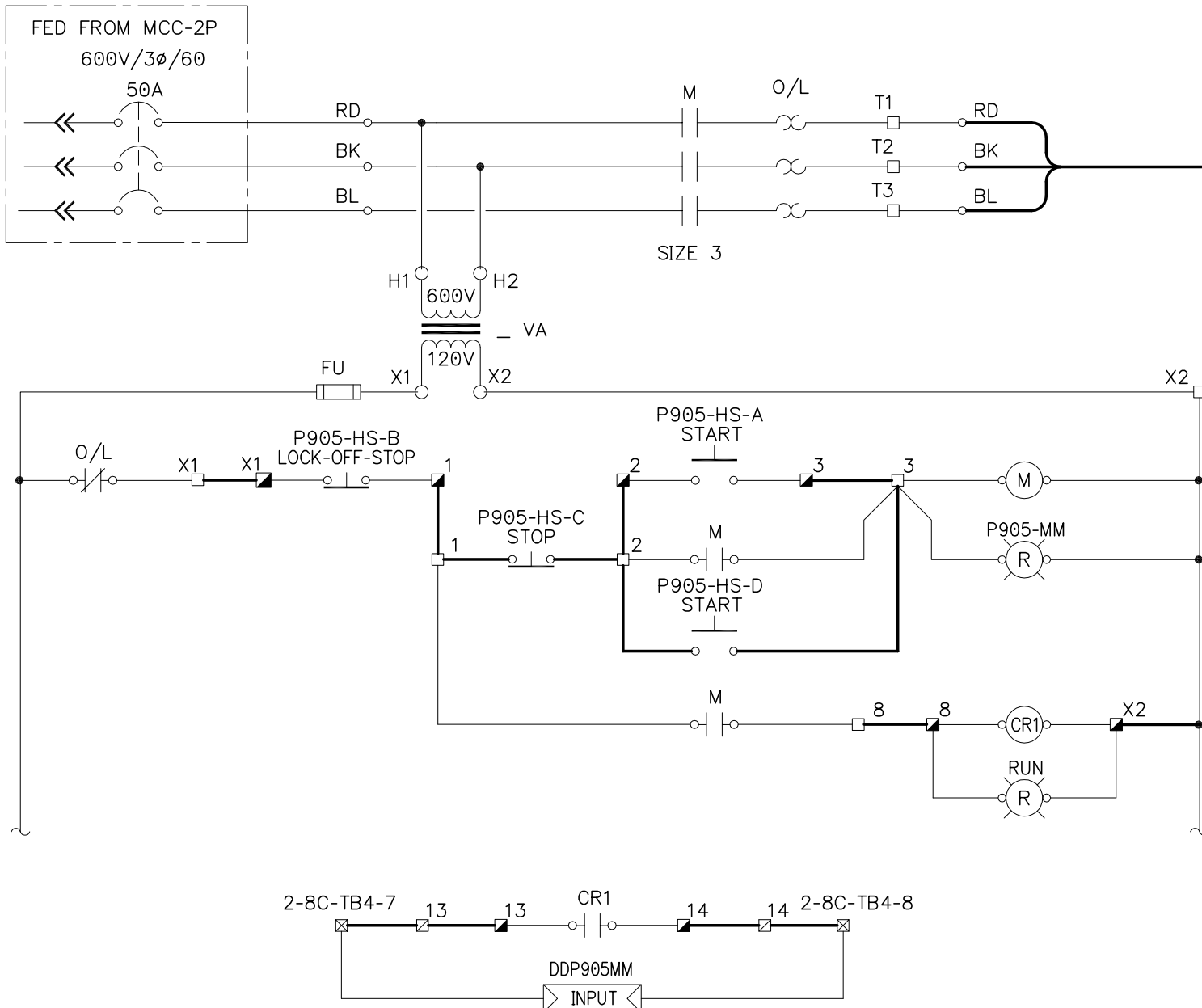


STARTER UNIT

FIELD



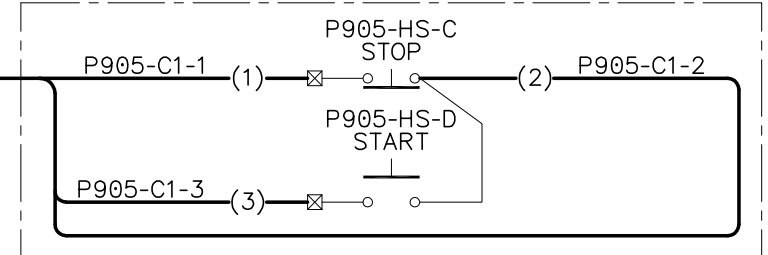
SCHMATIC DIAGRAM

NOTES:

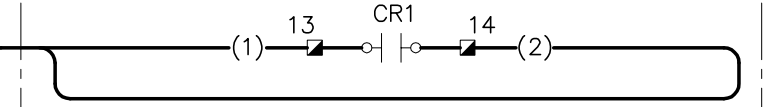
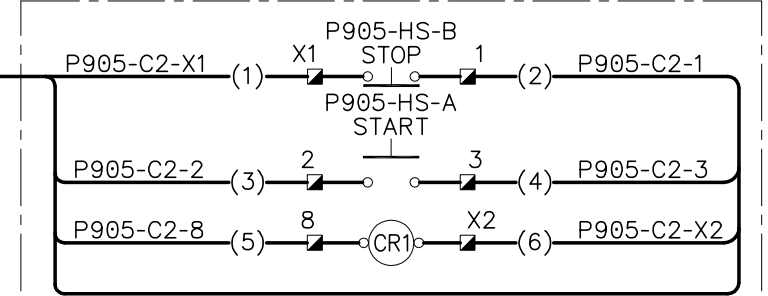
1. -

16	
15	
14	
13	
12	
11	
10	
9	
8	(5) P905-C2-8
7	
6	
5	
4	(3) P905-C2-3
3	(4) P905-C2-3
2	(3) P905-C2-2
1	(2) P905-C2-1
X1	(1) P905-C2-X1
X2	(1) P905-C2-X1
	(6) P905-C2-X2

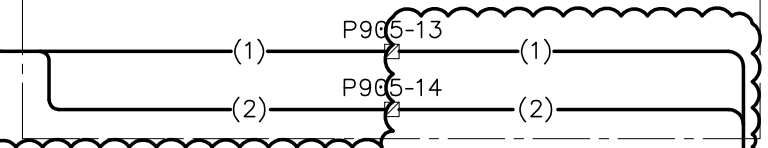
LOCAL TO MOTOR



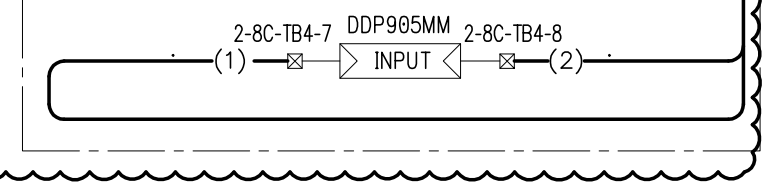
FIELD DEVICE PANEL PFDP-1



PTC



DCS



EXISTING WIRING

WIRING DIAGRAM

LEGEND

- () CONDUCTOR IDENTIFICATION
- STARTER TERMINALS
- PFPD-1 TERMINALS
- ⊠ PTC TERMINALS
- ⊞ DCS TERMINALS
- FIELD WIRING
- PANEL WIRING
- WIRE CONNECTION
- PILOT LIGHT
- ETM ELAPSED TIME METER



B.M. ELEV.	FIELD BOOK #:
POSTED TO LBIS	
DESIGNED BY	DDW
CHECKED BY	REW
DRAWN BY	GCH
APPROVED BY	
HOR. SCALE	N.T.S.
RELEASED FOR CONSTRUCTION	
VERTICAL	
DATE	19/01/07
NO. REVISIONS	
DATE	
BY	

KGS GROUP
CONSULTING ENGINEERS & PROJECT MANAGERS

CH2MHILL

ENGINEER'S SEAL
PROVINCE OF MANITOBA
R.E. WILLMS
REGISTERED PROFESSIONAL ENGINEER

TENDER No: 25-2008
FILENAME: 1-0101P-E0034-001
PLOT DATE: 15/02/08

THE CITY OF WINNIPEG
WATER AND WASTE DEPARTMENT

NORTH END WATER POLLUTION CONTROL CENTRE
MOTOR STARTER
P905-2PP22
SCUM TRANSFER PUMP 2 CLARIFIERS 1, 2 & 3

SHEET 001 OF 001
CITY DRAWING NUMBER
1-0101P-E0034-001