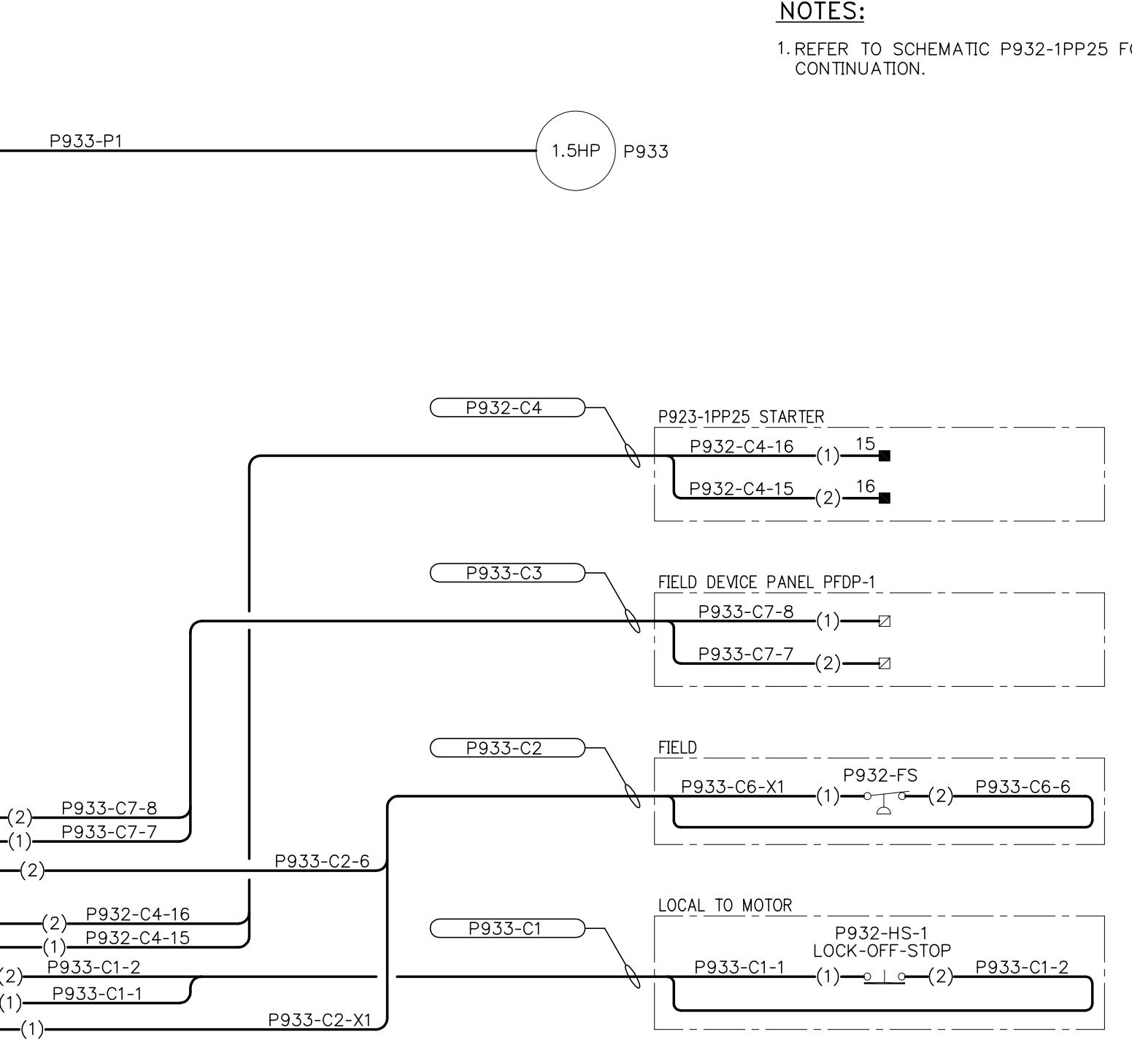
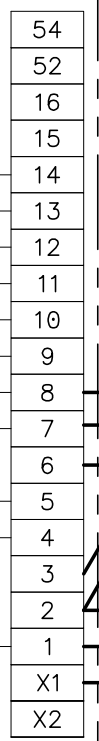
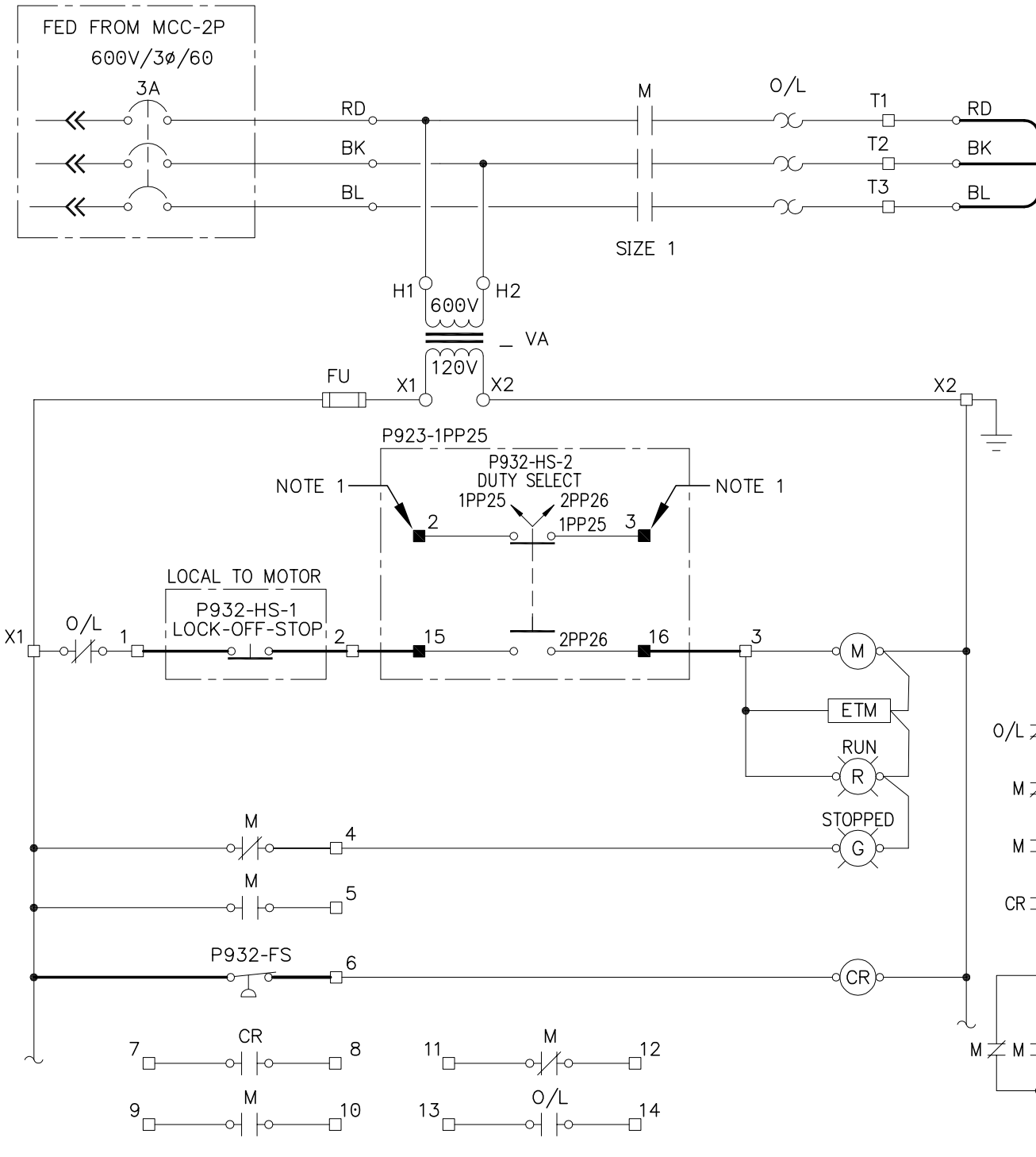


STARTER UNIT

FIELD

NOTES:

1. REFER TO SCHEMATIC P932-1PP25 FOR CONTINUATION.



SCHEMATIC DIAGRAM

WIRING DIAGRAM

LEGEND

- () CONDUCTOR IDENTIFICATION
- STARTER TERMINALS
- P932-1PP25 STARTER TERMINALS
- ⊠ PFDP-1 TERMINALS
- FIELD WIRING
- PANEL WIRING
- WIRE CONNECTION
- ⊙ PILOT LIGHT
- ETM ELAPSED TIME METER



B.M. ELEV.	FIELD BOOK #:	KGS GROUP CONSULTING ENGINEERS & PROJECT MANAGERS	CH2MHILL	ENGINEER'S SEAL PROVINCE OF MANITOBA R.E. WILLMS REGISTERED PROFESSIONAL ENGINEER	THE CITY OF WINNIPEG WATER AND WASTE DEPARTMENT
POSTED TO LBIS				DESIGNED BY: DDW	
		DRAWN BY: GCH	APPROVED BY: .	TENDER No: 25-2008 FILENAME: 1-0101P-E0036-001 PLOT DATE: 15/02/08	NORTH END WATER POLLUTION CONTROL CENTRE MOTOR STARTER P933-2PP26 HOT WATER RECIRCULATING PUMP 2
		HOR. SCALE: N.T.S.	RELEASED FOR CONSTRUCTION		
01 ISSUED FOR TENDER	15/02/08	REW			
NO. REVISIONS	DATE	BY	DATE	19/01/07	