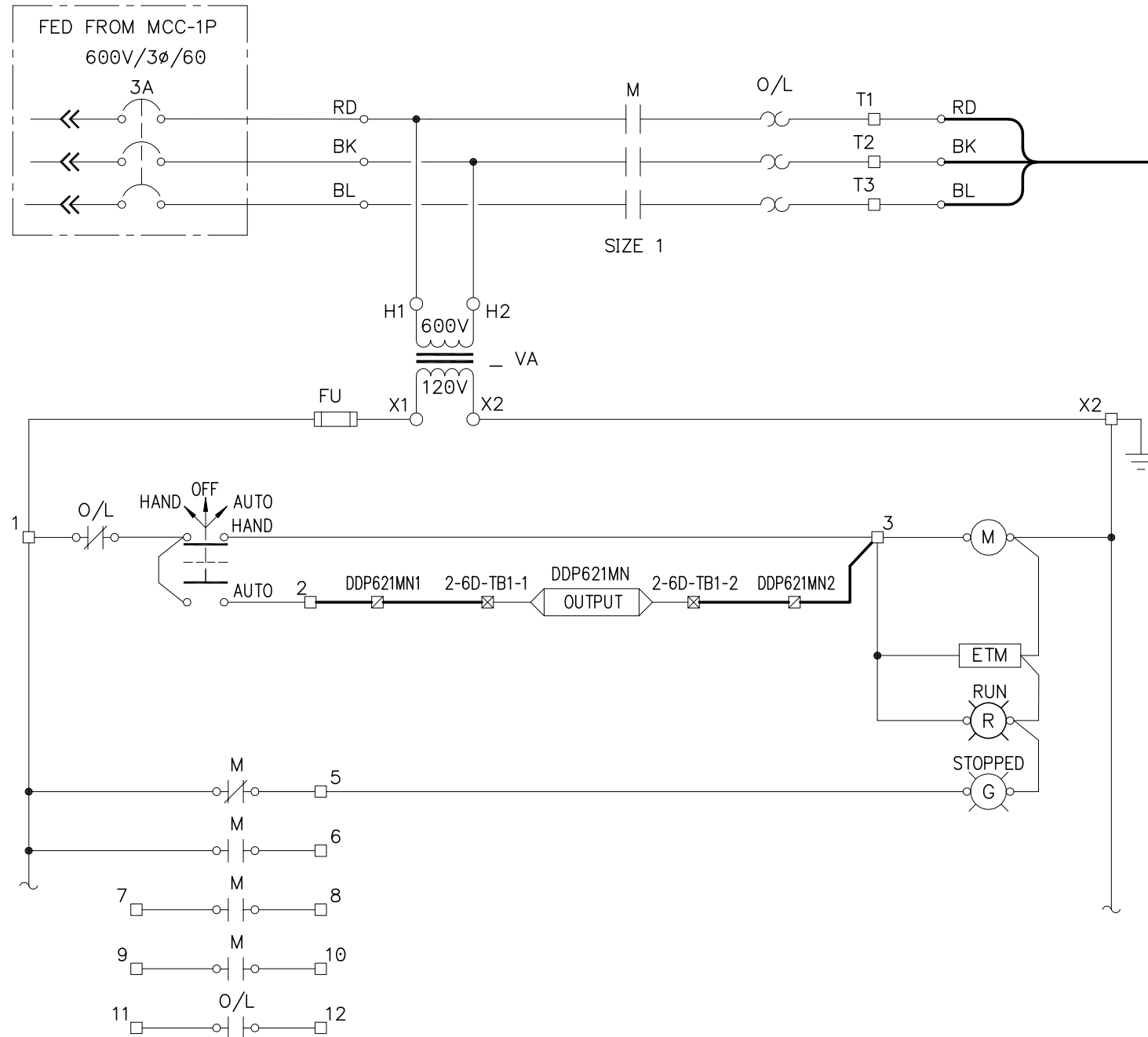


STARTER UNIT

FIELD



SCHMATIC DIAGRAM

LEGEND

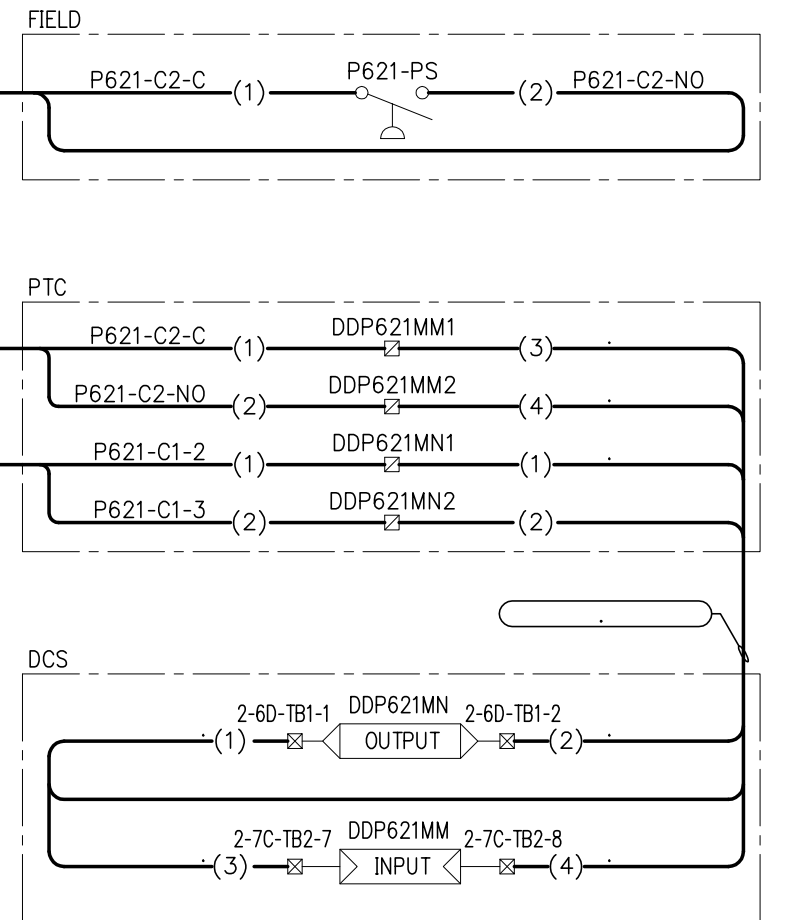
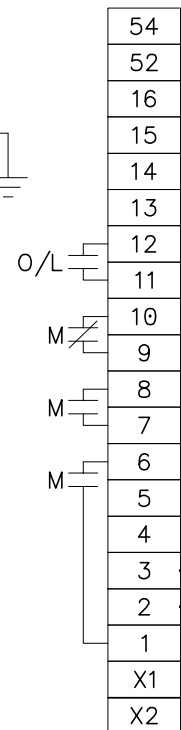
- ( ) CONDUCTOR IDENTIFICATION
- STARTER TERMINALS
- ⊠ PTC TERMINALS
- ⊞ DCS TERMINALS
- FIELD WIRING
- PANEL WIRING
- WIRE CONNECTION
- PILOT LIGHT
- ETM ELAPSED TIME METER

NOTES:

1. -

CONSTRUCTION NOTES:

1. -



WIRING DIAGRAM



B.M. ELEV.	FIELD BOOK #:
POSTED TO LBIS	
DESIGNED BY	DDW
CHECKED BY	REW
DRAWN BY	GCH
APPROVED BY	
HOR. SCALE	N.T.S.
VERTICAL	
RELEASED FOR CONSTRUCTION	
NO. REVISIONS	DATE BY
01	ISSUED FOR TENDER 15/02/08 REW
	DATE BY
	20/12/07

**KGS GROUP**  
CONSULTING ENGINEERS & PROJECT MANAGERS

**CH2MHILL**

ENGINEER'S SEAL  
PROVINCE OF MANITOBA  
R.E. WILLMS  
REGISTERED PROFESSIONAL ENGINEER

TENDER No: 25-2008  
FILENAME: 1-0101P-E0040-001  
PLOT DATE: 15/02/08

**THE CITY OF WINNIPEG**  
WATER AND WASTE DEPARTMENT

NORTH END WATER POLLUTION CONTROL CENTRE  
MOTOR STARTER  
P621-1ACU3  
CLARIFIER ELECTRICAL ROOM ACU

SHEET 001 OF 001  
CITY DRAWING NUMBER  
1-0101P-E0040-001