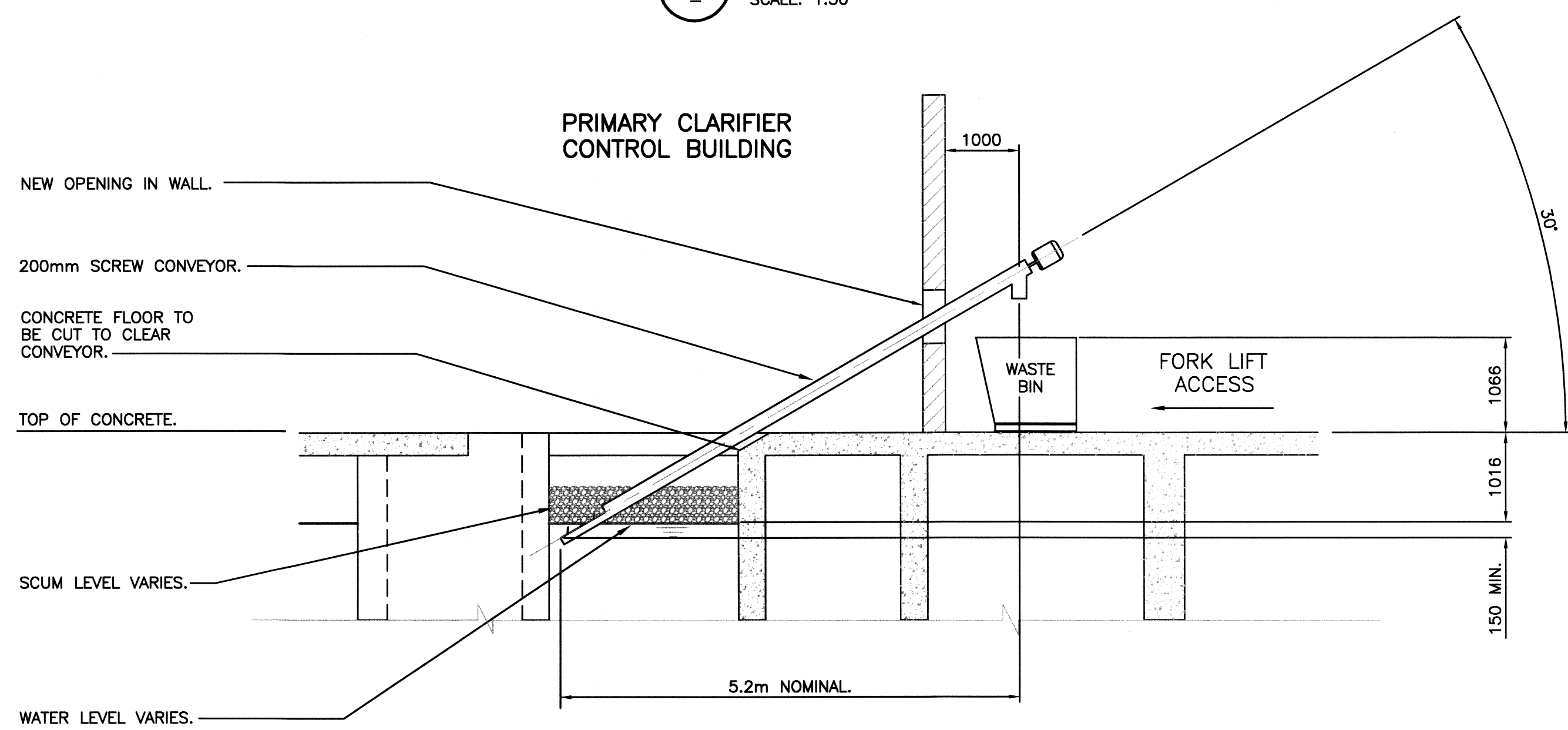
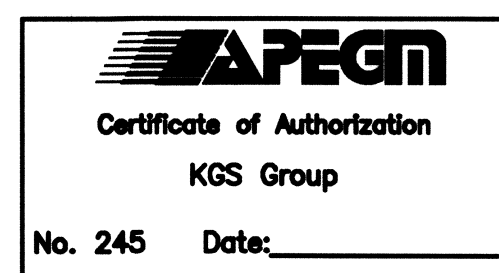


A PLAN VIEW
SCALE: 1:50

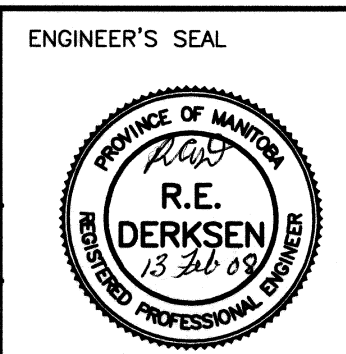


B SECTION
SCALE: 1:50

COWLEGGEND



B.M. ELEV.			
DESIGNED BY	RED	CHECKED BY	RED
DRAWN BY	JHH	APPROVED BY	
HOR. SCALE:	AS SHOWN	RELEASED FOR CONSTRUCTION:	
VERTICAL:		DATE	15/02/08
NO.	REVISIONS	DATE	BY
01	ISSUED FOR TENDER	FEB.15/08	RED



THE CITY OF WINNIPEG
WATER AND WASTE DEPARTMENT

PROJECT TITLE: NEWPCC - CIRCULAR PRIMARY CLARIFIER REFURBISHMENT
CLARIFIER CONTROL BUILDING CENTRE RING SCUM DISPOSAL SYSTEM LAYOUT

SHEET 001 OF 001
COMPUTER FILE NAME: 1-0101P-M0006-001
CITY DRAWING NUMBER: 1-0101P-M0006-001

CONSULTANT DRAWING NO. 1-0101P-M0006-001