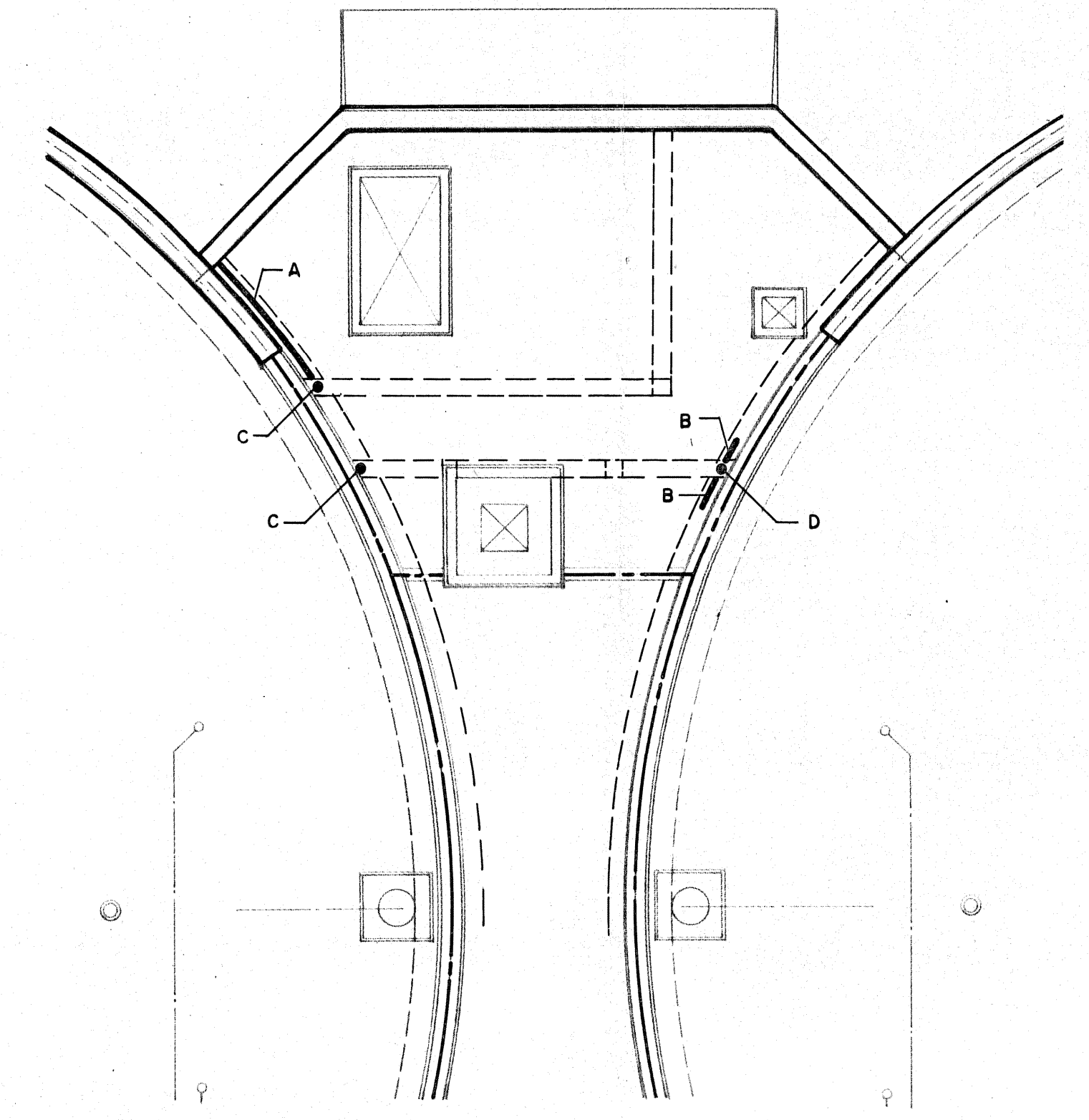
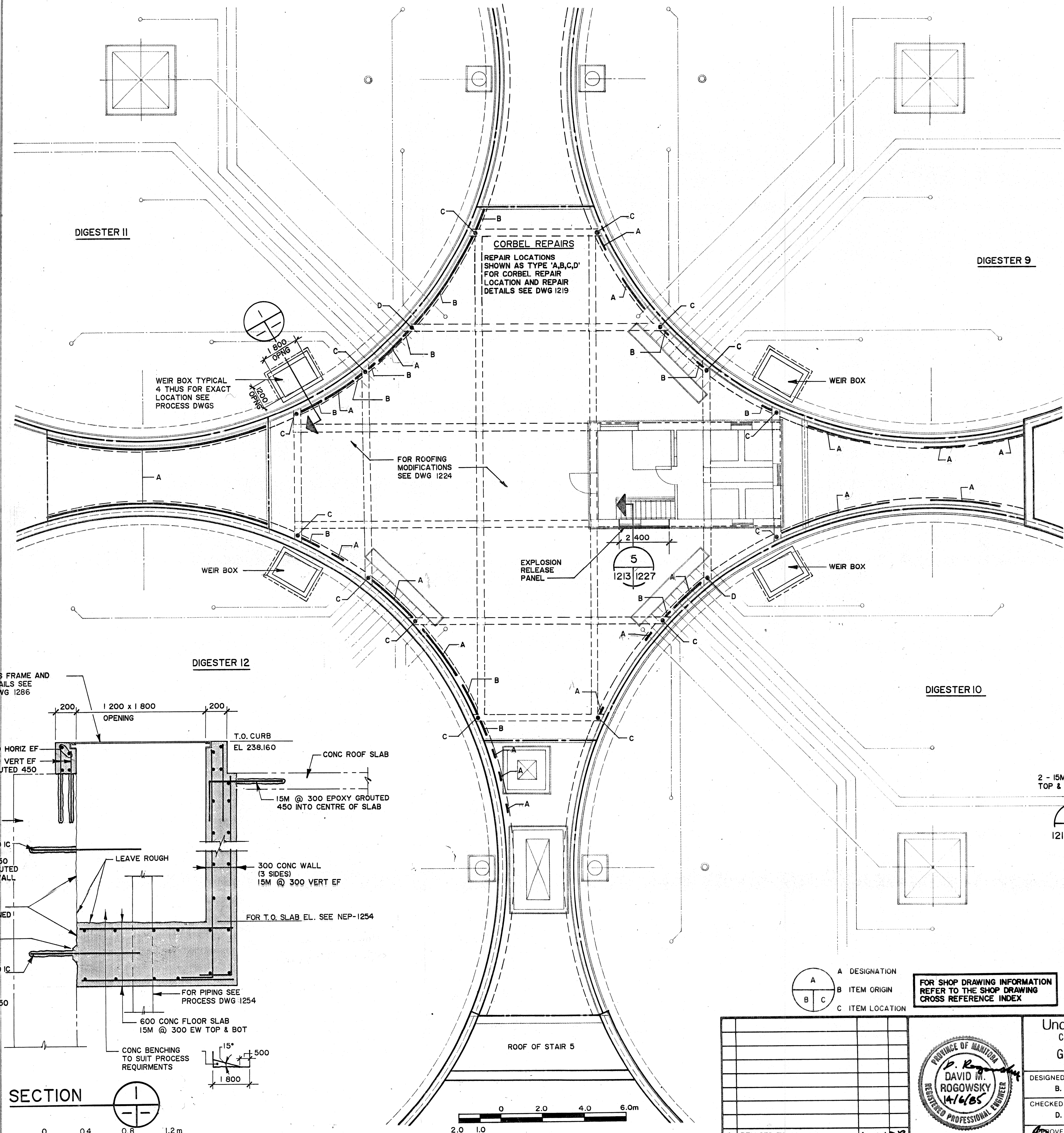


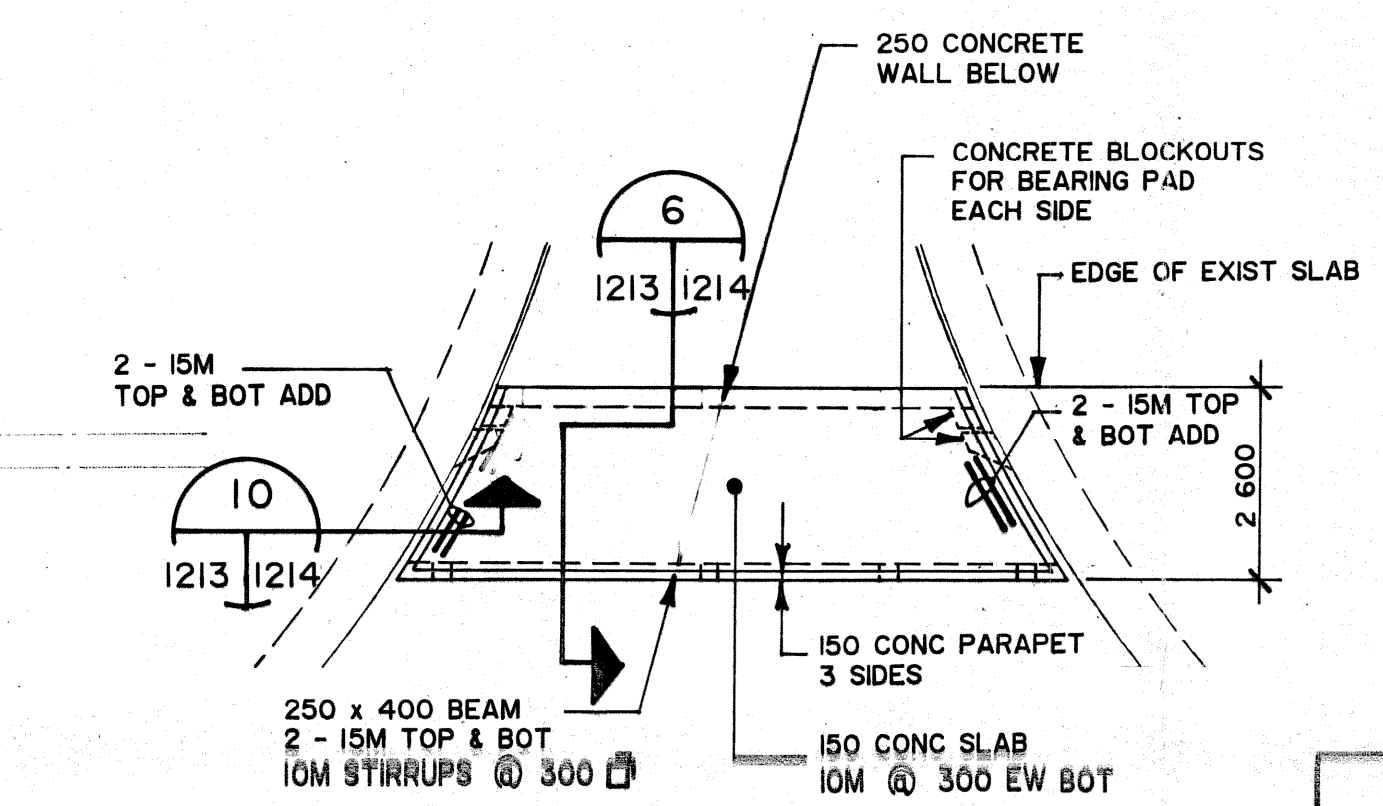
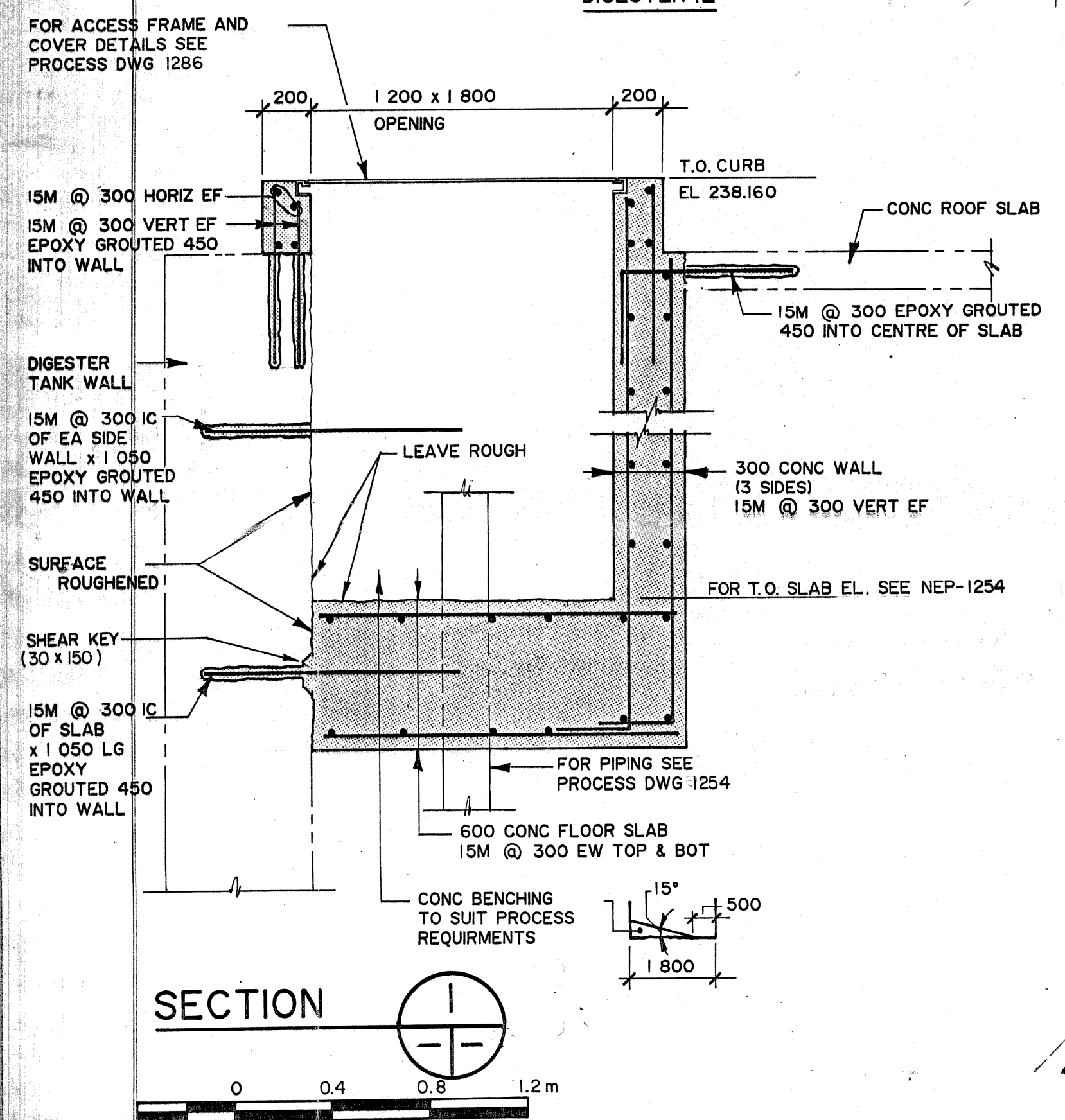
NEP-1213

**GENERAL NOTES:**

- 1. OPENINGS THROUGH EXISTING WALLS & FLOORS FOR PIPES - SEE PROCESS & MECHANICAL DRAWINGS FOR LOCATION AND SIZE

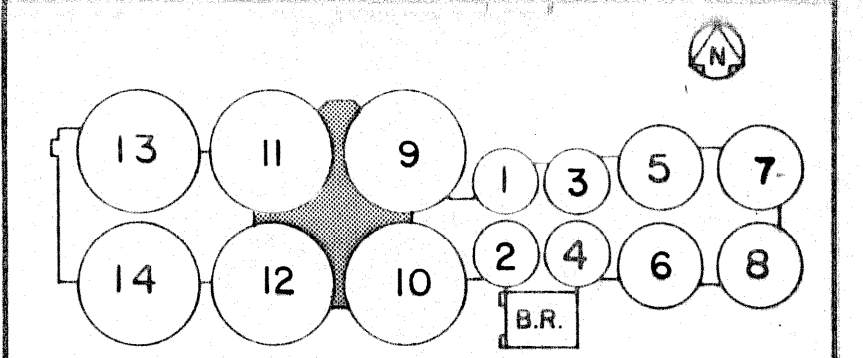


**NORTH ENTRY ROOF PLAN GALLERY 5**  
T.O. SLAB EL. 237.840



**ROOF FRAMING PLAN - GALLERY 5 SOUTH STAIR**  
(T.O. SLAB EL. 237.840)

**AS CONSTRUCTED**  
APPROVED BY: [Signature]  
DATE: 1985.03.28

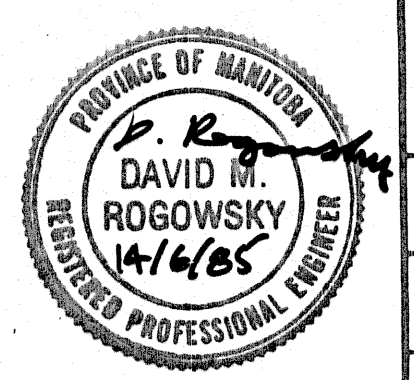


**KEY PLAN**

- A DESIGNATION
- B ITEM ORIGIN
- C ITEM LOCATION

**FOR SHOP DRAWING INFORMATION REFER TO THE SHOP DRAWING CROSS REFERENCE INDEX**

NO.	REVISIONS	DATE	APP.
A	REVISED TO AS CONSTRUCTED	11/1/85	[Signature]



**Underwood McLellan Ltd.**  
Consulting Engineers and Planners  
**GORE & STORRIE LIMITED**  
CONSULTING ENGINEERS

DESIGNED BY: B. BISWANGER  
DRAWN BY: L.M.G.  
CHECKED BY: D. ROGOWSKY  
DATE: FEB./85  
APPROVED BY: [Signature]  
DATE: JUNE/85

**THE CITY OF WINNIPEG**  
WORKS & OPERATIONS DIVISION  
WATERWORKS, WASTE & DISPOSAL DEPARTMENT

**NORTH END WATER POLLUTION CONTROL CENTRE  
SLUDGE DIGESTION EXPANSION**

**DIGESTION GALLERY No. 5  
STRUCTURAL  
ROOF PLAN**

RELEASED FOR CONSTRUCTION: [Signature] DATE: 17/6/85  
SCALE: AS SHOWN  
DRAWING NO.: **NEP-1213**