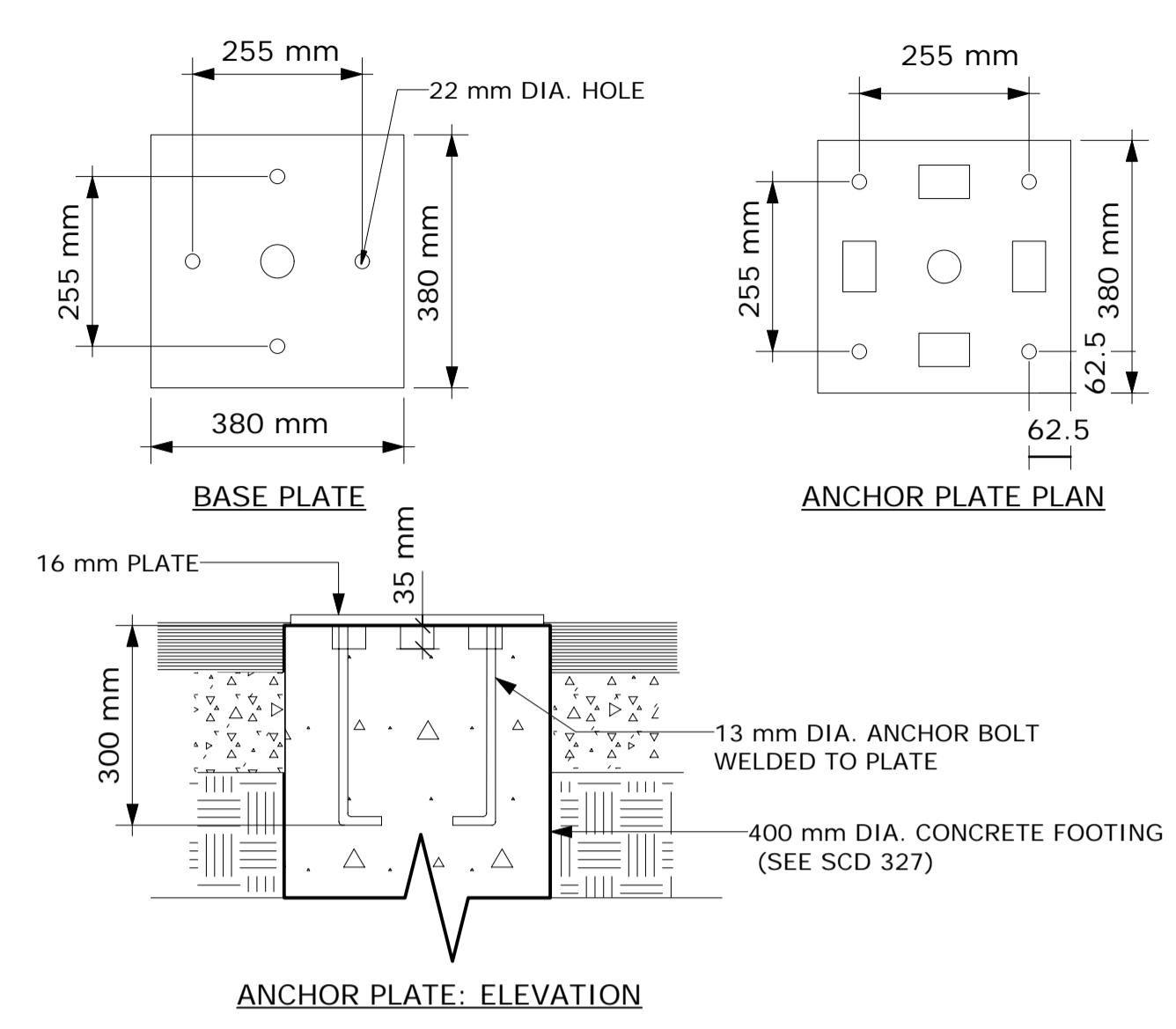
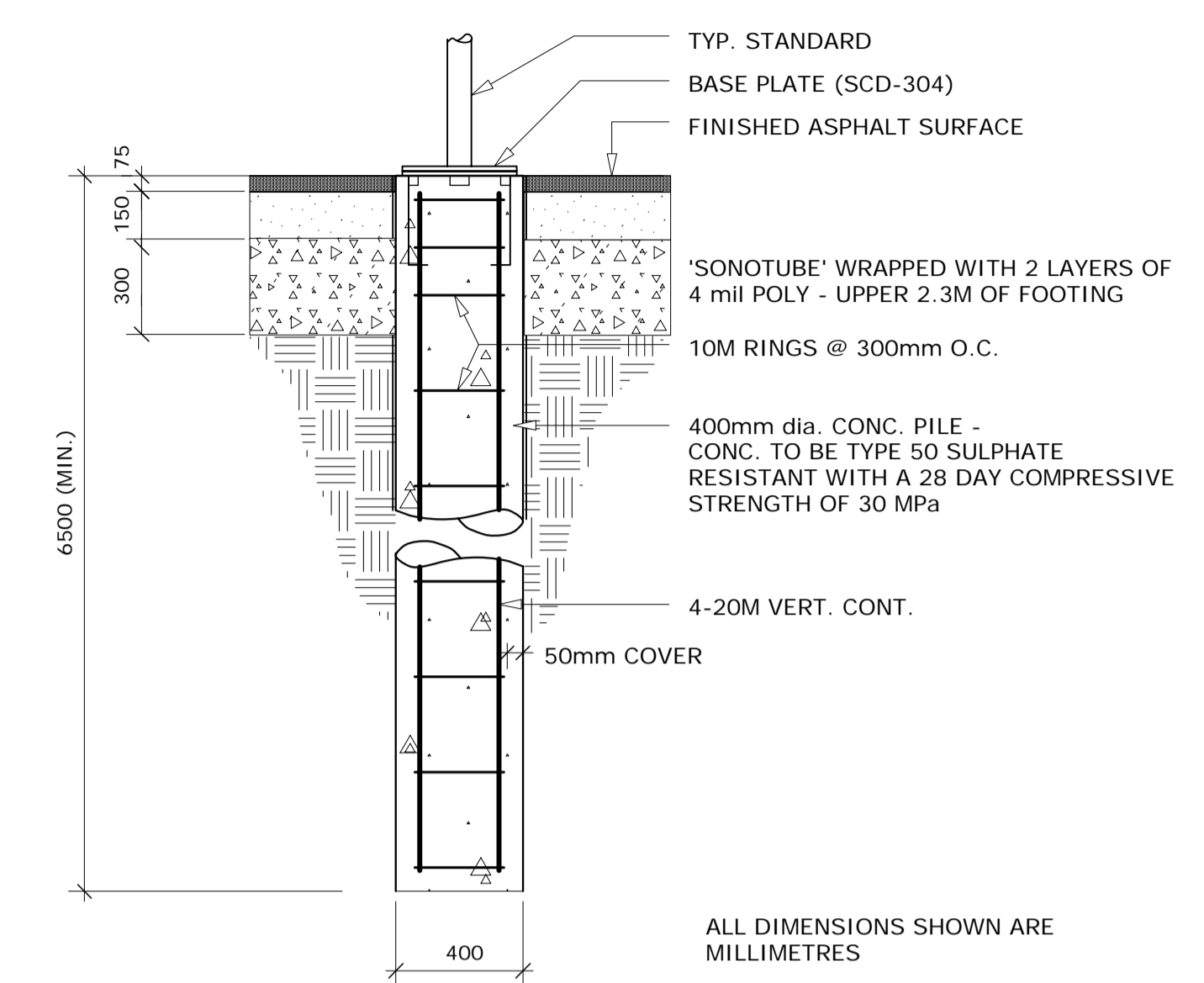


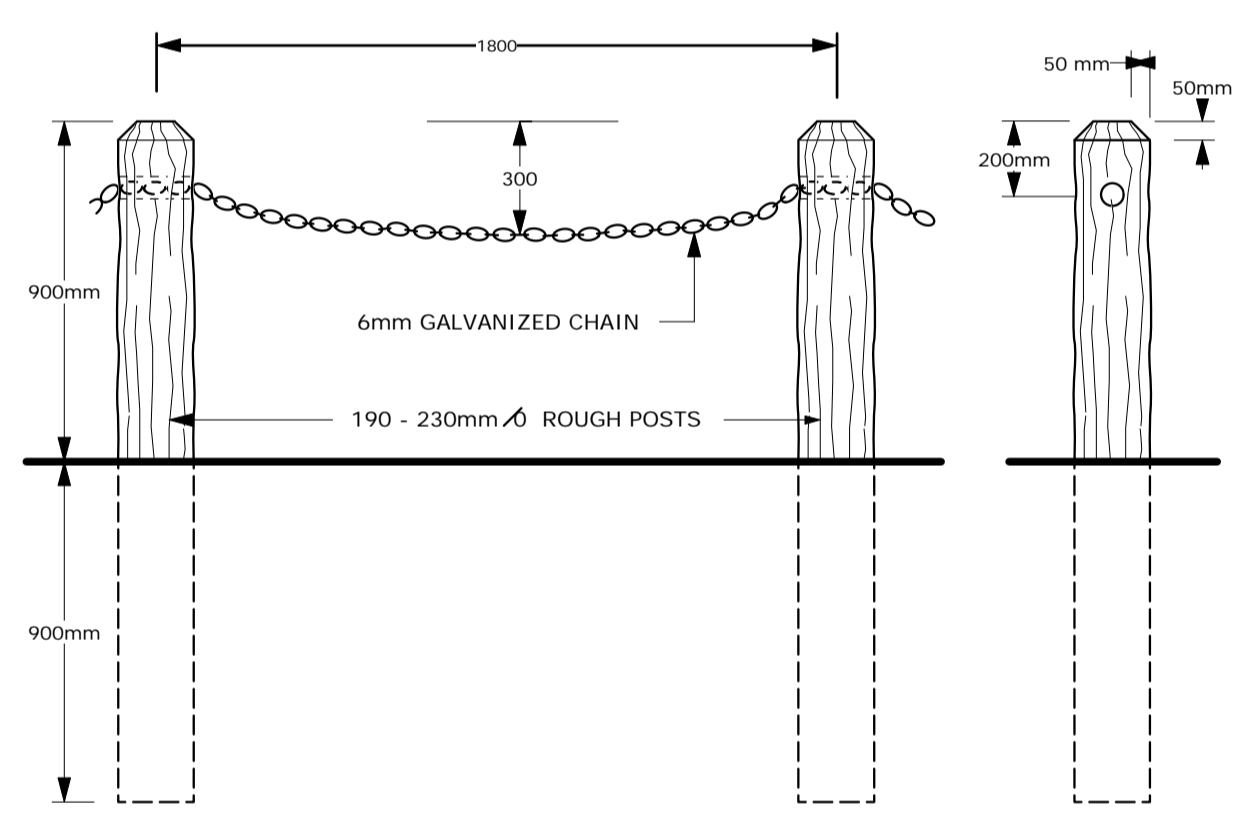
Toilers Park Site Plan



1 Sports Standard Base Detail For Hard Surfaces



2 Sports Standard Footing Detail

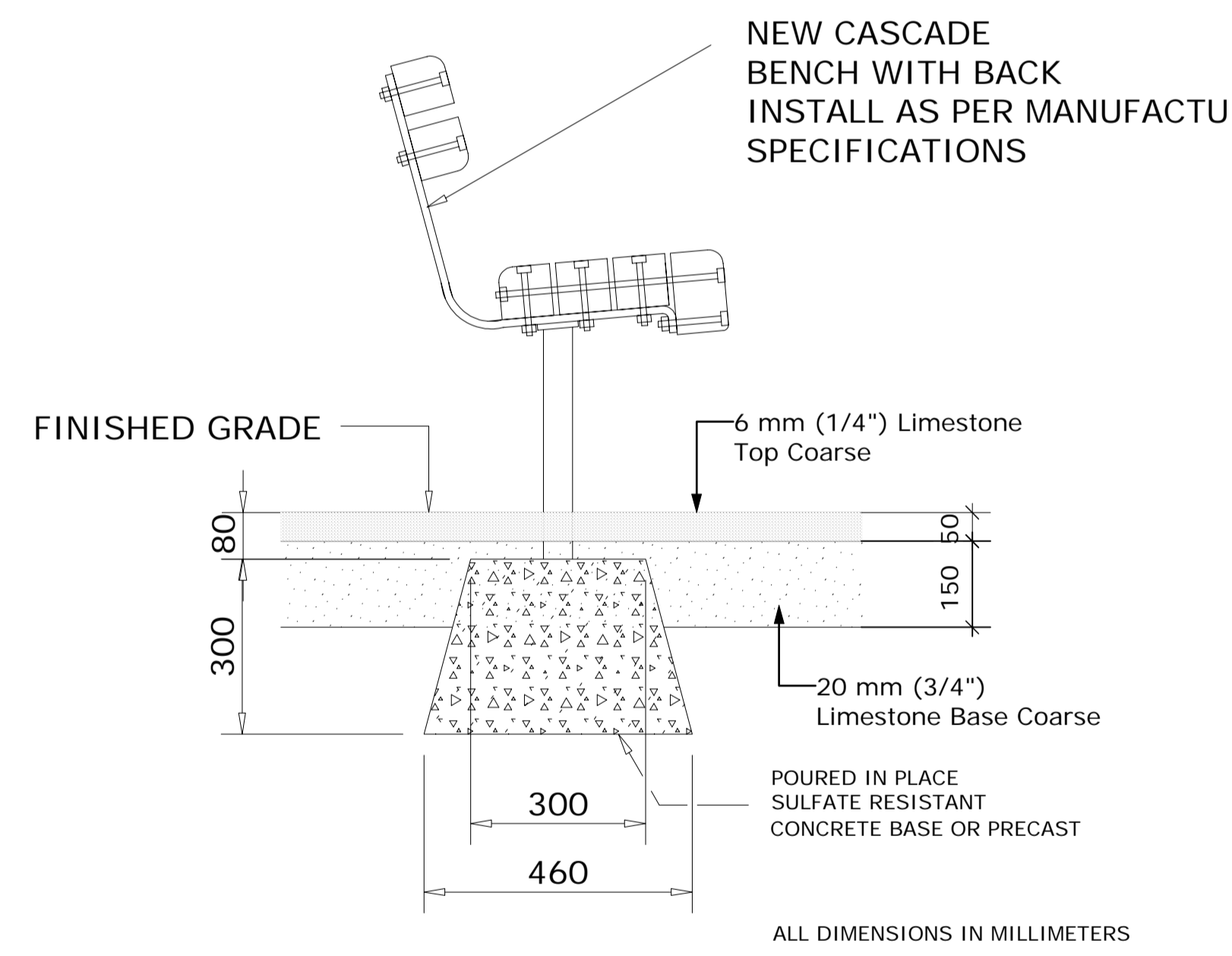


NOTE:

- WESTERN RED CEDAR, FREE OF BARK, SOLID CORE, AIR DRIED, PENTACHLOROPHENOL DIPPED AFTER SHAPING & DRILLING, - OR MANITOBA PINE, FREE OF BARK, SOLID CORE, ROUGH NOT TURNED & BOLDEN TREATED UNDER PRESSURE.
- SECURE CHAIN TO EACH POST WITH TWO ONLY 90mm GALV. NAILS TO PREVENT CHAIN SLIPPING. DRAPE CHAIN AS INDICATED.
- ALL POSTS THOROUGHLY TAMPED AND EARTH MOUNDED APPROX. 100mm AT EACH POST FOR FUTURE SETTLING. SURPLUS EARTH TO BE LEGALLY DISPOSED OF.
- FENCE POSTS ARE TO FOLLOW THE NATURAL CONTOUR OF THE LAND EXCEPT FOR SMALL UNDULATIONS WHICH WOULD TEND TO REDUCE THE AESTHETIC APPEARANCE OF THE FINISHED PRODUCT.

NOTE:
ALL DIMENSIONS SHOWN ARE IN MILLIMETERS.

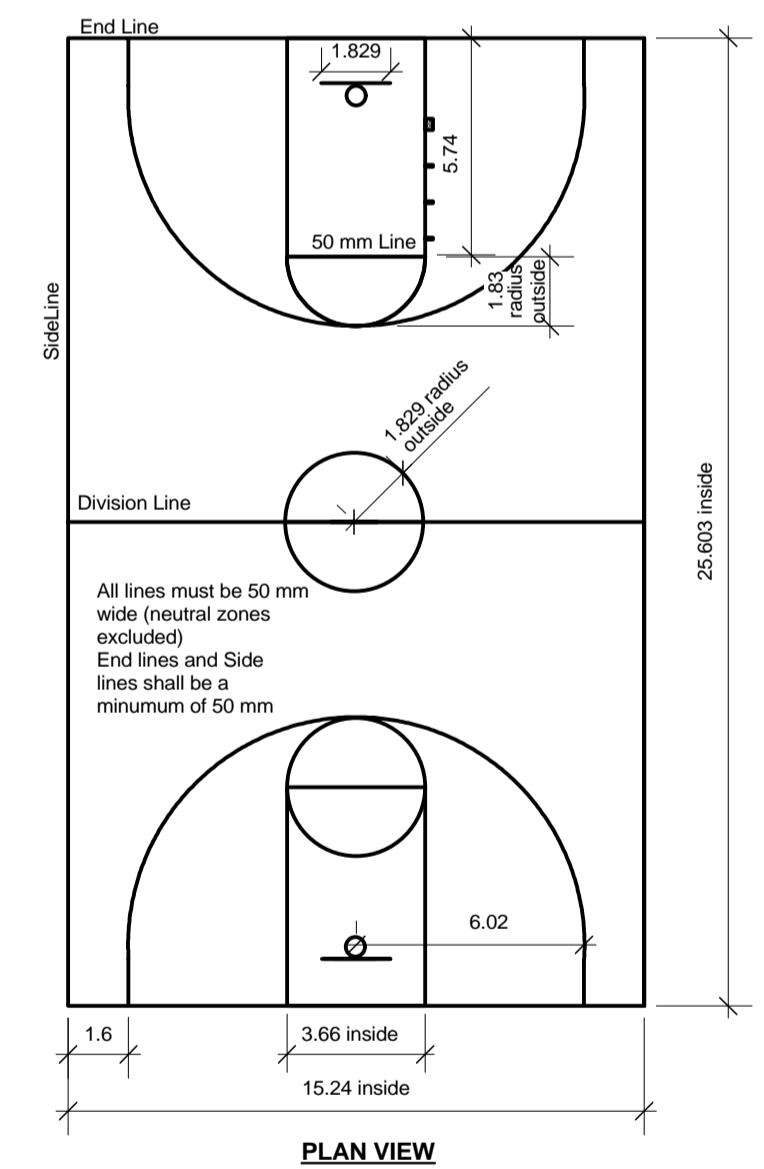
3 Post & Chain Detail



NEW CASCADE BENCH WITH BACK INSTALL AS PER MANUFACTURER SPECIFICATIONS

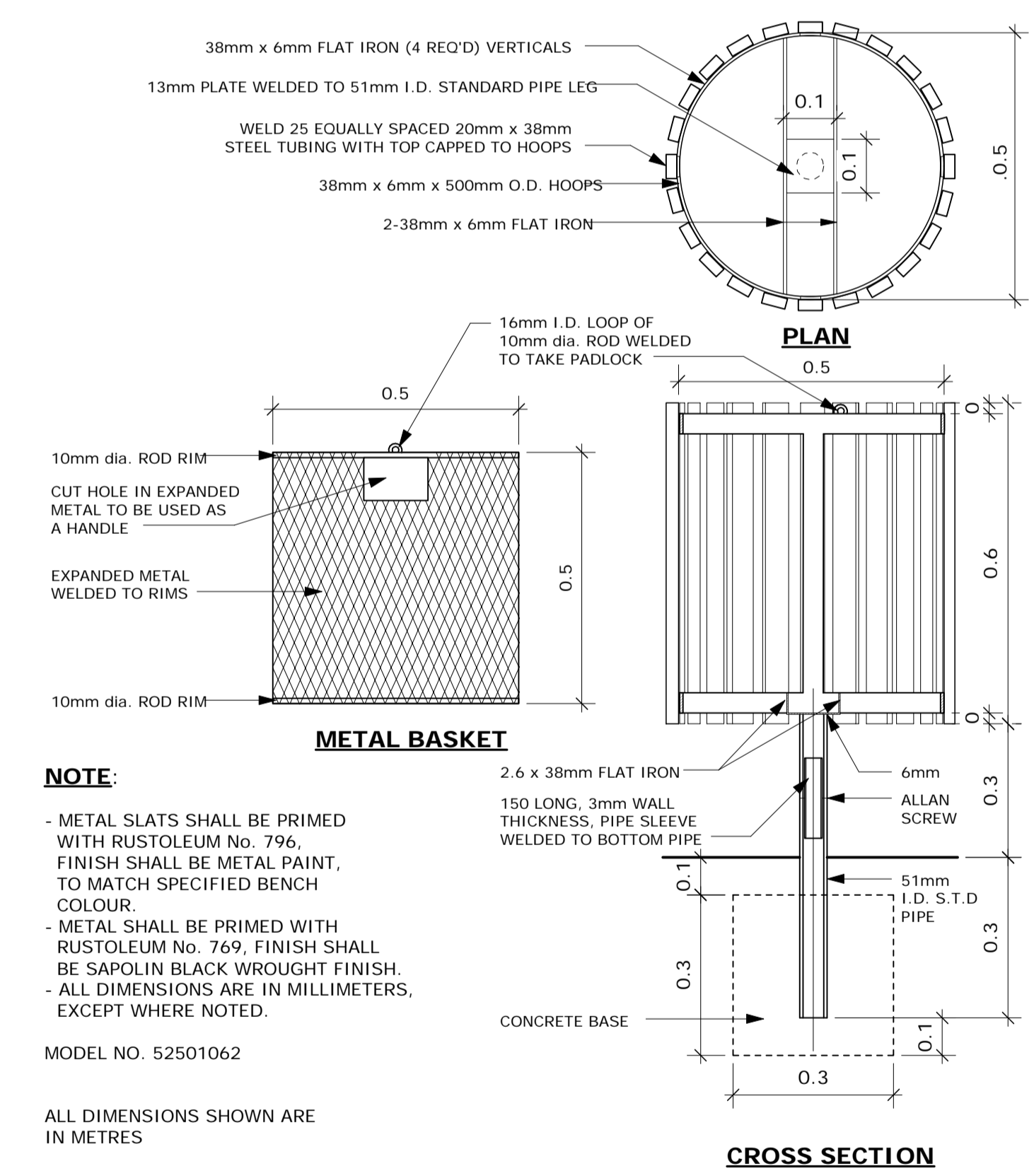
ALL DIMENSIONS IN MILLIMETERS

4 Cascade Bench With Back



NOTE: Court diagram as used by Basketball Manitoba.

5 Byng Park Basketball Line Painting



NOTE:

- METAL SLATS SHALL BE PRIMED WITH RUSTOLEUM NO. 796. FINISH SHALL BE METAL PAINT, TO MATCH SPECIFIED BENCH COLOUR.
- METAL SHALL BE PRIMED WITH RUSTOLEUM NO. 769. FINISH SHALL BE SAPOLIN BLACK WROUGHT FINISH.
- ALL DIMENSIONS ARE IN MILLIMETERS, EXCEPT WHERE NOTED.

ALL DIMENSIONS SHOWN ARE IN METRES

6 Ornametal Waste Receptacle

Original Drawing Size: A1 - 594 mm x 841 mm

WATERMAIN	HYDRANT	VALVE	LAND DRAINAGE SEWER	WASTE WATER SEWER	MANHOLE	CATCH BASIN	CURB INLET	GAS
HYDRO	M.T.S.	CONCRETE	ASPHALT	PROPERTY LINE	SURVEY BAR	CURB STOP	C.B. LEAD	SIDEWALK
150mm W.W.	150mm W.W.	300mm L.D.S.	250mm W.W.S.	32.55	32.55	32.55	32.55	32.55
EXISTING	LEGEND - PLAN	PROPOSED	EXISTING	LEGEND - PLAN	PROPOSED	EXISTING	LEGEND - PROFILE	PROPOSED

LOCATION APPROVED UNDERGROUND STRUCTURES

SUPV. U/G STRUCTURES COMMITTEE DATE

NOTE:
LOCATION OF UNDERGROUND STRUCTURES AS SHOWN ARE BASED ON THE BEST INFORMATION AVAILABLE BUT NO GUARANTEE IS GIVEN THAT ALL EXISTING UTILITIES ARE SHOWN OR THAT THE GIVEN LOCATIONS ARE EXACT. CONFIRMATION OF EXISTENCE AND EXACT LOCATION OF ALL SERVICES MUST BE OBTAINED FROM THE INDIVIDUAL UTILITIES BEFORE PROCEEDING WITH CONSTRUCTION.

B.M. ELEV.	NO. REVISIONS	DATE	BY

THIS DRAWING SHALL NOT BE USED FOR CONSTRUCTION PURPOSES UNTIL SIGNED BELOW.

THE CONTRACTOR SHALL CHECK ALL DIMENSIONS AND OTHER DATA ON SITE AND REPORT ANY DISCREPANCIES TO THE CONTRACT ADMINISTRATOR.

FIGURED DIMENSIONS TO BE TAKEN IN PREFERENCE TO SCALED DIMENSIONS.

DESIGNED BY: j.f. CHECKED BY: j.f. RELEASED FOR CONSTRUCTION

DRAWN BY: j.f. APPROVED BY: j.f. MANAGER, PARKS AND OPEN SPACE DATE

HORI SCALE: As Shown VERT SCALE: As Shown DIRECTOR OF PLANNING, PROPERTY AND DEVELOPMENT DEPARTMENT DATE

DATE: March 2008

ENGINEER'S / LANDSCAPE ARCHITECT'S SEAL

THE CITY OF WINNIPEG
Planning, Property and Development Department
Planning and Land Use Division
Unit 15 - 30 Fort Street, Winnipeg, Manitoba R3C 4X5

Winnipeg

DRAWING TITLE: Byng /Toilers Park Proposed Asphalt Basketball Court Drawing Details

CAD DRAWING NO. SHEET 2 OF 2 DRAWING NO. T.14-F