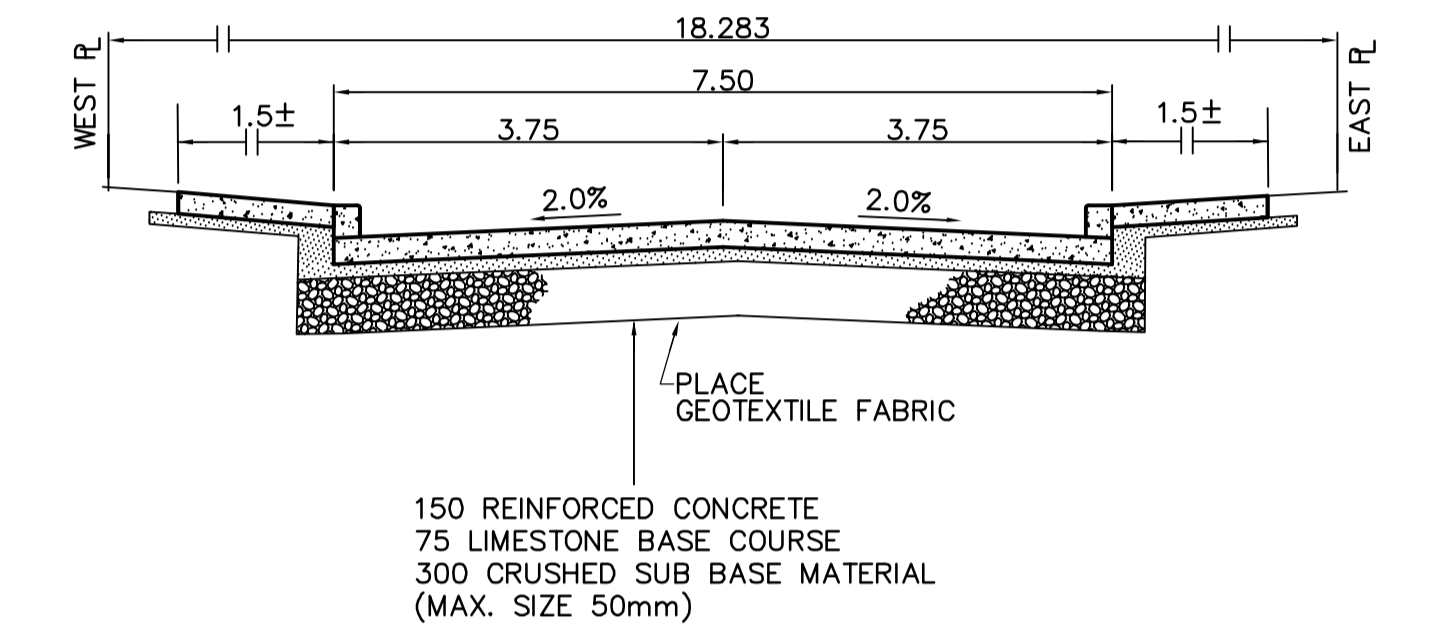
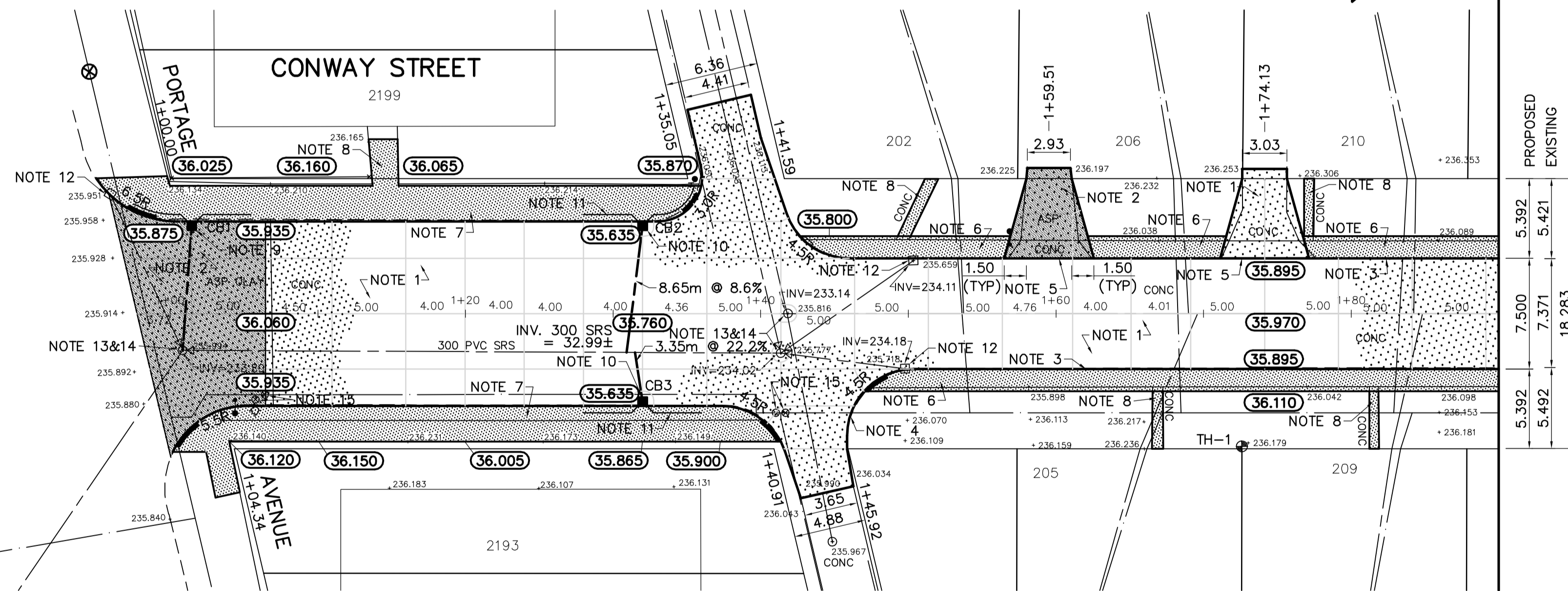


**PAVEMENT RECONSTRUCTION SECTION WITH MONOLITHIC CURB AND SIDEWALK**  
NTS



**PAVEMENT RECONSTRUCTION SECTION WITH BARRIER CURB AND SIDEWALK**  
NTS



DESCRIPTION	RIM	INVERT			
		NORTH	SOUTH	EAST	WEST
CB 1	35.875			34.275	
CB 2	35.635			34.035	
CB 3	35.635				34.035

**REFERENCE NOTES**

- A. PAVEMENT DIMENSIONS ARE TO BACK OF CURB
- B. ADD 200.000 TO DESIGN ELEVATIONS TO OBTAIN GEODETIC DATUM
- C. BASELINE IS CENTRE LINE RIGHT-OF-WAY
- D. PROPERTY LINES OBTAINED FROM CITY OF WINNIPEG L.B.I.S., AND NO SCALE FACTOR WAS APPLIED
- E. REFER TO DRAWING CU01 FOR LAND DRAINAGE WORKS
- F. REFER TO EARTH TECH FIELD BOOK NO. 4575

**CONSTRUCTION NOTES**

1. REMOVE EXISTING PAVEMENT AND CONSTRUCT NEW 150mm REINFORCED CONCRETE PAVEMENT
2. REMOVE EXISTING PAVEMENT AND CONSTRUCT NEW 150mm REINFORCED CONCRETE PAVEMENT c/w 50mm ASPHALT OVERLAY (TYPE 1A)
3. CONSTRUCT NEW CONCRETE BARRIER CURB (180mm HT, SEPARATE)
4. CONSTRUCT NEW MODIFIED CONCRETE BARRIER CURB (180mm HT, INTEGRAL)
5. CONSTRUCT NEW MOUNTABLE CURB (50mm HT, INTEGRAL)
6. CONSTRUCT NEW 100mm CONCRETE SIDEWALK
7. CONSTRUCT NEW MONOLITHIC CURB AND SIDEWALK
8. RENEW EXISTING CONCRETE PRIVATE SIDEWALK
9. INSTALL NEW CURB AND GUTTER INLET c/w CATCH BASIN (SD-024) AND CONNECT NEW 250mm LEAD TO EXISTING MANHOLE
10. INSTALL NEW CURB AND GUTTER INLET c/w CATCH BASIN (SD-024) AND CONNECT NEW 250mm LEAD TO EXISTING 300mm STORM RELIEF SEWER
11. INSTALL 150mm SUBDRAIN
12. REMOVE EXISTING CATCH BASIN
13. ADJUST EXISTING MANHOLE/CATCH BASIN TO GRADE
14. INSTALL NEW CAST IRON RISER RING
15. ADJUST EXISTING WATER VALVE TO GRADE

**METRIC**  
WHOLE NUMBERS INDICATE MILLIMETRES  
DECIMALIZED NUMBERS INDICATE METRES



EXISTING	LEGEND - PLAN	PROPOSED	EXISTING	LEGEND - PLAN	PROPOSED	EXISTING	LEGEND - PROFILE	PROPOSED
150 mm W.M.	WATERMAIN	150 mm W.M.	HYDRO	HYDRO	HYDRO	⊗	PROFILE	PROFILE
⊕	HYDRANT	⊕	M.T.S.	M.T.S.	M.T.S.	⊕	WEST GUTTER	WEST GUTTER
⊙	VALVE	⊙	CONCRETE	CONCRETE	CONCRETE	⊕	EAST GUTTER	EAST GUTTER
300mm L.D.S.	LAND DRAINAGE SEWER	300mm L.D.S.	ASPHALT	ASPHALT	ASPHALT	⊕	WEST PROPERTY LINE	WEST PROPERTY LINE
250mm W.W.S.	WASTEWATER SEWER	250mm W.W.S.	PROPERTY LINE	PROPERTY LINE	PROPERTY LINE	⊕	EAST PROPERTY LINE	EAST PROPERTY LINE
○	MANHOLE	○	SURVEY BAR	SURVEY BAR	SURVEY BAR	⊕		
□	CATCH BASIN	□	ELEVATION	ELEVATION	ELEVATION	(32.750)		
▽	CURB INLET	▽	TREE	TREE	TREE			
+	JUNCTIONS	+	SIDEWALK RAMP	SIDEWALK RAMP	SIDEWALK RAMP			
—	CULVERT	—	CONCRETE SIDEWALK	CONCRETE SIDEWALK	CONCRETE SIDEWALK			
—	GAS	—	FENCE	FENCE	FENCE			

**LOCATION APPROVED UNDERGROUND STRUCTURES**

SUPV. U/G STRUCTURES DATE COMMITTEE

**NOTE:**  
LOCATION OF UNDERGROUND STRUCTURES AS SHOWN ARE BASED ON THE BEST INFORMATION AVAILABLE, BUT NO GUARANTEE IS GIVEN THAT ALL EXISTING UTILITIES ARE SHOWN OR THAT THE GIVEN LOCATIONS ARE EXACT. CONFIRMATION OF EXISTENCE AND EXACT LOCATION OF ALL SERVICES MUST BE OBTAINED FROM THE INDIVIDUAL UTILITIES BEFORE PROCEEDING WITH CONSTRUCTION.

B.M. 39-007 1/4 in. Conc. platform of pump house, S. of Portage Ave. @ Conway St., 0.4m S.W. of N.E. Cor. of platform.



DESIGNED BY	BC	CHECKED BY	TGS
DRAWN BY	BC	APPROVED BY	
HOR. SCALE:	1:250	RELEASED FOR CONSTRUCTION BY:	
VERTICAL:	1:10	DATE	03/07/2008
NO. REVISIONS		DATE	

ENGINEER'S SEAL  
PROVINCE OF MANITOBA  
ORIGINAL SIGNED  
T.G. SMITH  
MAY 13/08  
REGISTERED PROFESSIONAL ENGINEER

CONSULTANT DRAWING NO. CT04

**THE CITY OF WINNIPEG**  
PUBLIC WORKS DEPARTMENT  
TRANSPORTATION ENGINEERING DIVISION

**CONWAY STREET**  
PORTAGE AVENUE TO LODGE AVENUE

CITY DRAWING NUMBER  
SHEET 1 OF 3

PAVEMENT RECONSTRUCTION  
PLAN/PROFILE  
PORTAGE AVENUE TO STATION 1+90