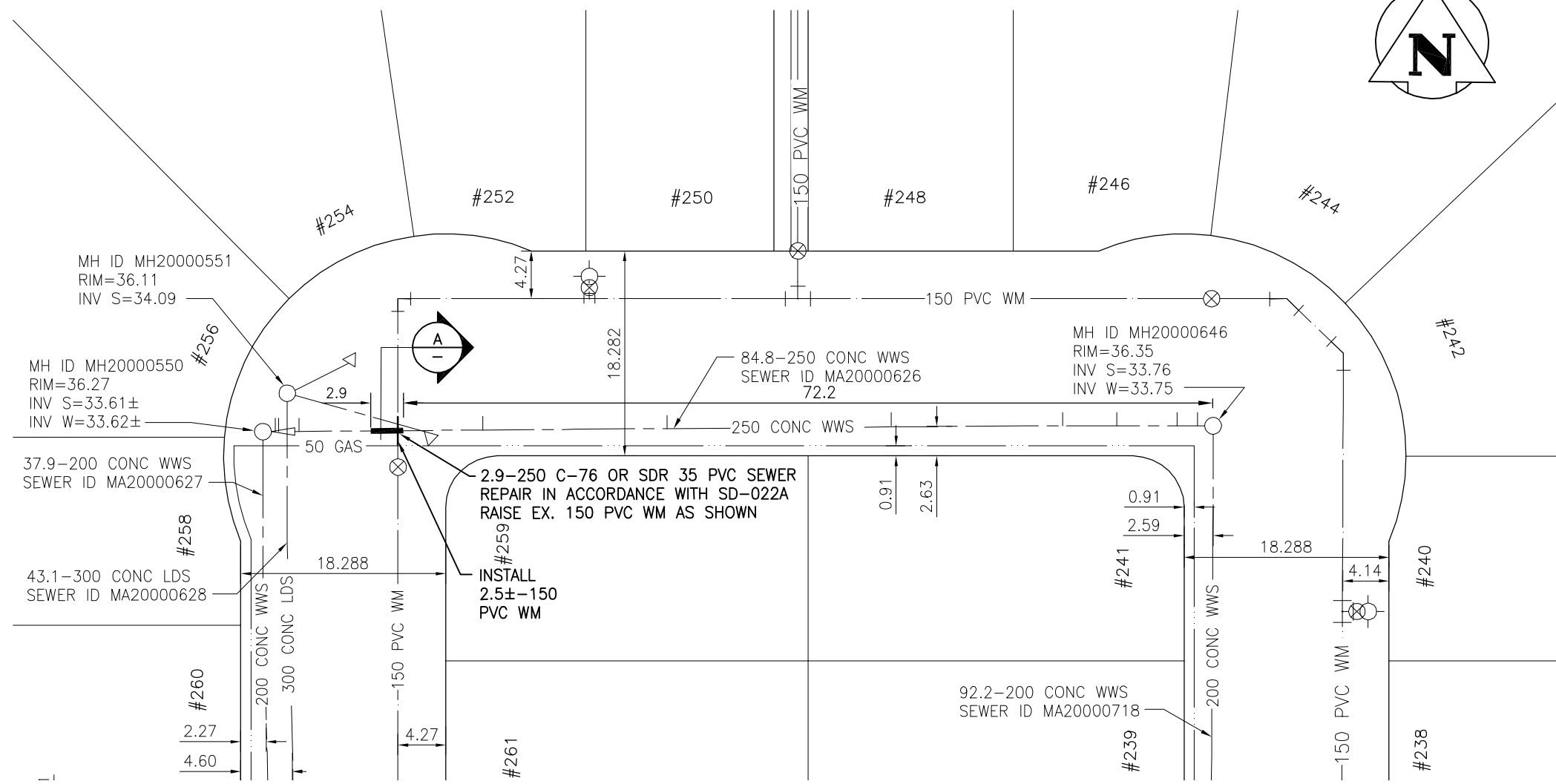
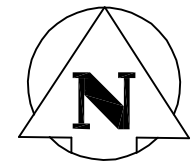


# BANCROFT BY (N LEG)

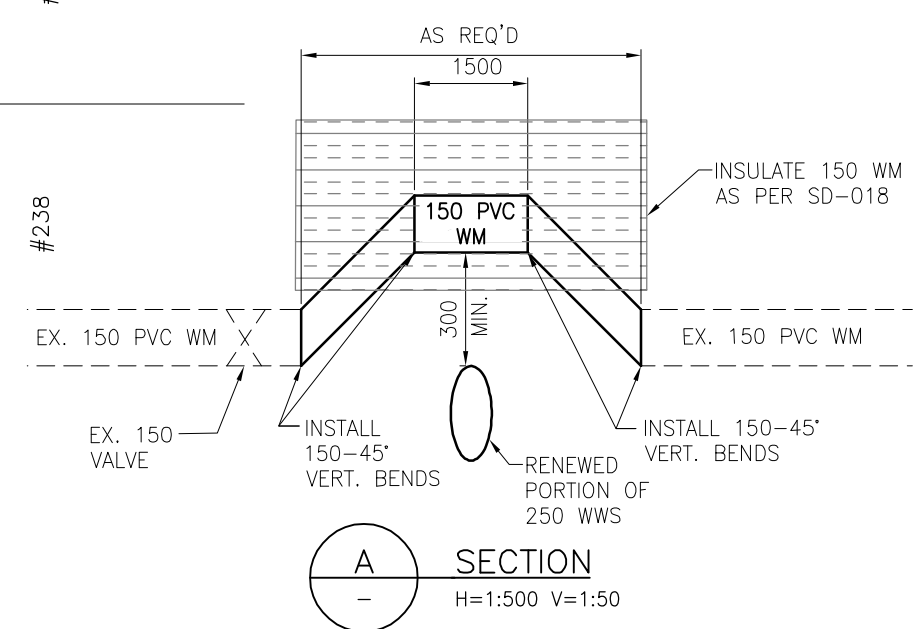


## SEWER JUNCTION INFORMATION

REFERENCE-METERS WEST OF MANHOLE MH20000646

DIST. FROM REF. MANHOLE	JUNCTION DIA.	CLOCK REF.	SERVICE TYPE
1.4	150	03	CN
3.2	150	02	JN
8.6	150	03	CN
13.4	150	03	CNI
28.7	150	03	JN
48.7	150	02	JN
65.1	150	02	JN
81.5	150	02	JN
83.3	150	03	CN
83.6	150	02	CN

ALL JUNCTION INFORMATION BASED ON CCTV INSPECTION



### METRIC

WHOLE NUMBERS INDICATE MILLIMETRES  
DECIMALIZED NUMBERS INDICATE METRES

### WARNING

IF POWER EQUIPMENT OR EXPLOSIVES ARE TO BE USED FOR EXCAVATION ON THIS PROJECT THE CONTRACTOR MUST:  
1) NOTIFY THE GAS COMPANY OF THE PROPOSED LOCATION OF EXCAVATION.  
2) TAKE PRECAUTION TO AVOID DAMAGE TO GAS COMPANY INSTALLATIONS.  
SEE PROVINCIAL REGULATION 140/92 FOR DETAILS

BENCH MARK: S.E. Cor. Ness Ave. & Muriel St., Tblt. in most Nly. Conc. foundation Ness Junior High School, 2.5 m W. & 0.1 m below brick of N.E. Cor. of dwelling

**APEGM**  
Certificate of Authorization  
Stantec Consulting Ltd.  
No. 1301 Expiry: April 30, 2009

BID OPPORTUNITY 391-2008

### LOCATION APPROVED UNDERGROUND STRUCTURES

SUPV. U/G STRUCTURES COMMITTEE DATE  
NOTE:  
LOCATION OF UNDERGROUND STRUCTURES AS SHOWN ARE BASED ON THE BEST INFORMATION AVAILABLE BUT NO GUARANTEE IS GIVEN THAT ALL EXISTING UTILITIES ARE SHOWN OR THAT THE GIVEN LOCATIONS ARE EXACT. CONFIRMATION OF EXISTENCE AND EXACT LOCATION OF ALL SERVICES MUST BE OBTAINED FROM THE INDIVIDUAL UTILITIES BEFORE PROCEEDING WITH CONSTRUCTION.

B.M. 40-025  
ELEV. 237.482m

NO.	REVISIONS	DATE	BY

**Stantec Consulting Ltd.**  
905 Waverley Street, Winnipeg, Manitoba  
Tel 204-489-5900 Fax 204-453-9012

DESIGNED BY J.K.H.	CHECKED BY W.A.B.
DRAWN BY J.K.H.	APPROVED BY H.A.K.
HOR. SCALE: 1:500	RELEASED FOR CONSTRUCTION: 
VERTICAL: N/A	DATE 
DATE 08.04.22	DATE 

ENGINEER'S SEAL

H.A. KATZ  
REGISTERED PROFESSIONAL ENGINEER

CONSULTANT DRAWING NO.  
C-211

**THE CITY OF WINNIPEG**  
WATER AND WASTE DEPARTMENT

2008 WATERMAIN RENEWALS, SEWER RENEWALS, AND EXTERNAL POINT REPAIRS - CONTRACT 7  
BANCROFT BY (N LEG)  
MH AT BANCROFT BY S. LEG TO MH AT BANCROFT BY W. LEG  
250 WWS POINT REPAIR

SHEET II	OF 26
CAD FILE DRAWING NUMBER 10340c-210-702.dwg	
CITY DRAWING NUMBER 08513	

V:\1112\active\111210340\drawing\402\_design\sheet\_files\10340c-210-702.dwg 2008-05-08 10:26AM By: wguttek