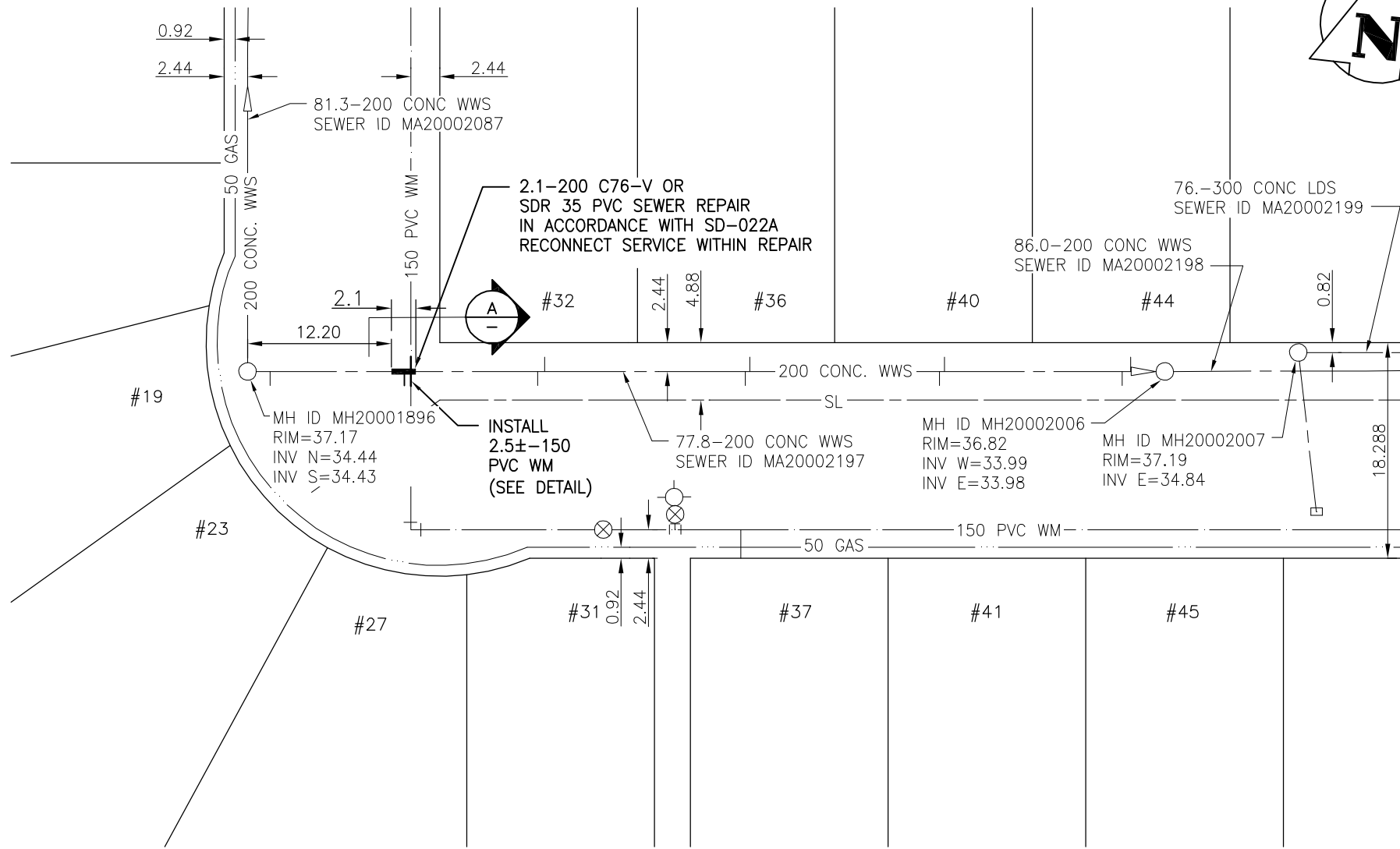
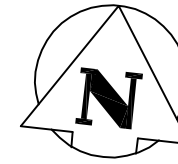


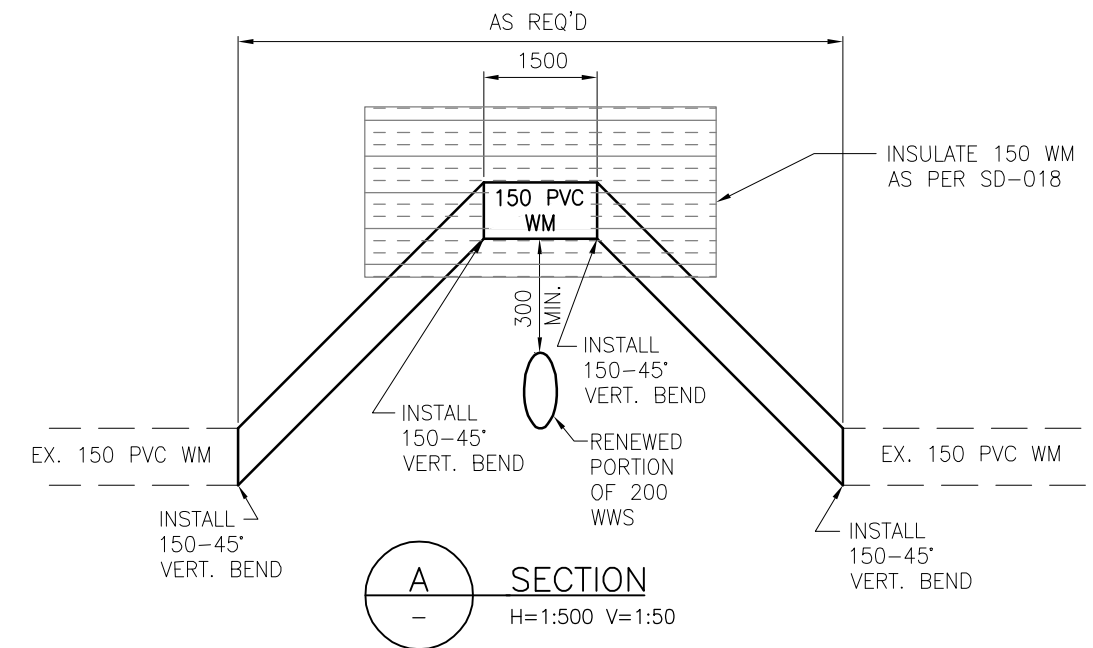
MAKINAK BAY



SEWER JUNCTION INFORMATION  
REFERENCE-METERS EAST OF MANHOLE MH20001896

DIST. FROM REF. MANHOLE	JUNCTION DIA.	CLOCK REF.	SERVICE TYPE
1.9	150	02	CN
13.3	150	02	CN
24.6	150	02	CN
25.2	150	09	CN
42.2	100	03	CN
42.6	150	09	CN
58.7	150	02	CN
59.1	150	10	CN
74.2	150	02	CN
74.9	150	09	CN

ALL JUNCTION INFORMATION  
BASED ON CCTV INSPECTION



METRIC

WHOLE NUMBERS INDICATE MILLIMETRES  
DECIMALIZED NUMBERS INDICATE METRES

WARNING

IF POWER EQUIPMENT OR EXPLOSIVES ARE TO BE USED FOR EXCAVATION ON THIS PROJECT THE CONTRACTOR MUST:  
1) NOTIFY THE GAS COMPANY OF THE PROPOSED LOCATION OF EXCAVATION.  
2) TAKE PRECAUTION TO AVOID DAMAGE TO GAS COMPANY INSTALLATIONS.  
SEE PROVINCIAL REGULATION 140/92 FOR DETAILS

BENCH MARK: N. side Voyageur Ave. @ Moccasin Bay, tblt. in S. conc. foundation of Voyageur School, 3.5m W. & 0.2m below tyndall stone of S.E. cor. of school.



Certificate of Authorization

Stantec Consulting Ltd.

No. 1301 Expiry: April 30, 2009

BID OPPORTUNITY 391-2008

LOCATION APPROVED  
UNDERGROUND STRUCTURES

SUPV. U/G STRUCTURES COMMITTEE DATE

NOTE:  
LOCATION OF UNDERGROUND STRUCTURES AS SHOWN ARE BASED ON THE BEST INFORMATION AVAILABLE BUT NO GUARANTEE IS GIVEN THAT ALL EXISTING UTILITIES ARE SHOWN OR THAT THE GIVEN LOCATIONS ARE EXACT. CONFIRMATION OF EXISTENCE AND EXACT LOCATION OF ALL SERVICES MUST BE OBTAINED FROM THE INDIVIDUAL UTILITIES BEFORE PROCEEDING WITH CONSTRUCTION.

B.M. 40-019  
ELEV. 238.102m

NO.	REVISIONS	DATE	BY

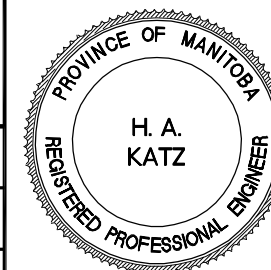


Stantec Consulting Ltd.

905 Waverley Street, Winnipeg, Manitoba  
Tel 204-489-5900 Fax 204-453-9012

DESIGNED BY	J.K.H.	CHECKED BY	W.A.B.
DRAWN BY	W.B.G.	APPROVED BY	H.A.K.
HOR. SCALE:	1:500	RELEASED FOR CONSTRUCTION:	
VERTICAL:	N/A	DATE	
DATE	08.04.22	DATE	

ENGINEER'S SEAL



CONSULTANT DRAWING NO.  
C-222



THE CITY OF WINNIPEG  
WATER AND WASTE DEPARTMENT

2008 WATERMAIN RENEWALS, SEWER RENEWALS, AND EXTERNAL POINT REPAIRS - CONTRACT 7  
MAKINAK BAY (W. LEG)  
MH @ MAKINAK BAY (W. LEG) TO 1ST MH E. OF W. LEG  
200 WWS POINT REPAIR

SHEET	OF
22	26
CAD FILE DRAWING NUMBER 10340c-222-702.dwg	
CITY DRAWING NUMBER 08524	