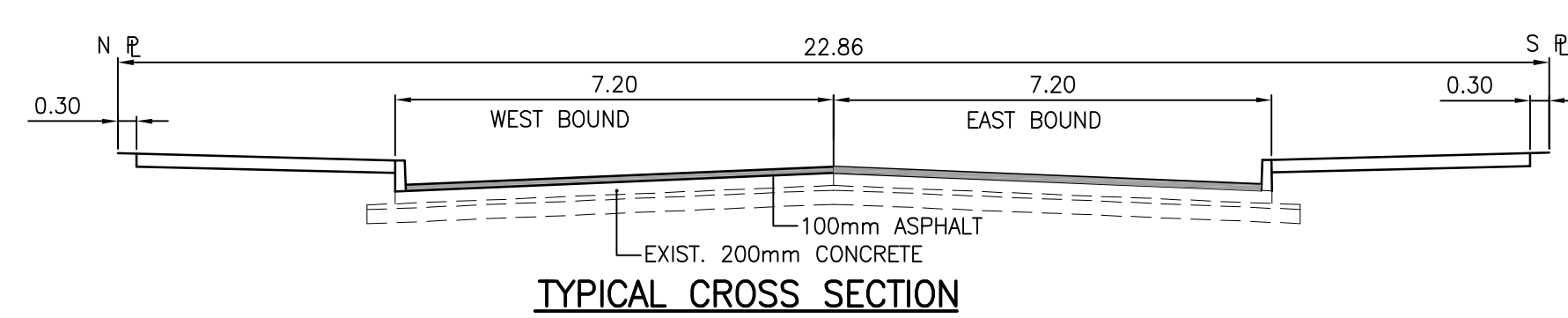
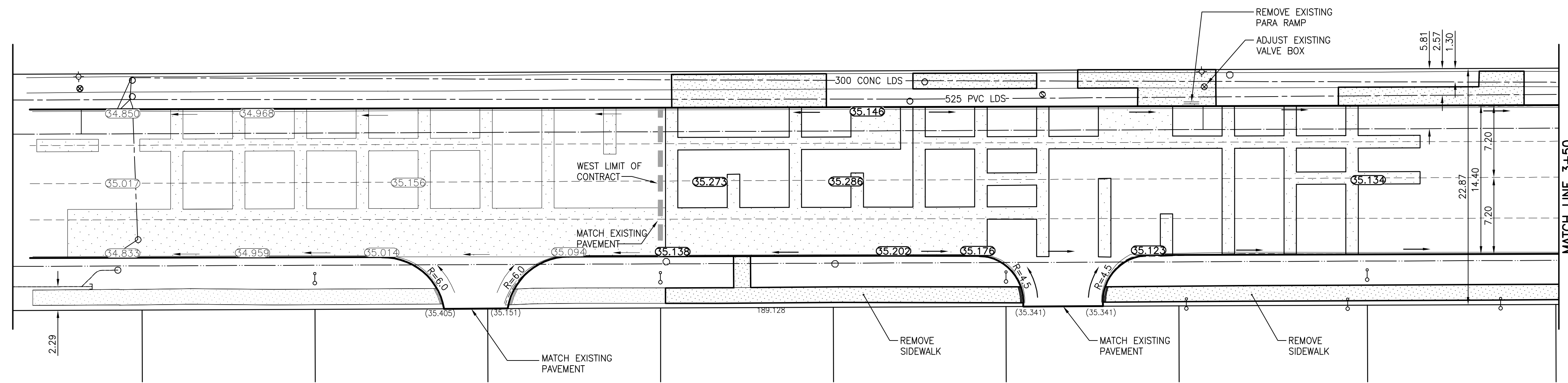
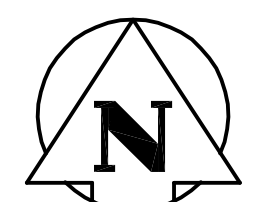


NESS AVENUE



MATCH LINE 3+50
SEE DRAWING C-202

WARNING

IF POWER EQUIPMENT OR EXPLOSIVES ARE TO BE USED FOR EXCAVATION ON THIS PROJECT THE CONTRACTOR MUST:
 1) NOTIFY THE GAS COMPANY OF THE PROPOSED LOCATION OF EXCAVATION.
 2) TAKE PRECAUTION TO AVOID DAMAGE TO GAS COMPANY INSTALLATIONS.
 SEE PROVINCIAL REGULATION 140/92 FOR DETAILS

METRIC

WHOLE NUMBERS INDICATE MILLIMETRES
 DECIMALIZED NUMBERS INDICATE METRES

- NOTES:**
- STATIONING ALONG NORTH BACK OF CURB OF NESS AVENUE
 - STREETLIGHT BASE ADJUSTMENT (BY OTHERS) (TYPICAL)
 - INSTALLATION OF WATERMAIN BY OTHERS.

BENCH MARK: 83r621 - N.E. cor. Ness Ave. & Woodlawn St., Tbit. on top of 0.05m dia. x 2.4m iron pipe, on N.L. of Ness Ave. & 1.2m W. of E.L. of Woodlawn St.

EXISTING		LEGEND-PLAN		PROPOSED		EXISTING		LEGEND-PROFILE		PROPOSED	
150 WM	WATERMAIN	150 WM	HYDRO	150 WM	WATERMAIN	150 WM	WATERMAIN	150 WM	HYDRANT, VALVE	150 WM	HYDRANT, VALVE
300 LDS	LAND DRAINAGE SEWER	300 LDS	CONCRETE	300 LDS	LAND DRAINAGE SEWER	300 LDS	CONCRETE	300 LDS	LAND DRAINAGE SEWER	300 LDS	LAND DRAINAGE SEWER
250 WWS	WASTE WATER SEWER	250 WWS	ASPHALT	250 WWS	WASTE WATER SEWER	250 WWS	ASPHALT	250 WWS	WASTE WATER SEWER	250 WWS	WASTE WATER SEWER
MANHOLE	MANHOLE	MANHOLE	SIDEWALK	MANHOLE	MANHOLE	MANHOLE	SIDEWALK	MANHOLE	MANHOLE	MANHOLE	MANHOLE
CATCH BASIN	CATCH BASIN	CATCH BASIN	PROPERTY LINE	CATCH BASIN	CATCH BASIN	CATCH BASIN	PROPERTY LINE	CATCH BASIN	CATCH BASIN	CATCH BASIN	CATCH BASIN
CURB INLET	CURB INLET	CURB INLET	SURVEY BAR	CURB INLET	CURB INLET	CURB INLET	SURVEY BAR	CURB INLET	CURB INLET	CURB INLET	CURB INLET
JUNCTIONS	JUNCTIONS	JUNCTIONS	DITCH	JUNCTIONS	JUNCTIONS	JUNCTIONS	DITCH	JUNCTIONS	JUNCTIONS	JUNCTIONS	JUNCTIONS
CULVERT	CULVERT	CULVERT	ELEVATION	CULVERT	CULVERT	CULVERT	ELEVATION	CULVERT	CULVERT	CULVERT	CULVERT
GAS	GAS	GAS	SIDEWALK RAMP	GAS	GAS	GAS	SIDEWALK RAMP	GAS	GAS	GAS	GAS

LOCATION APPROVED UNDERGROUND STRUCTURES

SUPV. U/G STRUCTURES COMMITTEE DATE

NOTE:
 LOCATION OF UNDERGROUND STRUCTURES AS SHOWN ARE BASED ON THE BEST INFORMATION AVAILABLE BUT NO GUARANTEE IS GIVEN THAT THE GIVEN LOCATIONS ARE EXACT. CONFIRMATION OF EXISTENCE AND EXACT LOCATION OF ALL SERVICES MUST BE OBTAINED FROM THE INDIVIDUAL UTILITIES BEFORE PROCEEDING WITH CONSTRUCTION.

NO.	REVISIONS	DATE	BY
3	ISSUED FOR TENDER	08.05.29	K.A.R.
2	REISSUED FOR CLIENT REVIEW	08.01.27	T.G.
1	ISSUED FOR CLIENT REVIEW	07.03.07	J.M.B.

Stantec Consulting Ltd.
 905 Waverley Street, Winnipeg, Manitoba
 Tel 204-489-5900 Fax 204-453-9012

DESIGNED BY: V.M.M. CHECKED BY: K.A.R.
 DRAWN BY: J.M.B. APPROVED BY: K.A.R.

HOR. SCALE: 1:250
 VERTICAL: 1:10

RELEASED FOR CONSTRUCTION:
 F. COREY
 DATE: MAY 29, 2008

ENGINEER'S SEAL

ORIGINAL SEALED BY
 K.A. ROSIN
 P. ENG.
 08.05.29

CONSULTANT DRAWING NO.
 C-201

THE CITY OF WINNIPEG
 TRANSPORTATION ENGINEERING DIVISION

NESS AVENUE (WESTBOUND)
 150m W OF CONWAY ST. TO BELVIDERE ST.
 150m W. OF CONWAY ST. TO STA. 3+50
 CONCRETE REPAIRS AND ASPHALT RESURFACING

SHEET 2 OF 7
 CAD FILE DRAWING NUMBER
 04560c-201-675.dwg
 CITY DRAWING NUMBER
 P-3277-02