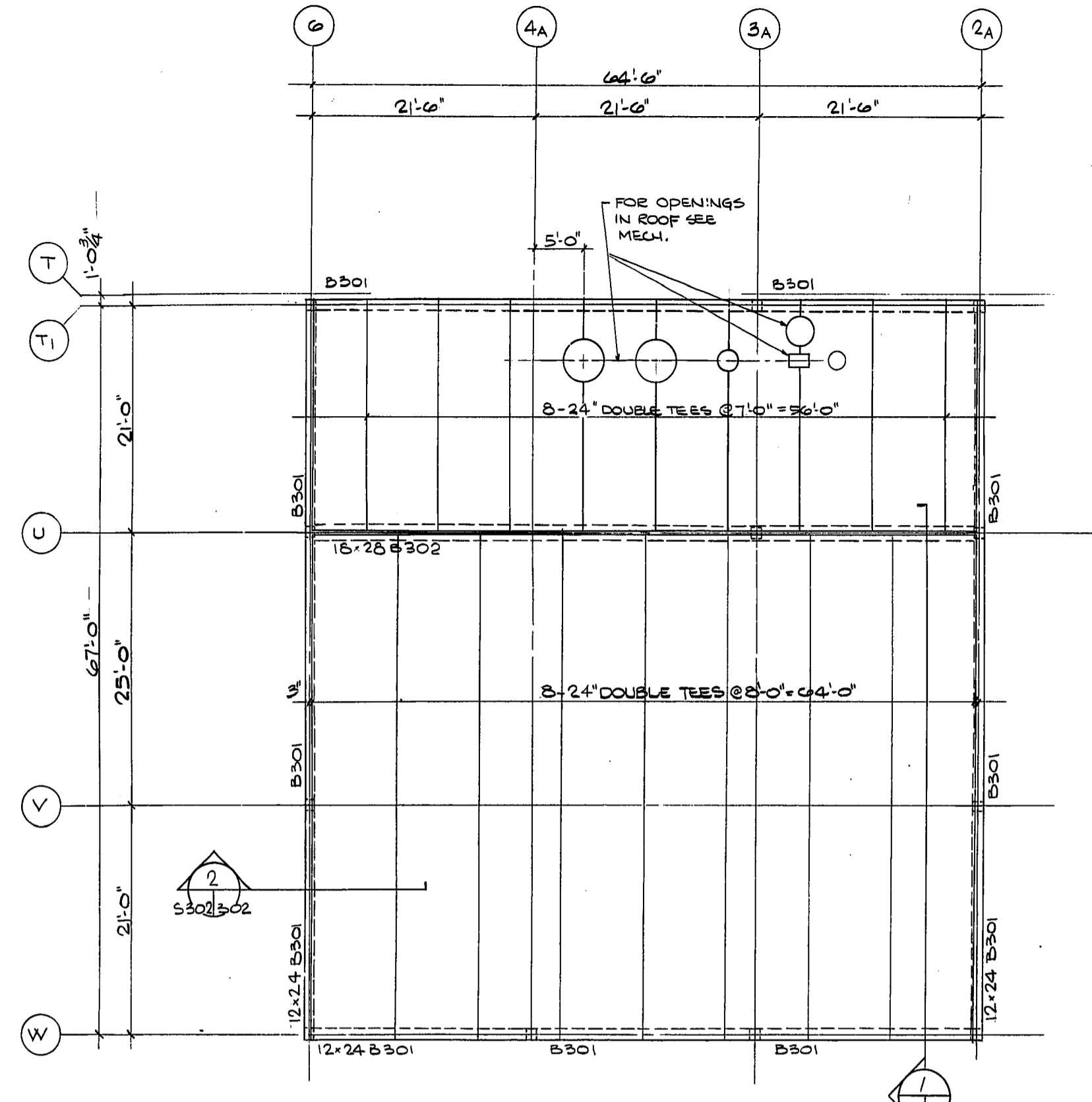
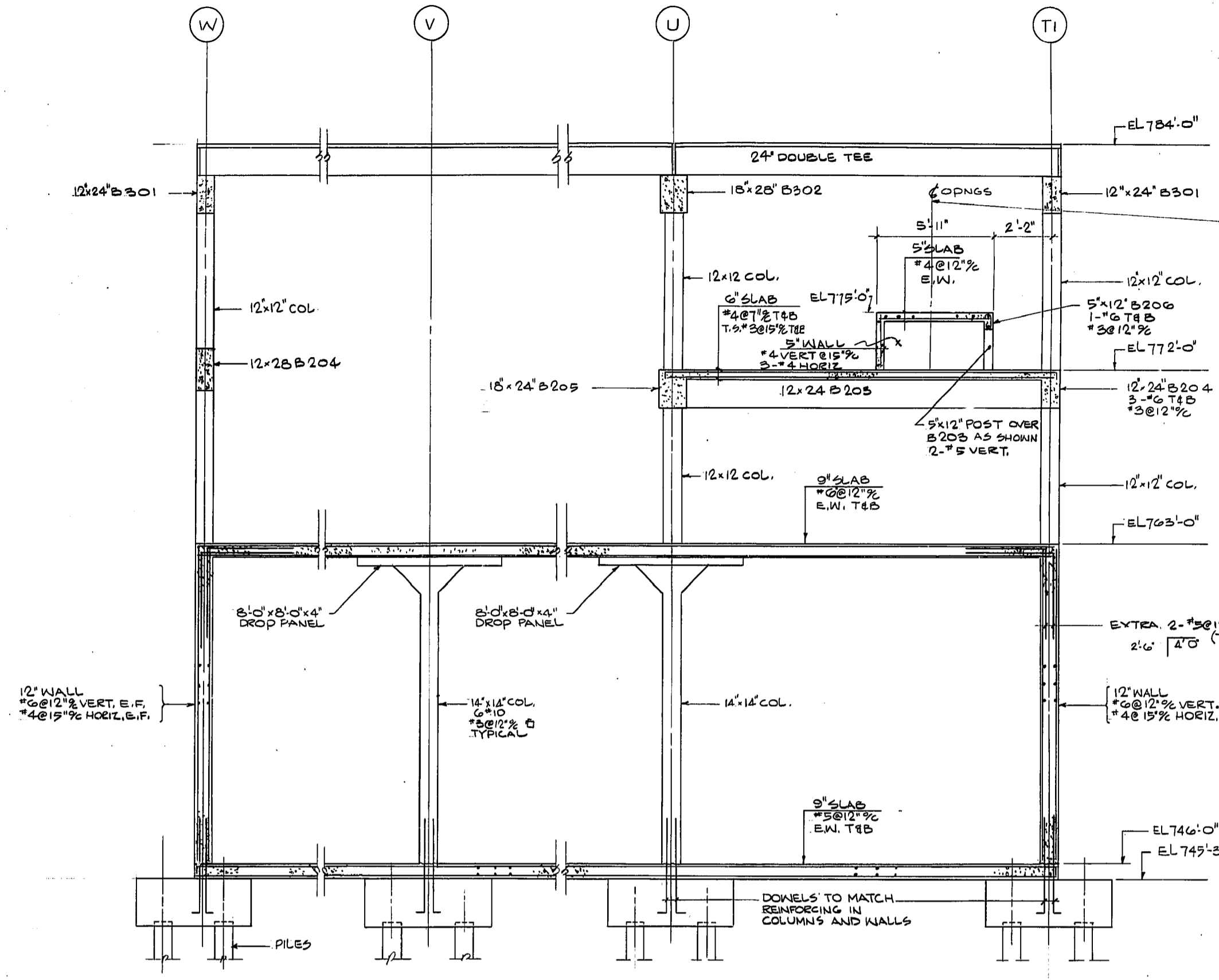


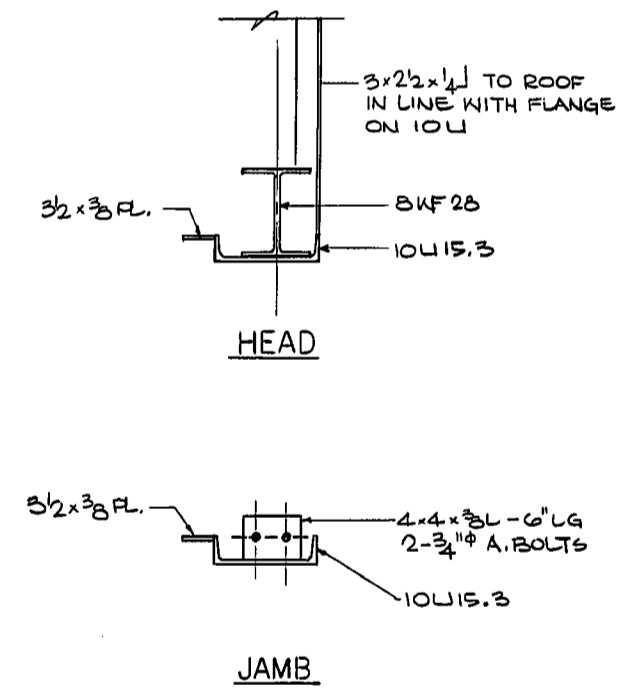
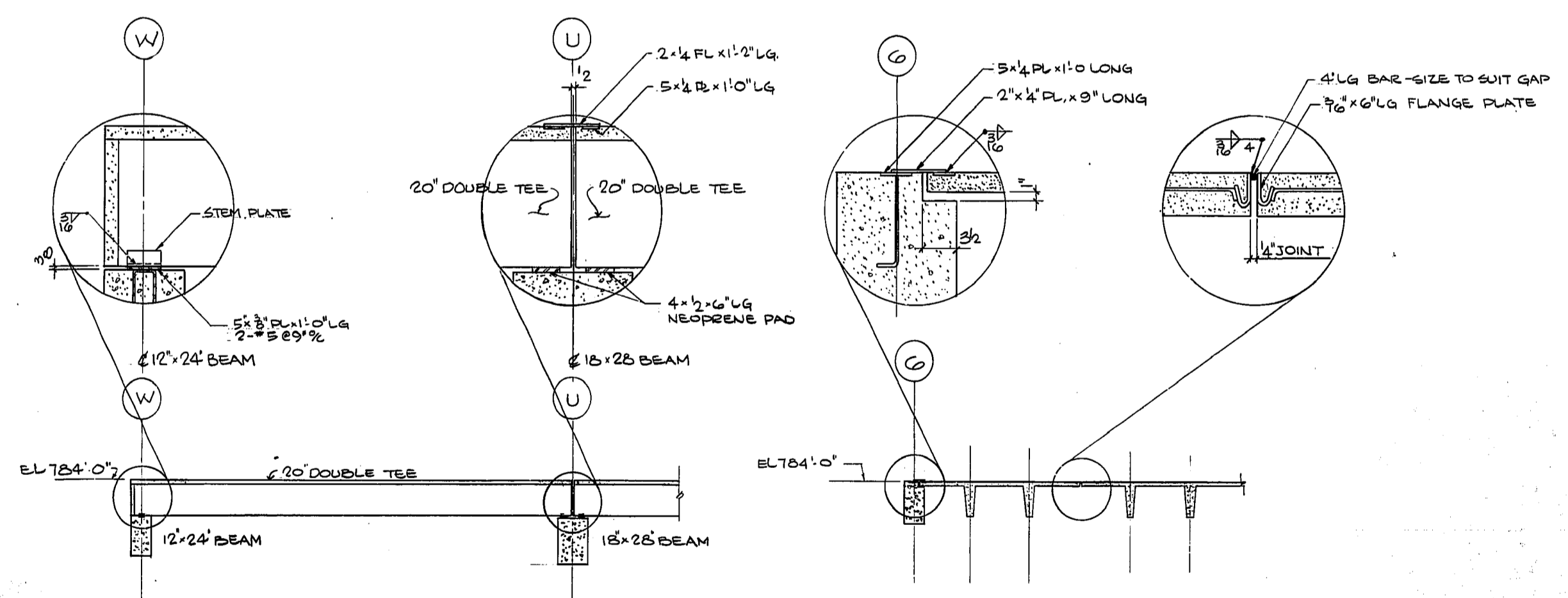
BEAM SCHEDULE			
MARK	B & D	REINFORCING	REMARKS
B301	12x24	2-#7 TOP 2-#7 BTM #3@12"	
B302	18x28	3-#9 TOP 3-#9 BTM #3@12"	



ROOF PLAN ELEV. 784'-0"
1"=1'-0"



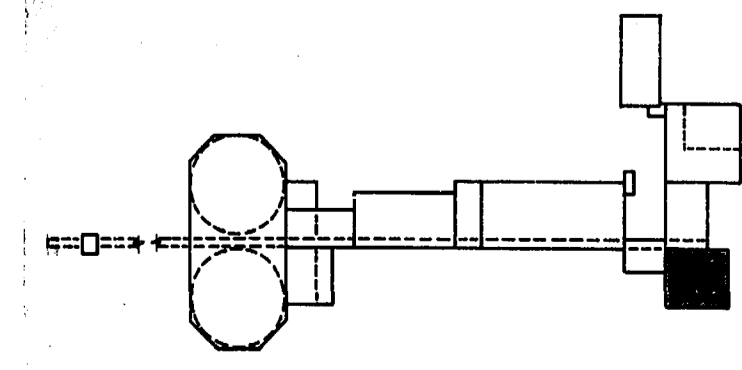
SECTION 1
4"=1'-0"



TYPICAL MULTIPLEX DOOR FRAME DETAIL
1"=1'-0"

SECTION 1
4"=1'-0"

SECTION 2
4"=1'-0"



KEY PLAN
1"=150'

AS - BUILT
DATE: FEB. NO. | PAGE
20-7-74

REVISIONS

No.	DATE	DESCRIPTION

THE METROPOLITAN CORPORATION OF GREATER WINNIPEG
WATERWORKS & WASTE DISPOSAL DIVISION
A. PENMAN - DIRECTOR

W. L. WARDROP & ASSOCIATES LTD.
ENGINEERING CONSULTANTS
WINNIPEG - THUNDER BAY - REGINA - TORONTO

SOUTH END WATER POLLUTION CONTROL CENTRE
SERVICE BLDG. STRUCTURAL
ROOF PLAN & SECTIONS

SCALE: AS SHOWN
DATE: OCTOBER 1971
APPROVED (W.L.W.)
W.L.W. FILE NO. 70012-01-S302

ENGINEER OF DESIGN
ENGINEER OF OPERATIONS
APPROVED (METRO)
DRAWING NO. S. E. P. - 47

PROVINCE OF MANITOBA
REGISTERED ENGINEER
B. RUZSICSKA