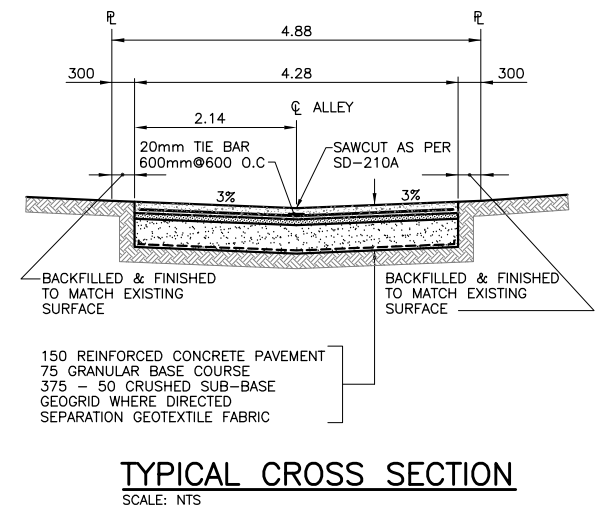
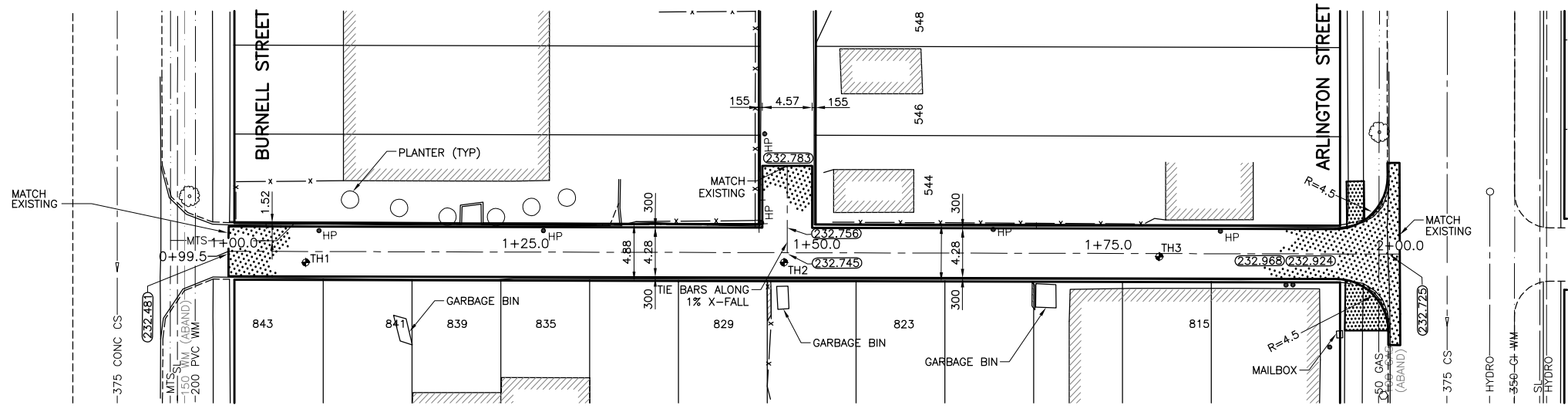


ALLEY PAVEMENT PROFILE
SCALE: 1:250 HOR
1:10 VER



TYPICAL CROSS SECTION
SCALE: NTS



ALLEY PAVEMENT PLAN
SCALE: 1:250 HOR

- NOTE:**
1. STATION CHAINAGE IS BASED ON CENTERLINE OF ALLEY RIGHT OF WAY.
 2. ADJUST MH AND CB RIMS TO NEW GRADES.
 3. PLUG SUBDRAINS AT TERMINAL ENDS.
 4. REGRADE EXISTING PRIVATE SIDEWALKS AS REQUIRED.
 5. INSTALLATION OF LIP CURBS AND THEIR EXTENTS TO BE DETERMINED BY THE CONTRACT ADMINISTRATOR.
 6. LIGHT STANDARDS, HYDRO POLES AND ANCHORS MAY REQUIRE TEMPORARY SUPPORT/REMOVAL OR REPLACEMENT AT THE CONTRACTOR'S EXPENSE.
 7. ISOLATE ALL POLES, BASES AND PILES WITHIN ALLEY RIGHT OF WAY (SD-228C)
 8. AVOID DAMAGE TO EXISTING TREES WITHIN THE LIMITS OF CONSTRUCTION.



PROPERTY LIMITS DELINEATION

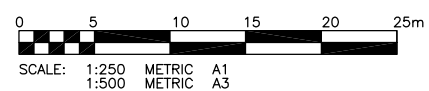
DELINEATION OF PROPERTY LIMITS AS SHOWN ON THIS DWG DOES NOT REPRESENT A "LEGAL SURVEY". KGS GROUP MAKES NO REPRESENTATION OR WARRANTY AS TO THE ACCURACY OF PROPERTY LIMITS DELINEATED ON THIS DWG, NOR ON THE DIMENSIONAL ACCURACY OF DWG FEATURES RELATIVE TO THOSE PROPERTY LIMITS.

WARNING

1. NOTIFY THE GAS COMPANY OF THE PROPOSED LOCATION OF EXCAVATION.
2. TAKE PRECAUTION TO AVOID DAMAGE TO GAS COMPANY INSTALLATIONS.
3. SEE PROVINCIAL REGULATION 210/72 FOR DETAILS.

METRIC

WHOLE NUMBERS INDICATE MILLIMETRES
DECIMALIZED NUMBERS INDICATE METRES



APCGM
Certificate of Authorization
KGS Group
No. 245 Date: _____

EXISTING	LEGEND-PLAN	PROPOSED	EXISTING	LEGEND-PLAN	PROPOSED
300 LBS	LAND DRAINAGE SEWER	300 LBS	+	TEST HOLE	
250 WWS	WASTE WATER SEWER	250 WWS	→	GUY WIRE	
---	GAS	---	—+—	LIGHT STANDARD	
---	HYDRO	---	—•—	BACK OF CURB	
---	M.T.S.	---	---	CONCRETE	
150 WM	WATERMAIN	150 WM	---	ASPHALT	
+	HYDRANT	+	---	SIDEWALK	
⊙	VALVE	⊙	---	PROPERTY LINE	
○	MANHOLE	○	---	SURVEY BAR	
□	CATCH BASIN	□	+	GEODETTIC BENCHMARK	
▽	CURB INLET	▽	⊙	ELEVATION	(32.231)
•	POLES	•	TTTT		
---	LEGEND-PLAN	---	---	EXISTING	LEGEND-PROFILE
---	LEGEND-PLAN	---	---	PROPOSED	PROPOSED

LOCATION APPROVED UNDERGROUND STRUCTURES

SUPV. U/G STRUCTURES COMMITTEE DATE _____

NOTE:
LOCATION OF UNDERGROUND STRUCTURES AS SHOWN ARE BASED ON THE BEST INFORMATION AVAILABLE BUT NO GUARANTEE IS GIVEN THAT ALL EXISTING UTILITIES ARE SHOWN OR THAT THE GIVEN LOCATIONS ARE EXACT. CONFIRMATION OF EXISTENCE AND EXACT LOCATION OF ALL SERVICES MUST BE OBTAINED FROM THE INDIVIDUAL UTILITIES BEFORE PROCEEDING WITH CONSTRUCTION.

NO.	REVISIONS	DATE	BY
0	ISSUED FOR CONSTRUCTION	14/07/08	CR

KGS GROUP CONSULTING ENGINEERS & PROJECT MANAGERS
WINNIPEG (204) 896-1209
THUNDER BAY (807) 345-2233

DESIGNED BY: CR
CHECKED BY: RJH
DRAWN BY: DW/CR
APPROVED BY: _____
HOR. SCALE: 1:250
VERTICAL: 1:50
RELEASED FOR CONSTRUCTION: _____
DATE: 12/05/08

ENGINEER'S SEAL
ORIGINAL SIGNED BY
M.C. ROWBOTHAM
14/07/08
CONSULTANT DRAWING NO.
07-0107-15

THE CITY OF WINNIPEG
PUBLIC WORKS DEPARTMENT
TRANSPORTATION ENGINEERING DIVISION

PROJECT TITLE
2008 ALLEY RENEWAL PROGRAM
NORTH AREA - CONTRACT 2
ELLICE AVE NORTH ALLEY
BURNELL ST TO ARLINGTON ST
STA. 0+99.5 TO STA. 1+99.0

SHEET OF
02 OF **09**
COMPUTER FILE NAME
ELLICE.DWG
CITY DRAWING NUMBER
0002

P:\PROJECTS\2007\07-0107-15\MUN\DWGS\SO\TH CONTRACT\ELLICE\DWG\ELLICE.DWG
PLOT 1:1 (A1)