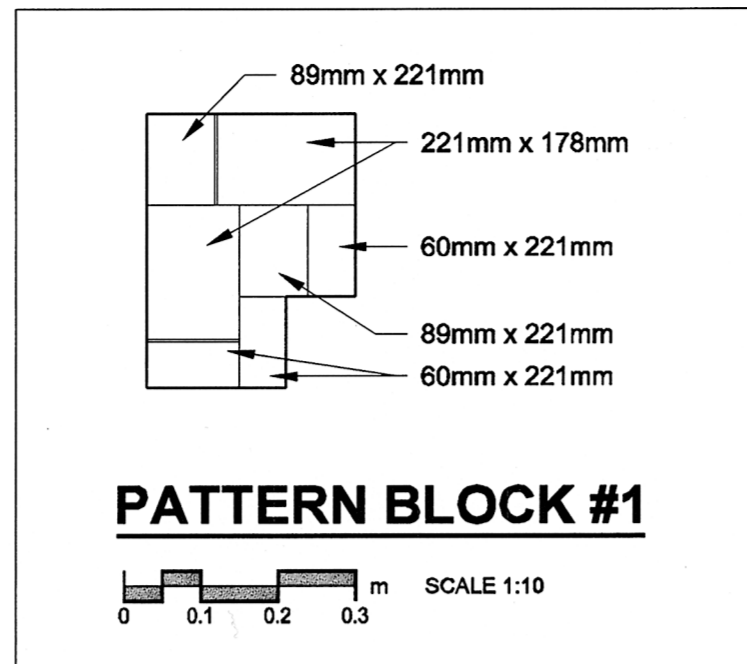
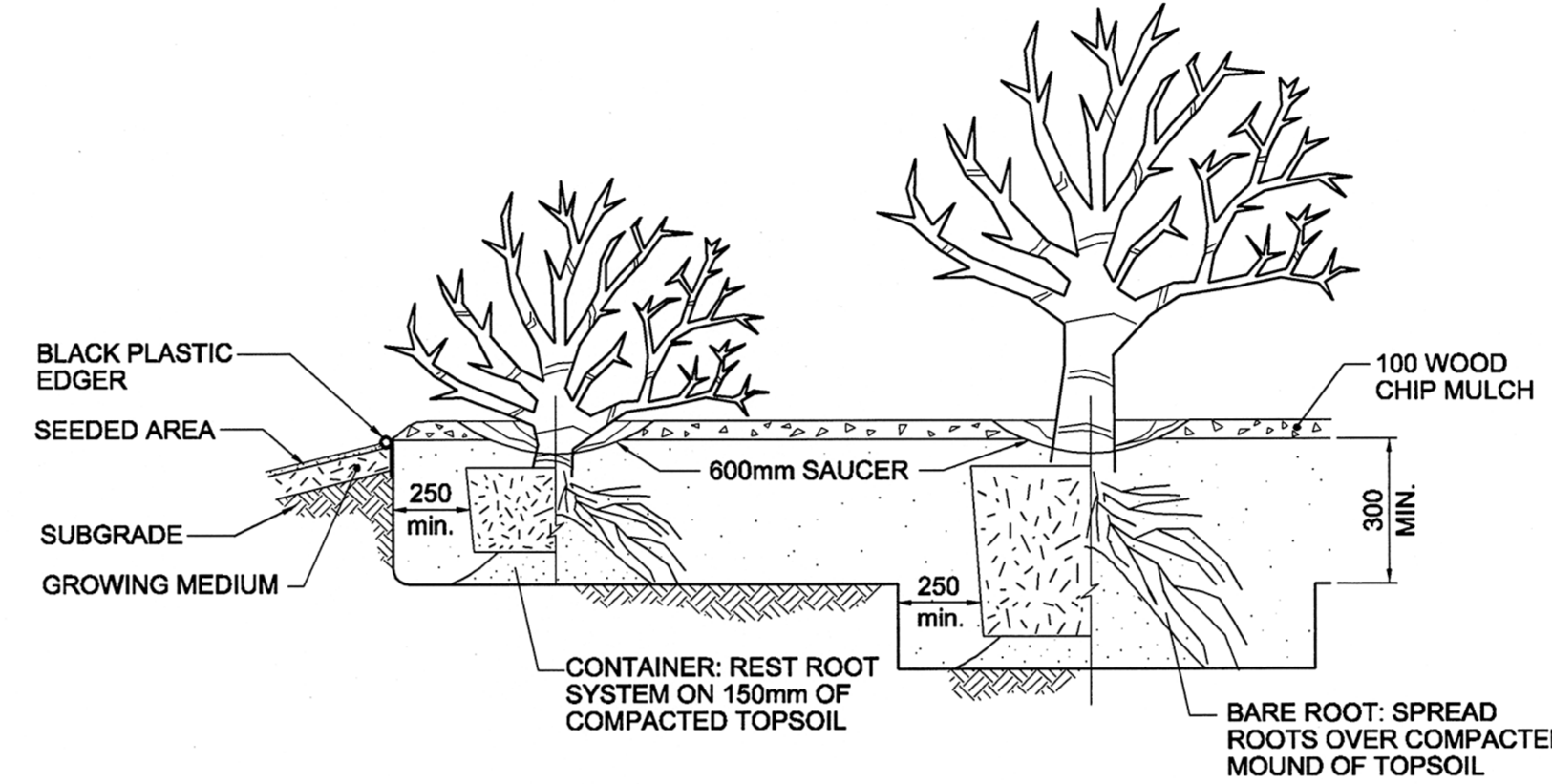


DETAIL 12
SCALE 1:30
PAVING PATTERN

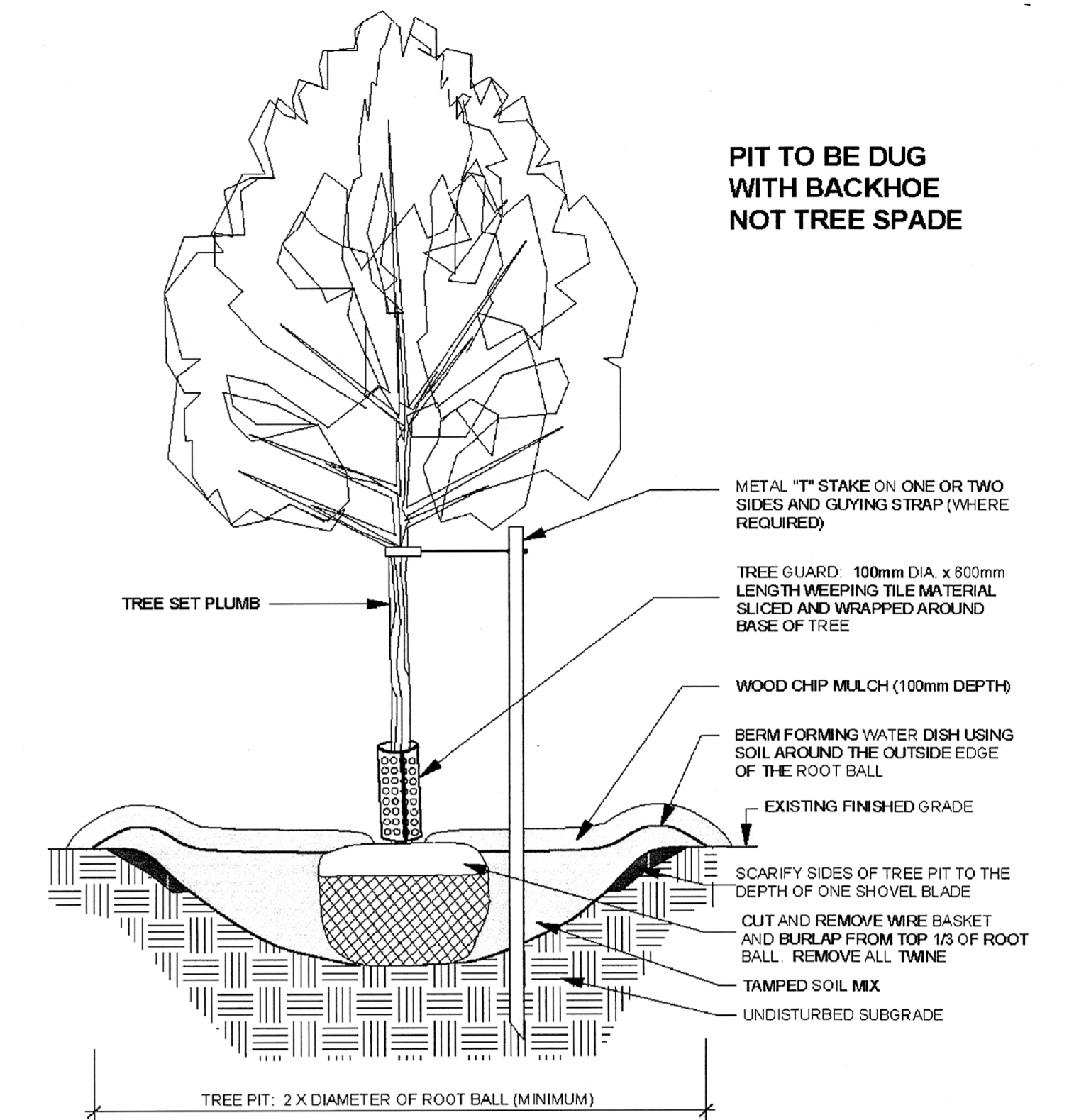


PATTERN BLOCK #1

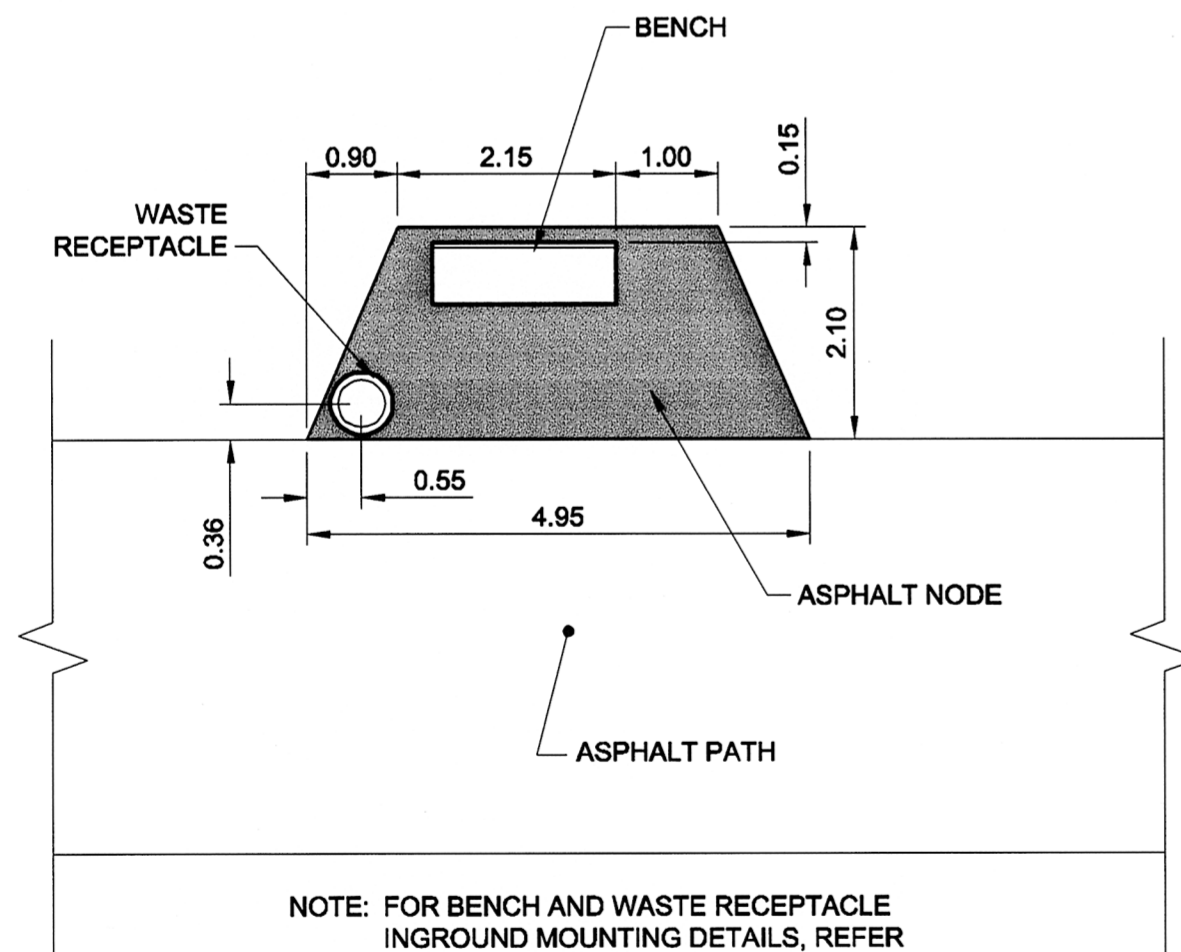
NOTE:
BARKMAN CONCRETE VICTORIAN PAVERS
PATTERN: SOLDIER COURSE
COLOUR: ANTIQUE BROWN



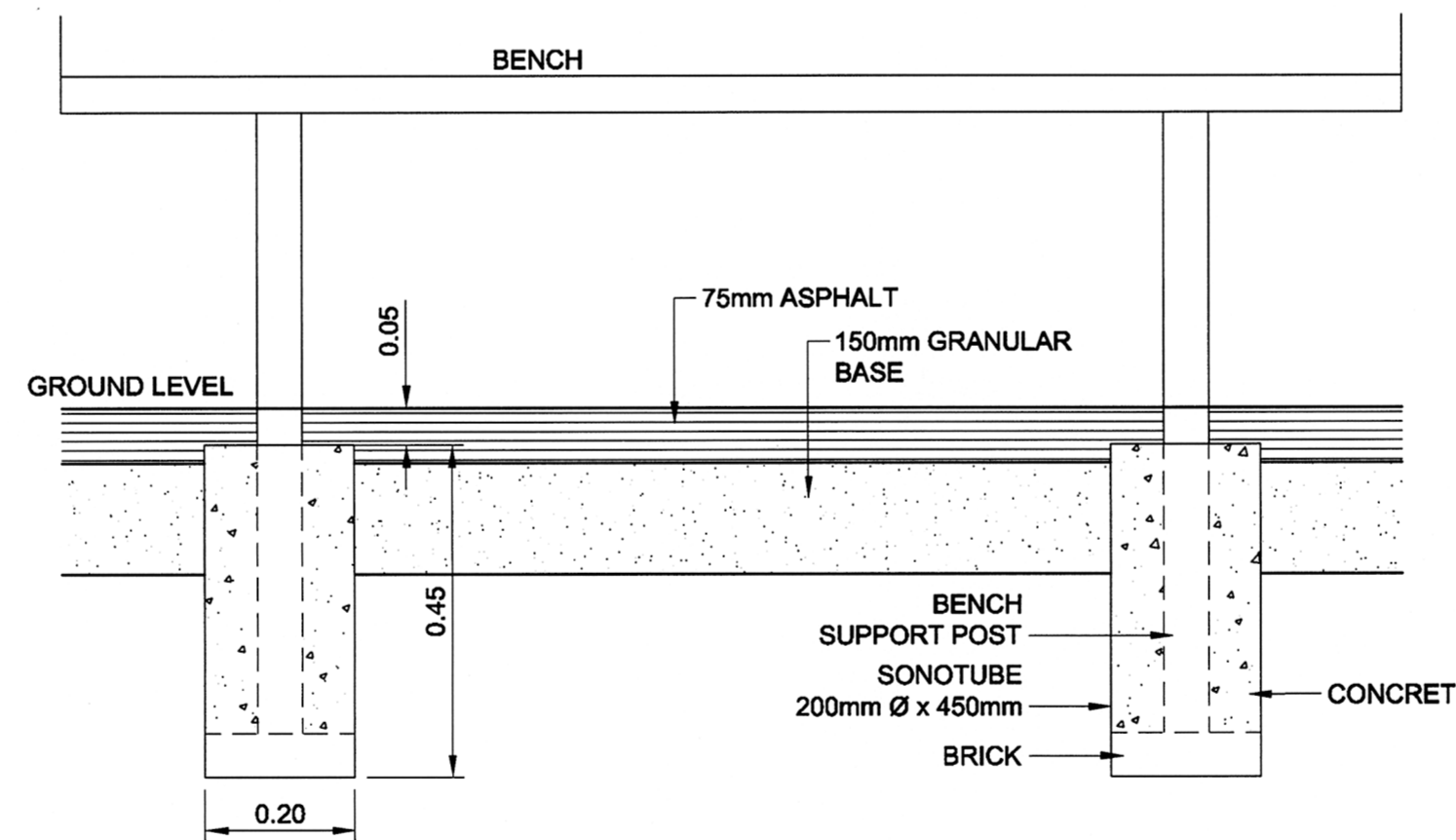
DETAIL 13
SCALE: NTS
TYPICAL SHRUB PLANTING



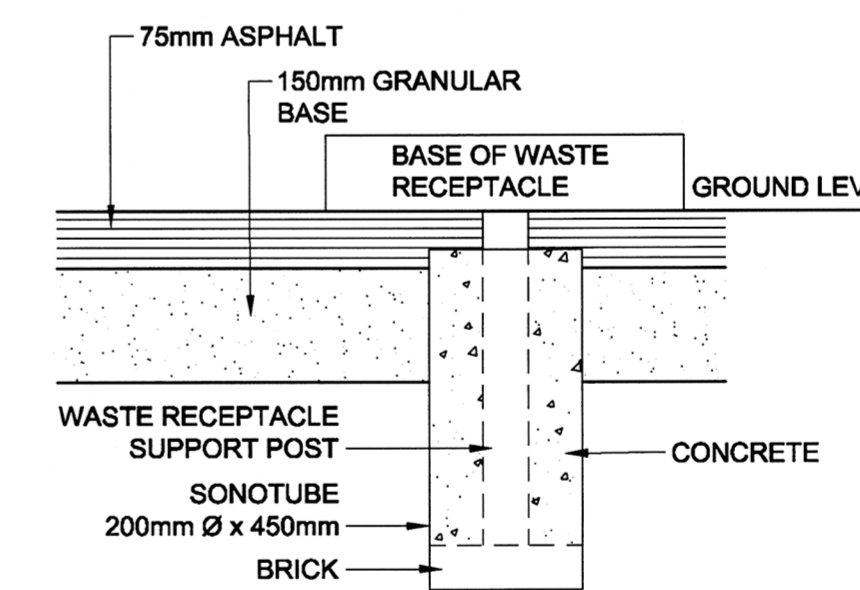
DETAIL 14
SCALE: NTS
DECIDUOUS TREE PLANTING
NOTE: DETAIL BASED ON (DRAFT) STANDARD CITY OF WINNIPEG GUIDELINES.



DETAIL 15
SCALE 1:75
ACCESSIBLE ASPHALT BENCH NODE



DETAIL 16
SCALE 1:10
BENCH INGROUND MOUNTING



DETAIL 17
SCALE 1:10
WASTE RECEPTACLE INGROUND MOUNTING

METRIC
WHOLE NUMBERS INDICATE MILLIMETRES
DECIMALIZED NUMBERS INDICATE METRES

—	GAS	○	MANHOLE	●	CONCRETE PAVEMENT	▨
—	MTS	□	CATCH BASIN / CATCH PIT	■	ASPHALT PAVEMENT	▩
—	HYDRO	△	CURB INLET WITH BOX	▲	CONC. SIDEWALK/MEDIAN	▧
—	CATV/FO	◇	TREE	■	PAVING STONE	▤
—	TRAFFIC SIGNALS/PIT	⊕	TEST HOLE	⊙	GRAVEL	▦
—	LAND DRAINAGE SEWER	—	PROPERTY LINE	—	RAMP CURB	▬
—	SANITARY/COMBINED SEWER	—	SURVEY BAR	—	PLANING/REMOVAL	▭
—	SSP/DCP	—	FENCE	—		
—	WATERMAIN	—	BOC/EOPAVT	—		
—	SUBDRAIN	—	ELEVATION	—		
—	DITCH	—	TRAFFIC SIGN	—		
—	EXISTING	—	LEGEND - PLAN	—	EXISTING	LEGEND - PLAN
—	NEW	—	LEGEND - PLAN	—	NEW	LEGEND - PLAN

LOCATION APPROVED UNDERGROUND STRUCTURES

SUPR. U/G STRUCTURES	DATE
COMMITTEE	

NOTE:
LOCATION OF UNDERGROUND STRUCTURES AS SHOWN ARE BASED ON THE BEST INFORMATION AVAILABLE BUT NO GUARANTEE IS GIVEN THAT ALL EXISTING UTILITIES ARE SHOWN OR THAT THE GIVEN LOCATIONS ARE EXACT. CONFIRMATION OF EXISTENCE AND EXACT LOCATION OF ALL SERVICES MUST BE OBTAINED FROM THE INDIVIDUAL UTILITIES BEFORE PROCEEDING WITH CONSTRUCTION.

BM 00-000	ELEV 200.000m
NO.	REVISIONS
0	ISSUED FOR CONSTRUCTION 08/08/27 LJV
	YY/MM/DD BY

DESIGNED BY	LJV	CHECKED BY	DKH
DRAWN BY	LJV	APPROVED BY	ALL
HOR. SCALE	AS NOTED	RELEASED FOR CONSTRUCTION	
VERT. SCALE	NA	DATE	08-07-03

PROFESSIONAL'S SEAL
 the Manitoba Association of Landscape Architects
 member no. 32
 DONALD K. HESTER
 CONSULTANT DRAWING NO. 0265-406-00_001-4044_RX.dwg

THE CITY OF WINNIPEG
 PUBLIC WORKS DEPARTMENT
 TRANSPORTATION ENGINEERING DIVISION

McGILLIVRAY BOULEVARD
120m WEST OF KENASTON BOULEVARD
TO WAVERLEY STREET
WIDENING AND REHABILITATION
 LANDSCAPE DETAILS

CITY DRAWING NUMBER P-3294-44
 SHEET 44 OF 44
 DRAWING No. 44
 REV 0

BID OPPORTUNITY NO. 466-2008

APECM
 Certificate of Authorization
 UMA Engineering Ltd. (MB)
 No. 256 Date: July 2008