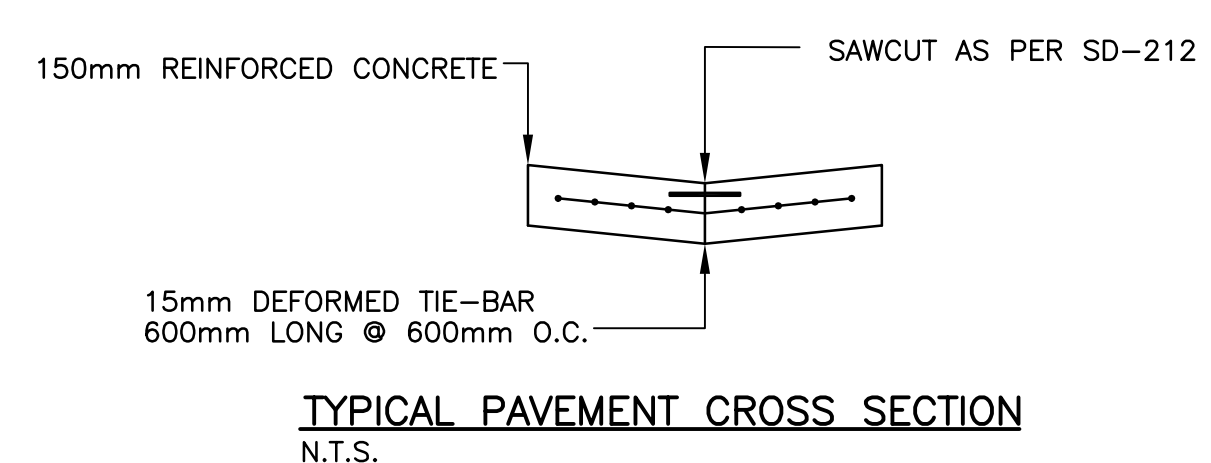
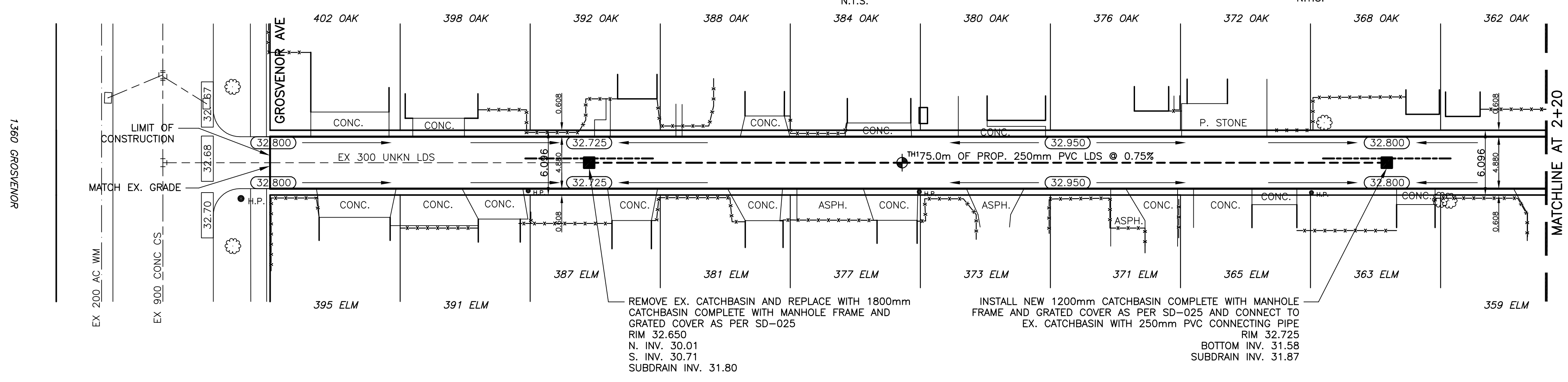
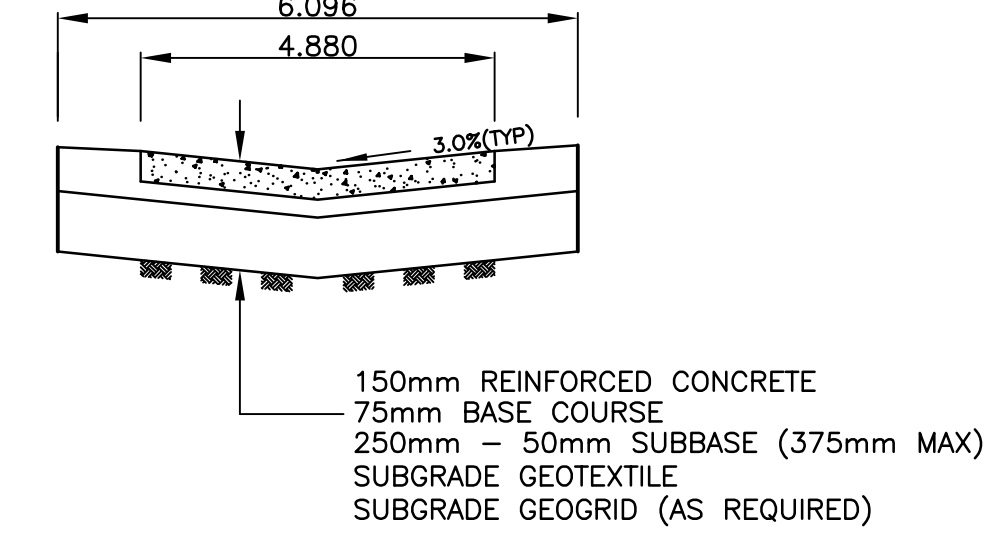
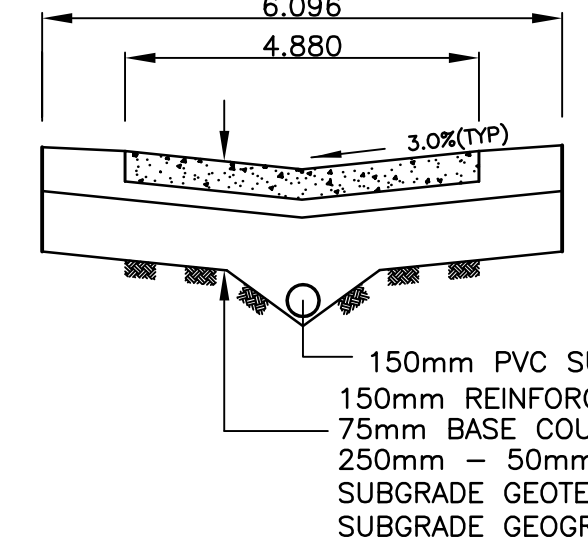


- NOTES:**
1. ISOLATE EXISTING HYDRO POLES AS DIRECTED BY CONTRACT ADMINISTRATOR
 2. RENEW EXISTING APPROACHES AS DIRECTED BY CONTRACT ADMINISTRATOR
 3. EXTEND SUBDRAINS AS DIRECTED BY CONTRACT ADMINISTRATOR
 4. ADDITIONAL EXCAVATION AND INSTALLATION OF SUBGRADE GEOGRID TO BE DETERMINED BY CONTRACT ADMINISTRATOR



CHAINAGE ALONG CENTER OF ROW



BENCHMARK:
S.E. COR. OF GROSVENOR AVE. & LANE E. OF ASH ST.
119mm DIA. x 6.1m I.B. IN VALVE BOX, 2.0m E. OF E.L. OF LANE & 1.0m S. OF S.L. OF GROSVENOR AVE.

METRIC
WHOLE NUMBERS INDICATE MILLIMETRES
DECIMALIZED NUMBERS INDICATE METRES

INSTALL PVC SUBDRAINS BETWEEN
STA. 1+24 AND 1+36 AND
STA. 1+99 AND 2+13

| | | | | | | | |
|-----|---------------------|-----|---------------|-----|---------------------|-----|------------------------------------------|
| --- | WATERMAIN | --- | HYDRO | --- | CENTER LINE | --- | LOCATION APPROVED |
| + | HYDRANT | + | M.T.S. | --- | NORTH GUTTER LINE | --- | SUPV. U/G STRUCTURES |
| + | VALVE | + | CONCRETE | --- | SOUTH GUTTER LINE | --- | DATE |
| --- | LAND DRAINAGE SEWER | --- | ASPHALT | --- | WATERMAIN | --- | NOTE: |
| --- | WASTE WATER SEWER | --- | PROPERTY LINE | --- | VALVE | --- | LOCATION OF UNDERGROUND STRUCTURES AS |
| ○ | MANHOLE | ○ | SURVEY BAR | --- | LAND DRAINAGE SEWER | --- | SHOWN ARE BASED ON THE BEST INFORMATION |
| □ | CATCH BASIN | □ | CURB STOP | --- | WASTE WATER SEWER | --- | AVAILABLE BUT NO GUARANTEE IS GIVEN |
| △ | CURB INLET | △ | C.B. LEAD | --- | JUNCTIONS | --- | THAT ALL EXISTING UTILITIES ARE SHOWN OR |
| --- | TRAFFIC SIGNAL | --- | SIDEWALK | --- | TESTHOLE | --- | THAT THE GIVEN LOCATIONS ARE EXACT |
| --- | STEAM HT. | --- | SIDEWALK RAMP | --- | ASPH./CONC. PAD | --- | CONFIRMATION OF EXISTENCE AND EXACT |
| --- | GAS | --- | ELEVATIONS | --- | GARAGE PAD | --- | LOCATION OF ALL SERVICES MUST BE |
| --- | EXISTING | --- | LEGEND - PLAN | --- | PROPOSED | --- | OBTAINED FROM THE INDIVIDUAL UTILITIES |
| --- | LEGEND - PLAN | --- | PROPOSED | --- | EXISTING | --- | BEFORE PROCEEDING WITH CONSTRUCTION. |

| | | | |
|-----|-----------|------|----|
| NO. | REVISIONS | DATE | BY |
| | | | |

GENIVAR
200 TACHE AVENUE WINNIPEG, MANITOBA R2H 1A7
PH: (204)-233-2113 FAX: (204)-233-2080

DESIGNED BY: R.H. CHECKED BY: S.M.
DRAWN BY: R.H. APPROVED BY: I.McK.
HOR. SCALE: 1:250
VERT. SCALE: 1:10
DATE: JUNE 2008

ENGINEERS SEAL
PROVINCE OF MANITOBA
REGISTERED PROFESSIONAL ENGINEER
I. G. MCKINNON
CONSULTANT DRAWING NO. 063-052-02

THE CITY OF WINNIPEG
PUBLIC WORKS DEPARTMENT

2008 RECONSTRUCTION AND ALLEY RENEWAL
OAK / ELM LANE
LANE PAVEMENT
FROM GROSVENOR AVENUE
TO MATCHLINE AT 2+20.00

CITY DRAWING NO. SHEET 1 OF 3
470-2008

