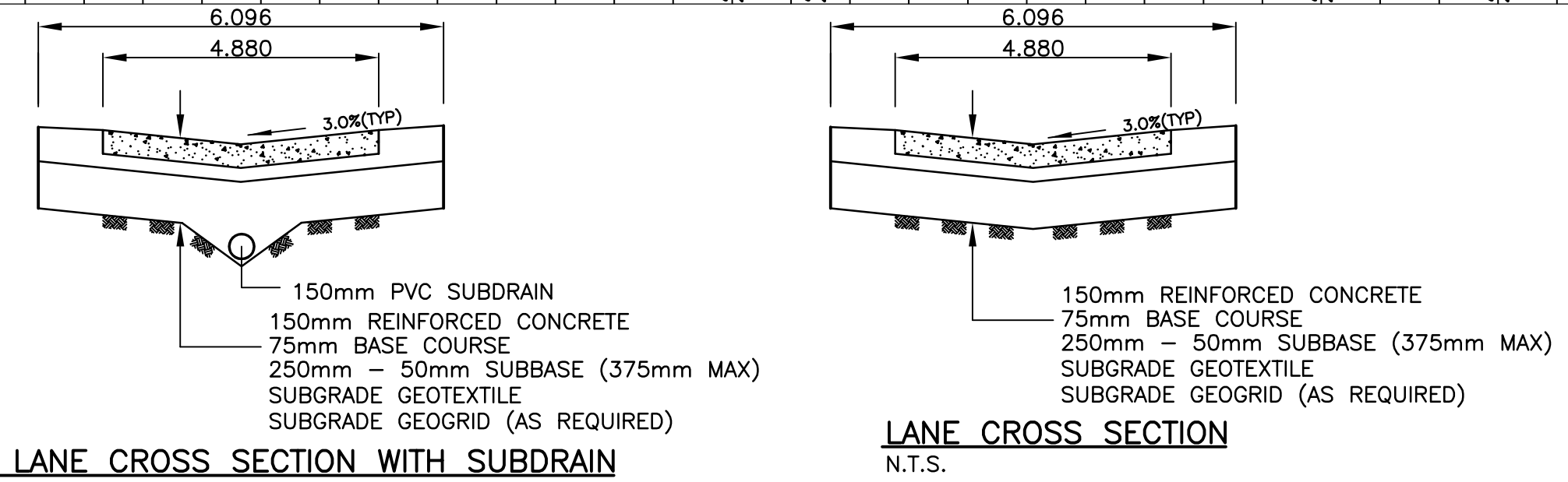
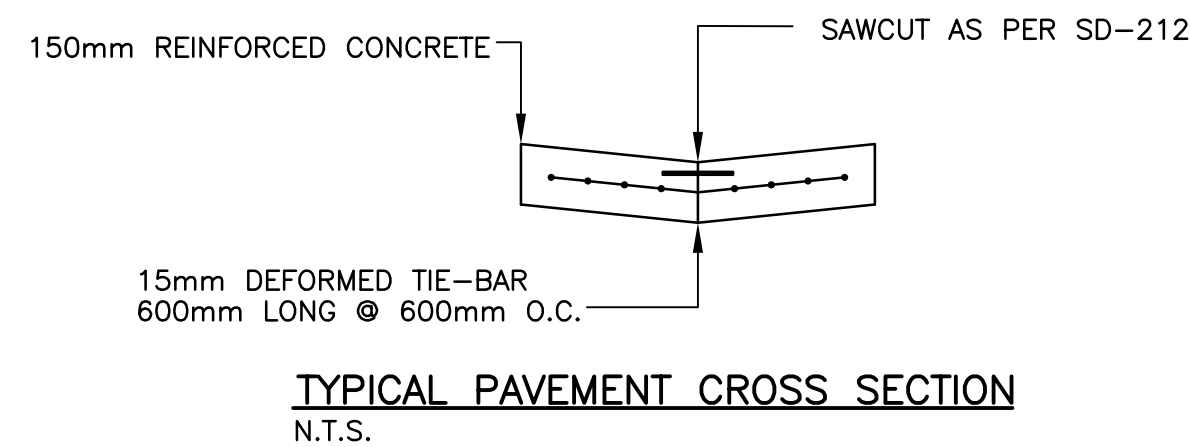
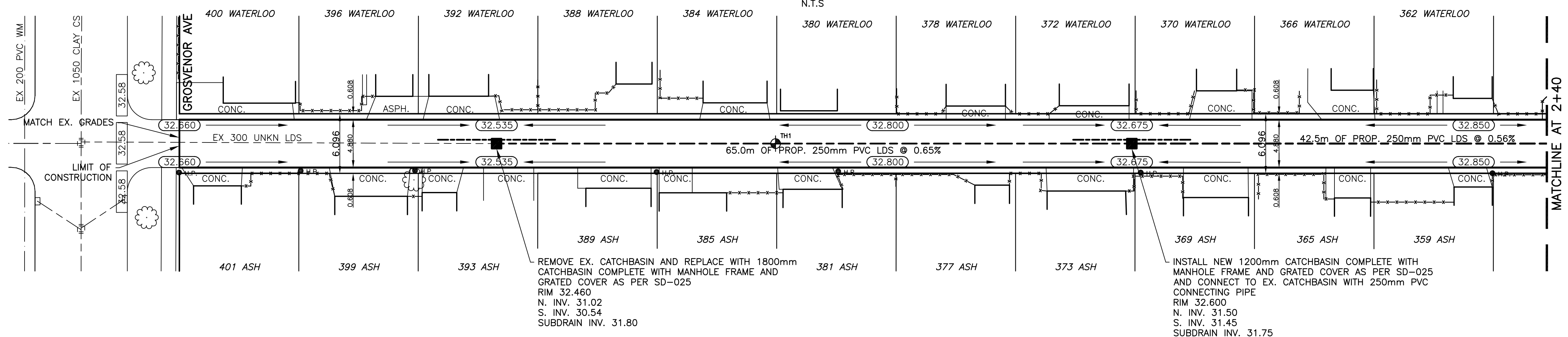


NOTES:

1. ISOLATE EXISTING HYDRO POLES AS DIRECTED BY CONTRACT ADMINISTRATOR
2. RENEW EXISTING APPROACHES AS DIRECTED BY CONTRACT ADMINISTRATOR
3. EXTEND SUBDRAINS AS DIRECTED BY CONTRACT ADMINISTRATOR
4. ADDITIONAL EXCAVATION AND INSTALLATION OF SUBGRADE GEOTEXTILE TO BE DETERMINED BY CONTRACT ADMINISTRATOR



CHAINAGE ALONG CENTER OF ROW



REMOVE EX. CATCHBASIN AND REPLACE WITH 1800mm CATCHBASIN COMPLETE WITH MANHOLE FRAME AND GRATED COVER AS PER SD-025
RIM 32.460
N. INV. 31.02
S. INV. 30.54
SUBDRAIN INV. 31.80

INSTALL NEW 1200mm CATCHBASIN COMPLETE WITH MANHOLE FRAME AND GRATED COVER AS PER SD-025 AND CONNECT TO EX. CATCHBASIN WITH 250mm PVC CONNECTING PIPE
RIM 32.600
N. INV. 31.50
S. INV. 31.45
SUBDRAIN INV. 31.75

BENCHMARK:
S.E. COR. OF GROSVENOR AVE. & LANE E. OF ASH ST.
119mm DIA. x 6.1m I.B. IN VALVE BOX, 2.0m E. OF E.L. OF LANE & 1.0m S. OF S.L. OF GROSVENOR AVE.

INSTALL PVC SUBDRAIN BETWEEN STA. 1+26.50 AND 1+38.50 AND STA. 1+91.50 AND 2+03.50

METRIC
WHOLE NUMBERS INDICATE MILLIMETRES
DECIMALIZED NUMBERS INDICATE METRES

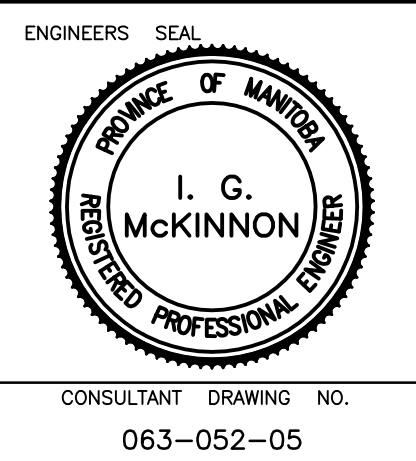


	WATERMAIN			HYDRO			CENTER LINE
	HYDRANT			M.T.S.			NORTH GUTTER LINE
	VALVE			CONCRETE			SOUTH GUTTER LINE
	LAND DRAINAGE SEWER			ASPHALT			WATERMAIN
	WASTE WATER SEWER			PROPERTY LINE			VALVE
	MANHOLE			SURVEY BAR			LAND DRAINAGE SEWER
	CATCH BASIN			CURB STOP			WASTE WATER SEWER
	CURB INLET			C.B. LEAD			JUNCTIONS
	TRAFFIC SIGNAL			SIDEWALK			TESTHOLE
	STEAM HT.			SIDEWALK RAMP			ASPH./CONCR. PAD
	GAS			ELEVATIONS			GARAGE PAD
	EXISTING			LEGEND - PLAN			EXISTING
	LEGEND - PLAN			LEGEND - PLAN			LEGEND - PROFILE
	PROPOSED			LEGEND - PLAN			LEGEND - PROFILE

LOCATION APPROVED	
SUPV. U/G STRUCTURES	DATE
COMMITTEE	
NOTE:	
LOCATION OF UNDERGROUND STRUCTURES AS SHOWN ARE BASED ON THE BEST INFORMATION AVAILABLE BUT NO GUARANTEE IS GIVEN THAT ALL EXISTING UTILITIES ARE SHOWN OR THAT THE GIVEN LOCATIONS ARE EXACT. CONFIRMATION OF EXISTENCE AND EXACT LOCATION OF ALL SERVICES MUST BE OBTAINED FROM THE INDIVIDUAL UTILITIES BEFORE PROCEEDING WITH CONSTRUCTION.	
NO.	REVISIONS
	DATE BY

GENIVAR
200 TACHE AVENUE WINNIPEG, MANITOBA R2H 1A7
PH: (204)-233-2113 FAX: (204)-233-2080

DESIGNED BY: R.H. CHECKED BY: S.M.
DRAWN BY: R.H. APPROVED BY: I.McK
HOR. SCALE: 1:250
VERT. SCALE: 1:10
DATE: JUNE 2008



THE CITY OF WINNIPEG
PUBLIC WORKS DEPARTMENT

2008 RECONSTRUCTION AND ALLEY RENEWAL
WATERLOO / ASH LANE
LANE PAVEMENT
FROM GROSVENOR AVENUE
TO MATCHLINE AT 2+40

CITY DRAWING NO. SHEET 1 OF 3
470-2008