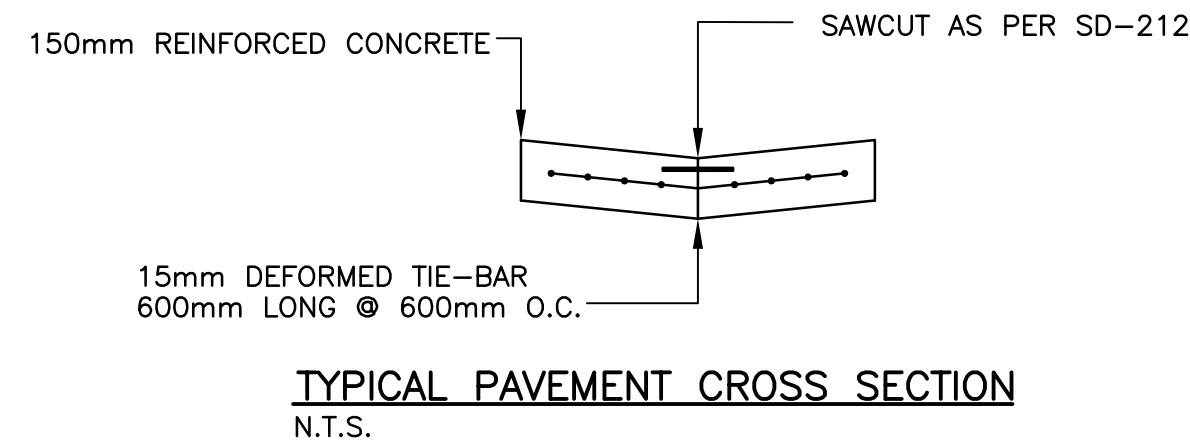
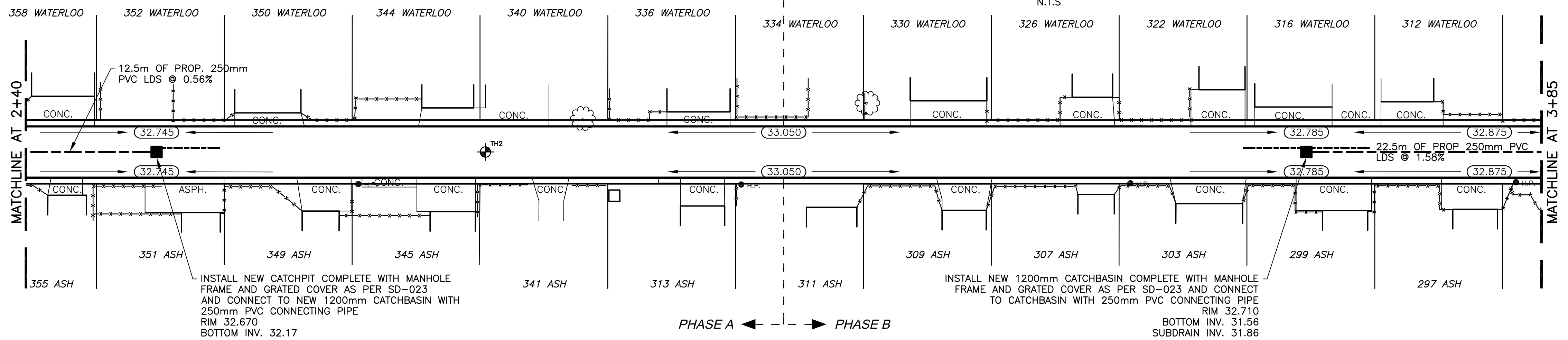
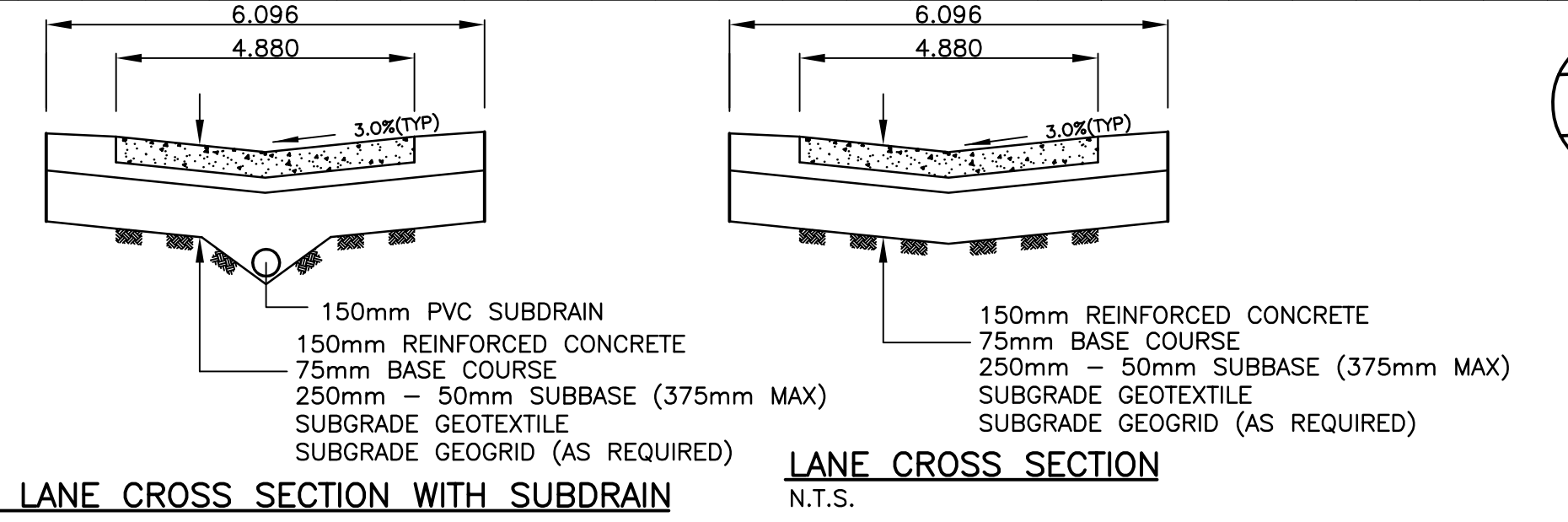


**NOTES:**

1. ISOLATE EXISTING HYDRO POLES AS DIRECTED BY CONTRACT ADMINISTRATOR
2. RENEW EXISTING APPROACHES AS DIRECTED BY CONTRACT ADMINISTRATOR
3. EXTEND SUBDRAINS AS DIRECTED BY CONTRACT ADMINISTRATOR
4. ADDITIONAL EXCAVATION AND INSTALLATION OF SUBGRADE GEOTRID TO BE DETERMINED BY CONTRACT ADMINISTRATOR



**CHAINAGE ALONG CENTER OF ROW**



BENCHMARK:  
S.E. COR. OF GROSVENOR AVE. & LANE E. OF ASH ST.  
119mm DIA. x 6.1m I.B. IN VALVE BOX, 2.0m E. OF E.L. OF LANE & 1.0m S. OF S.L. OF GROSVENOR AVE.

INSTALL PVC SUBDRAIN BETWEEN STA. 2+52.50 AND 2+58.50 STA. 3+56.50 AND 3+68.50

METRIC  
WHOLE NUMBERS INDICATE MILLIMETRES  
DECIMALIZED NUMBERS INDICATE METRES



EXISTING	LEGEND - PLAN	PROPOSED	EXISTING	LEGEND - PLAN	PROPOSED	EXISTING	LEGEND - PROFILE	PROPOSED
	WATERMAIN			HYDRO			CENTER LINE	
	HYDRANT			M.T.S.			NORTH GUTTER LINE	
	VALVE			CONCRETE			SOUTH GUTTER LINE	
	LAND DRAINAGE SEWER			ASPHALT			WATERMAIN	
	WASTE WATER SEWER			PROPERTY LINE			VALVE	
	MANHOLE			SURVEY BAR			LAND DRAINAGE SEWER	
	CATCH BASIN			CURB STOP			WASTE WATER SEWER	
	CURB INLET			C.B. LEAD			JUNCTIONS	
	TRAFFIC SIGNAL			SIDEWALK			TESTHOLE	
	STEAM HT.			SIDEWALK RAMP			ASPH./CONC. PAD	
	GAS			ELEVATIONS			GARAGE PAD	
	EXISTING			PROPOSED			EXISTING	

**LOCATION APPROVED**

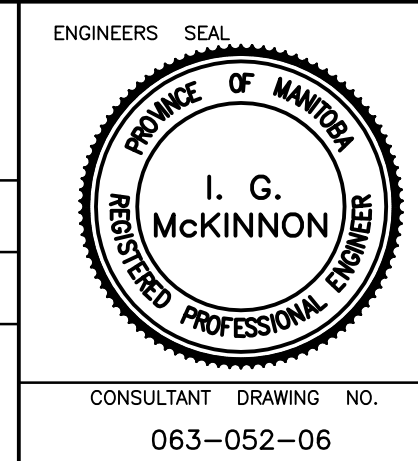
SUPV. U/G STRUCTURES DATE  
COMMITTEE  
NOTE:  
LOCATION OF UNDERGROUND STRUCTURES AS SHOWN ARE BASED ON THE BEST INFORMATION AVAILABLE BUT NO GUARANTEE IS GIVEN THAT ALL EXISTING UTILITIES ARE SHOWN OR THAT THE GIVEN LOCATIONS ARE EXACT. CONFIRMATION OF EXISTENCE AND EXACT LOCATION OF ALL SERVICES MUST BE OBTAINED FROM THE INDIVIDUAL UTILITIES BEFORE PROCEEDING WITH CONSTRUCTION.

B.M. ELEV.	CWB: 51-030	DATE	BY
	232.751		
NO.	REVISIONS	DATE	BY

**GENIVAR**  
200 TACHE AVENUE WINNIPEG, MANITOBA R2H 1A7  
PH: (204)-233-2113 FAX: (204)-233-2080

DESIGNED BY: R.H. CHECKED BY: S.M.  
DRAWN BY: R.H. APPROVED BY: I.McK  
HOR. SCALE: 1:250 RELEASSED FOR CONSTRUCTION: DATE  
VERT. SCALE: 1:10 ORIGINALY SIGNED BY: DATE

DATE: JUNE 2008



THE CITY OF WINNIPEG  
PUBLIC WORKS DEPARTMENT

2008 RECONSTRUCTION AND ALLEY RENEWAL  
WATERLOO / ASH LANE  
LANE PAVEMENT  
FROM MATCHLINE AT 2+40  
TO MATCHLINE AT 3+85

CITY DRAWING NO.  
SHEET 2 OF 3  
470-2008