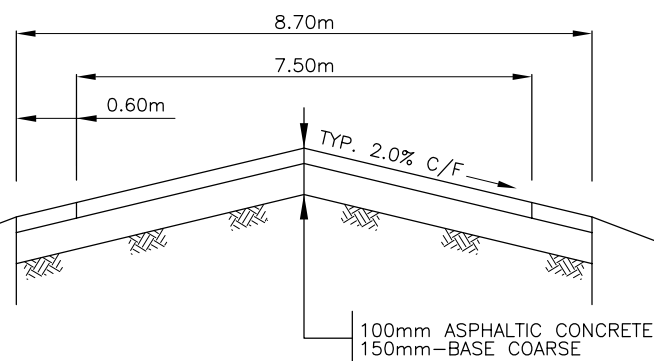
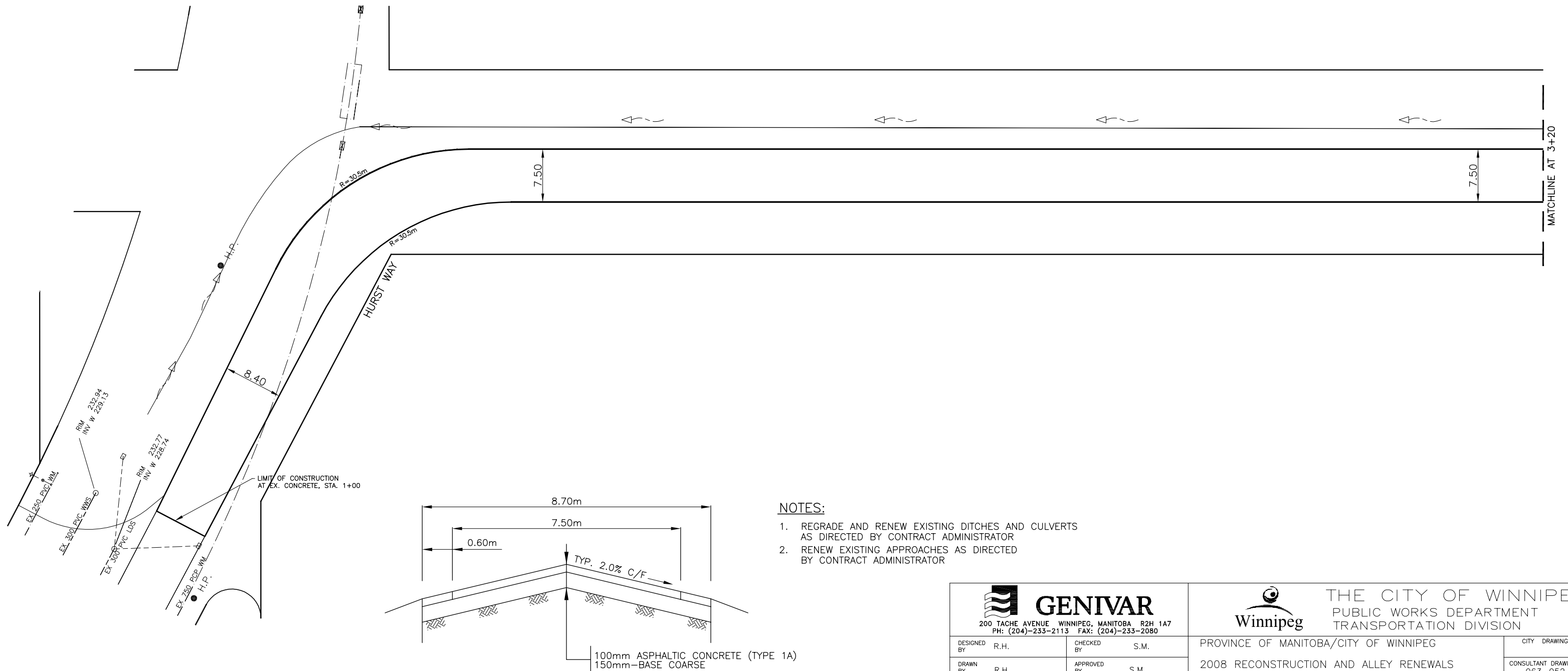


HURST WAY



TYPICAL 7.50m PAVEMENT CROSS SECTION
N.T.S.

NOTES:

1. REGRADE AND RENEW EXISTING DITCHES AND CULVERTS AS DIRECTED BY CONTRACT ADMINISTRATOR
2. RENEW EXISTING APPROACHES AS DIRECTED BY CONTRACT ADMINISTRATOR

 200 TACHE AVENUE WINNIPEG, MANITOBA R2H 1A7 PH: (204)-233-2113 FAX: (204)-233-2080		 THE CITY OF WINNIPEG PUBLIC WORKS DEPARTMENT TRANSPORTATION DIVISION	
DESIGNED BY: R.H.	CHECKED BY: S.M.	PROVINCE OF MANITOBA/CITY OF WINNIPEG	CITY DRAWING NO.
DRAWN BY: R.H.	APPROVED BY: S.M.	2008 RECONSTRUCTION AND ALLEY RENEWALS	CONSULTANT DRAWING NO. 063-052-08
HOR. SCALE: N.T.S.	RELEASED FOR CONSTRUCTION	HURST WAY/PARKER AVENUE	470-2008
VERT. SCALE: N.T.S.	DATE	FROM NEW CONCRETE AT STA. 1+00 TO STA. 3+20 ASPHALT RECONSTRUCTION	
DATE: JUNE 2008	DATE		