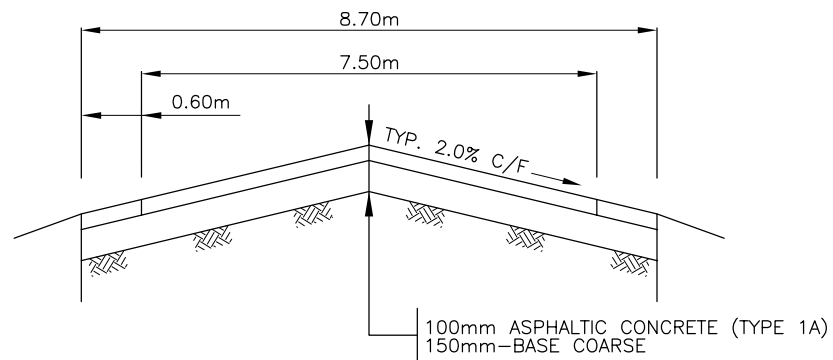
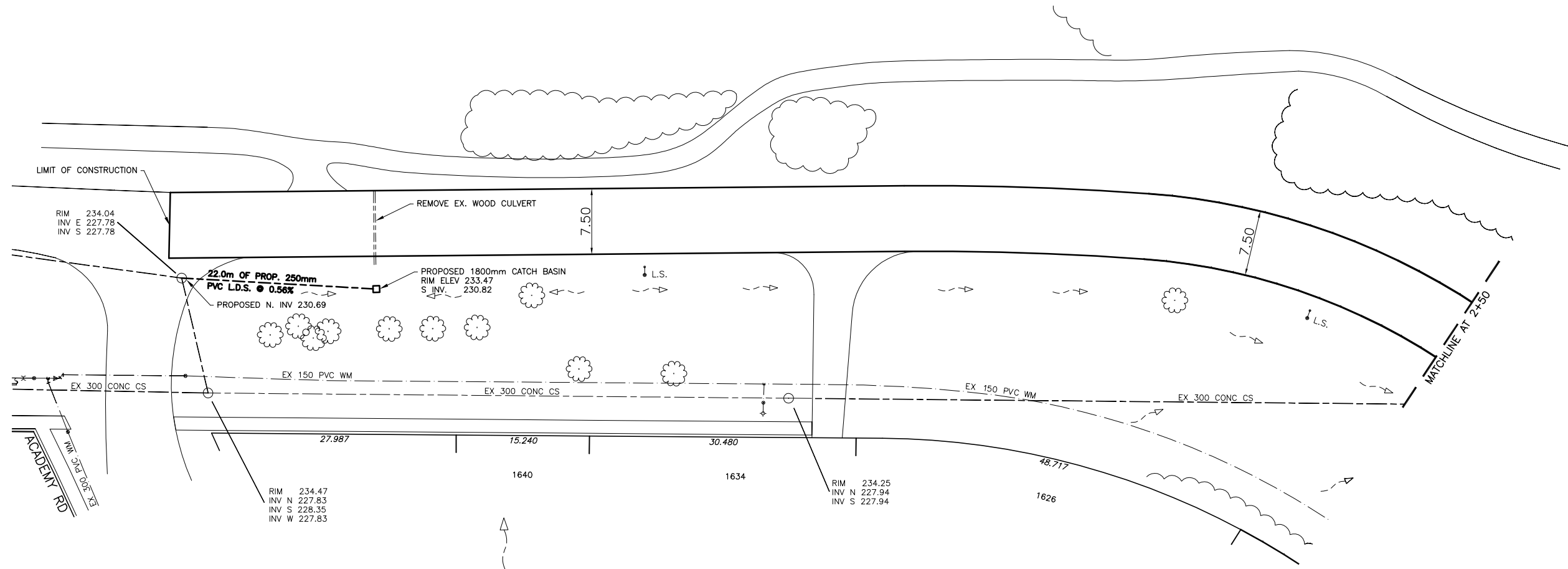


WELLINGTON CRESCENT



TYPICAL PAVEMENT CROSS SECTION

NOTES:

1. REGRADE AND RENEW EXISTING DITCHES AND CULVERTS AS DIRECTED BY CONTRACT ADMINISTRATOR
2. RENEW EXISTING APPROACHES AS DIRECTED BY CONTRACT ADMINISTRATOR

GENIVAR
 200 TACHE AVENUE WINNIPEG, MANITOBA R2H 1A7
 PH: (204)-233-2113 FAX: (204)-233-2080

DESIGNED BY: R.H.	CHECKED BY: S.M.
DRAWN BY: R.H.	APPROVED BY: S.M.
HOR. SCALE: N.T.S.	RELEASED FOR CONSTRUCTION
VERT. SCALE: N.T.S.	DATE
DATE: JUNE 2008	DATE



THE CITY OF WINNIPEG
 PUBLIC WORKS DEPARTMENT
 TRANSPORTATION DIVISION

PROVINCE OF MANITOBA/CITY OF WINNIPEG	CITY DRAWING NO.
2008 RECONSTRUCTION AND ALLEY RENEWALS	CONSULTANT DRAWING NO. 063-052-11
WELLINGTON CRESCENT FROM ACADEMY ROAD TO STA. 2+50 ASPHALT RECONSTRUCTION	470-2008