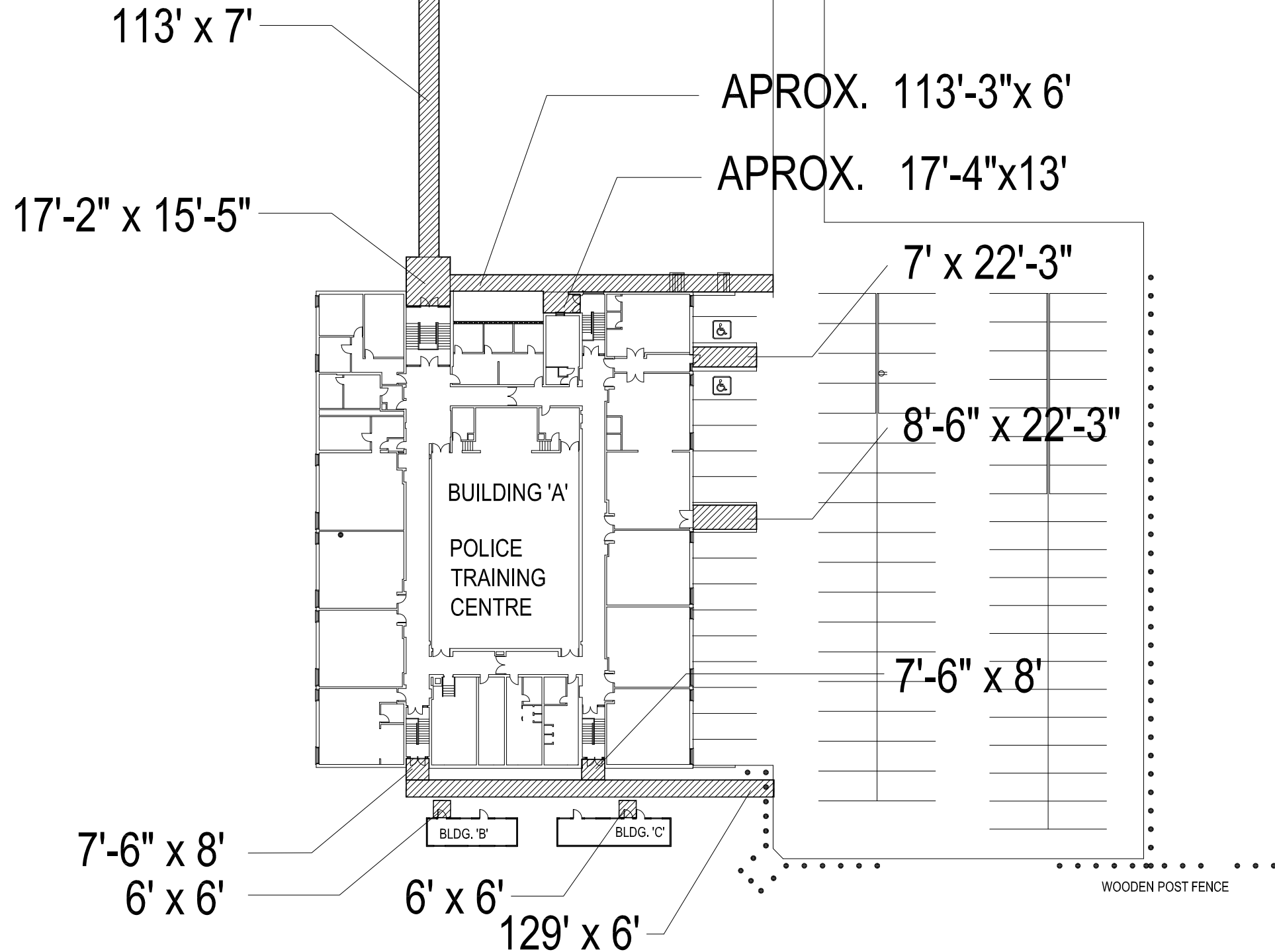


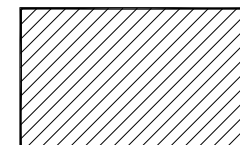
ADDRESS: 130 ALLARD PROJECT No: XXX-XXX-X DESCRIPTION: SITE PLAN DATE: YEAR/M/DO FILE NAME: XXXXXX-XXX.dwg



ALLARD STREET



AREA OF SNOW REMOVAL = 3,129 SQ. FT.



NOTES :

NO.	REVISION/DESCRIPTION	BY	DATE
SEALS			

DRAWN BY	CAD	CHECKED BY	APPROVED
		USER APPROVAL	

CITY OF WINNIPEG
 PLANNING, PROPERTY AND
 DEVELOPMENT DEPARTMENT
 CIVIC ACCOMMODATIONS DIVISION
 300 - 65 GARRY ST. R3C 4K4

PROJECT
 POLICE TRAINING CENTRE

130 ALLARD

SHEET TITLE
 SITE PLAN
 SNOW REMOVAL
 0130ALSP

SCALE	PROJECT NO.	SHEET NO.
AS SHOWN		A1