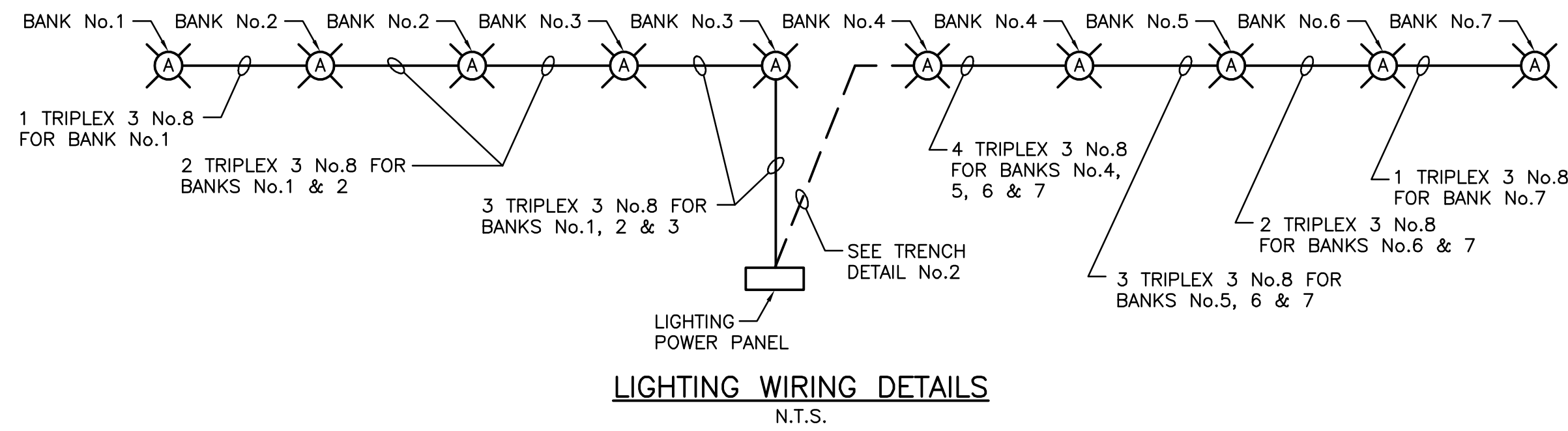
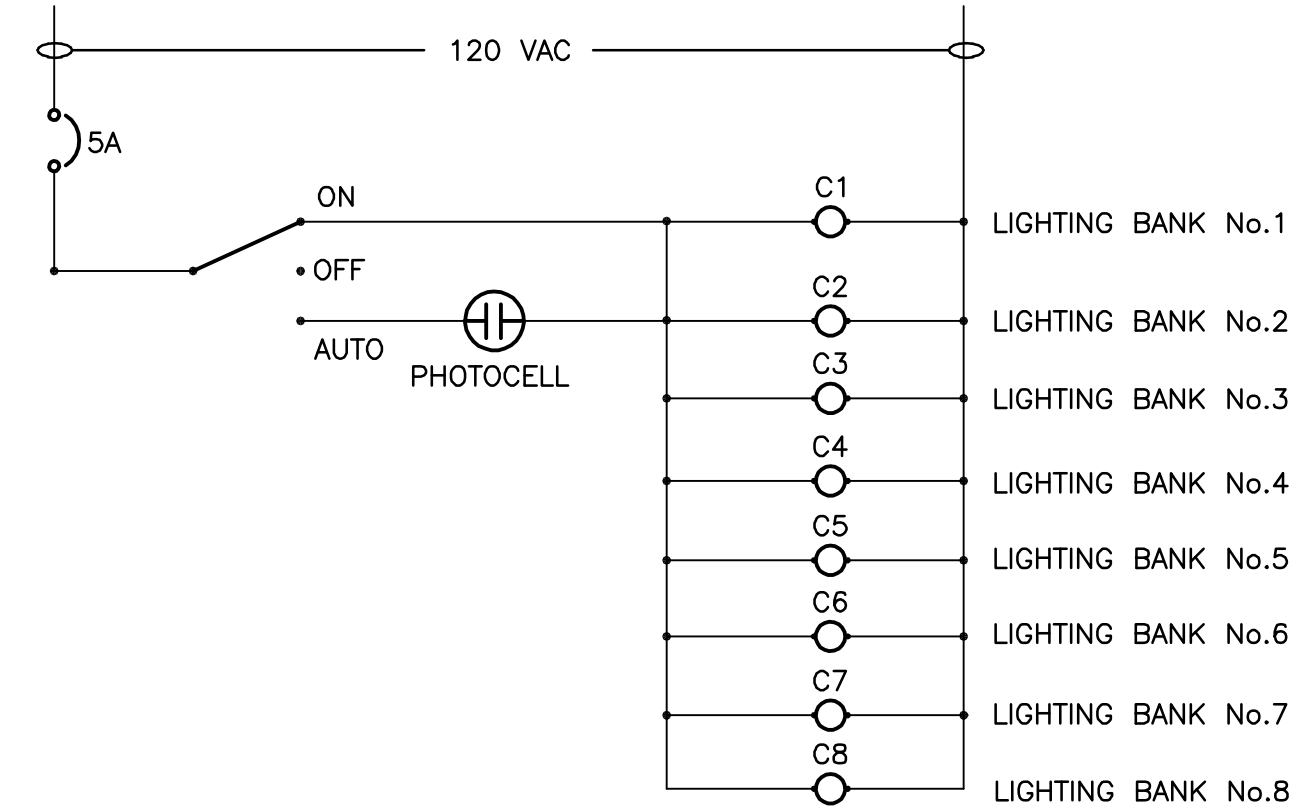


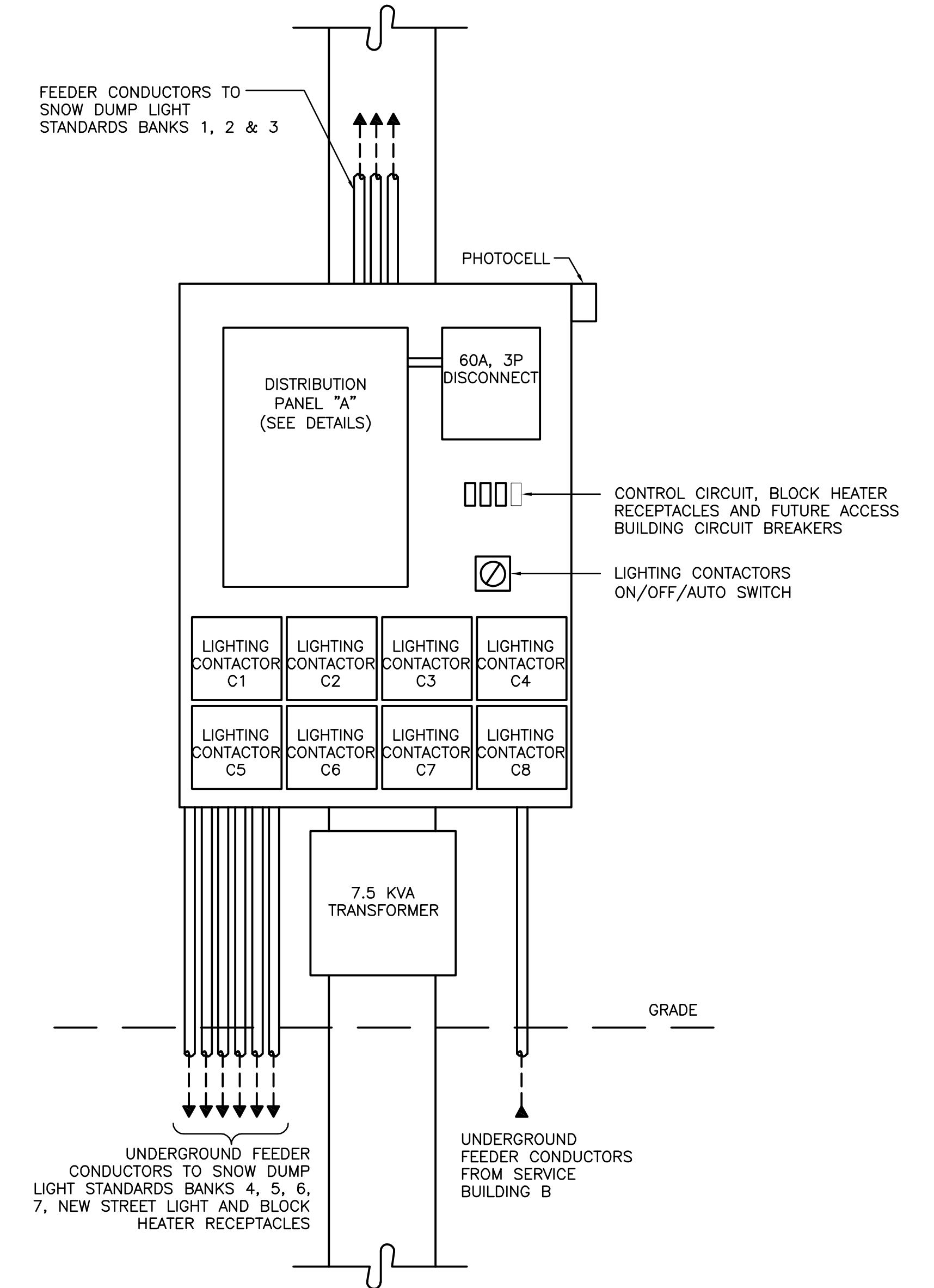
POLE DETAIL
N.T.S.



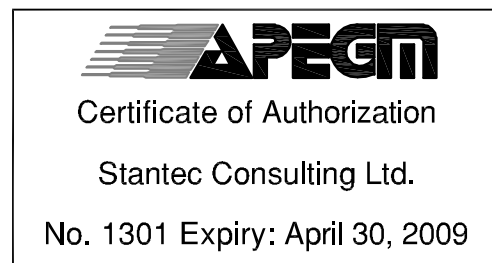
PANEL "A"		347/600V, 3φ, 4W			60A MAINS	
DESCRIPTION	COIL	BRK AMP	A B C	BRK AMP	COIL	DESCRIPTION
LIGHTING BANK No.1	1	15	+	20	2	7.5KVA TRANSFORMER
LIGHTING BANK No.2	3	15	+	4	4	
LIGHTING BANK No.3	5	15	+	15	6	LIGHTING BANK No.5
LIGHTING BANK No.4	7	15	+	15	8	LIGHTING BANK No.7
LIGHTING BANK No.5	9	15	+	15	10	ROAD LIGHT
	11				12	
	13				14	
	15				16	
	17				18	



LIGHTING CONTACTOR WIRING DIAGRAM



LIGHTING POWER PANEL PROPOSED LAYOUT
(EXTERIOR DOORS REMOVED)



METRIC
WHOLE NUMBERS INDICATE MILLIMETRES
DECIMALIZED NUMBERS INDICATE METRES

WARNING

IF POWER EQUIPMENT OR EXPLOSIVES ARE TO BE USED FOR EXCAVATION ON THIS PROJECT THE CONTRACTOR MUST:
1) NOTIFY THE GAS COMPANY OF THE PROPOSED LOCATION OF EXCAVATION.
2) TAKE PRECAUTION TO AVOID DAMAGE TO GAS COMPANY INSTALLATIONS.
SEE PROVINCIAL REGULATION 140/92 FOR DETAILS

LOCATION APPROVED UNDERGROUND STRUCTURES

SUPV. U/G STRUCTURES COMMITTEE	DATE

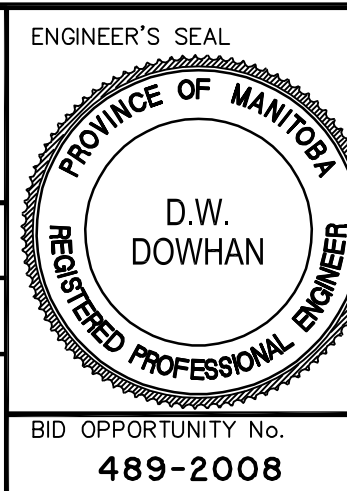
NOTE:
LOCATION OF UNDERGROUND STRUCTURES AS SHOWN ARE BASED ON THE BEST INFORMATION AVAILABLE BUT NO GUARANTEE IS GIVEN THAT ALL EXISTING UTILITIES ARE SHOWN OR THAT THE GIVEN LOCATIONS ARE EXACT. CONFIRMATION OF EXISTENCE AND EXACT LOCATION OF ALL SERVICES MUST BE OBTAINED FROM THE INDIVIDUAL UTILITIES BEFORE PROCEEDING WITH CONSTRUCTION.

NO.	REVISIONS	DATE	BY

Stantec Consulting Ltd.
905 Waverley Street, Winnipeg, Manitoba
Tel 204-489-5900 Fax 204-453-9012

DESIGNED BY: D.W.D.	CHECKED BY: D.W.D.
DRAWN BY: D.K.G.	APPROVED BY: D.W.D.
HOR. SCALE: AS NOTED	RELEASED FOR CONSTRUCTION:
VERTICAL:	

DATE 08.04.28



THE CITY OF WINNIPEG
WATER AND WASTE DEPARTMENT

SOUTH END WATER POLLUTION CONTROL CENTRE
SNOW DUMP
ELECTRICAL DETAILS

BID OPPORTUNITY No. 489-2008
CITY DRAWING NUMBER I-0102A-D-E0001-002-00
SHEET 6 OF 6

U:\112089\1\24_ drawings\Electrical\Sheet_11-0102A-D-E0001-002-000.dwg
2008-08-10 04:58:01 By: wmmiller