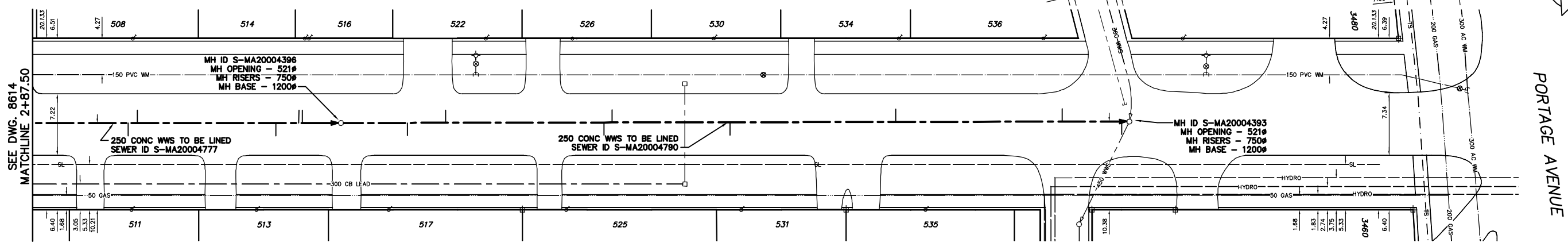


NOTE: CHAINAGES SHOWN ARE ALONG E R OF SEATON ST.

SEATON STREET



SEE DWG. 8614 MATCHLINE 2+87.50

PORTAGE AVENUE

ADDRESS	SIZE	R DIST	JUNCTION TIE
508 SEATON ST	-	-	-
RESIDENTIAL	-	-	-
511 SEATON ST	-	-	-
RESIDENTIAL	-	-	-
513 SEATON ST	7.62 N OF SL	-	-
RESIDENTIAL	-	-	-
514 SEATON ST	-	-	-
RESIDENTIAL	-	-	-
516 SEATON ST	-	-	-
RESIDENTIAL	-	-	-
517 SEATON ST	7.62 N OF SL	-	-
RESIDENTIAL	-	-	-
522 SEATON ST	4.93 S OF NL	-	-
RESIDENTIAL	-	-	-

ADDRESS	SIZE	R DIST	JUNCTION TIE
526 SEATON ST	-	6.17 N OF SL	-
RESIDENTIAL	-	-	-
526 SEATON ST	-	4.57 N OF SL	-
RESIDENTIAL	-	-	-
530 SEATON ST	-	-	-
RESIDENTIAL	-	-	-
531 SEATON ST	-	3.65 N OF SL	-
RESIDENTIAL	-	-	-
534 SEATON ST	-	0.62 S OF NL	-
RESIDENTIAL	-	-	-
536 SEATON ST	-	-	-
RESIDENTIAL	-	-	-

SEWER JUNCTION INFORMATION FROM SEWER VIDEO INSPECTION SEWER ID S-MA20004777					
DISTANCE FROM MH ID S-MH20004397					
65.3 N	150#	EAST	CNI	-	-
66.4 N	150#	TOP	JN	-	-
82.7 N	150#	TOP	JN	-	-
85.4 N	150#	WEST	CN	-	-
85.8 N	150#	WEST	CXI	-	-

SEWER JUNCTION INFORMATION FROM SEWER VIDEO INSPECTION SEWER ID S-MA20004790					
DISTANCE FROM MH ID S-MH20004396					
7.8 N	150#	EAST	CNI	-	-
12.3 N	150#	TOP	JN	-	-
31.0 N	150#	TOP	JN	-	-
31.9 N	150#	WEST	CNI	-	-
45.8 N	150#	TOP	JN	-	-
65.3 N	150#	TOP	JN	-	-
84.9 N	150#	TOP	JN	-	-
91.9 N	250#	BOT	JN	-	-



METRIC
WHOLE NUMBERS INDICATE MILLIMETRES
DECIMALIZED NUMBERS INDICATE METRES

WARNING
IF POWER EQUIPMENT OR EXPLOSIVES ARE TO BE USED FOR EXCAVATION ON THIS PROJECT THE CONTRACTOR MUST:
1) NOTIFY THE GAS COMPANY OF THE PROPOSED LOCATION OF EXCAVATION.
2) TAKE PRECAUTION TO AVOID DAMAGE TO GAS COMPANY INSTALLATIONS.
SEE PROVINCIAL REGULATION 210/72 FOR DETAILS

200 WM	WATERMAIN	200 WM	SL, HYDRO	150 WM	WATERMAIN	150 WM
⊕	HYDRANT	⊕	MTS	+	HYDRANT	+
⊙	VALVE	⊙	TRAFFIC SIGNALS	⊕	VALVE	⊕
525 LDS	LAND DRAINAGE SEWER	525 LDS	GAS	50 GAS	300 LDS	LAND DRAINAGE SEWER
375 WWS	WASTEWATER SEWER	375 WWS	SURVEY BAR	250 WWS	250 WWS	WASTEWATER SEWER
○	MANHOLE	●	FENCE	⊕	⊕	PROFILE
□	CATCH BASIN	■	POLE - HYDRO, MTS	⊕	⊕	GROUND ABOVE PIPE
▽	CURB INLET	▽	CURB STOP	⊕	⊕	⊕ DITCH (NORTH & WEST)
⊕	JUNCTIONS	⊕	GUY ANCHOR	⊕	⊕	⊕ DITCH (SOUTH & EAST)
⊕	CULVERT	⊕	LIGHT STANDARD	⊕	⊕	⊕ GUTTER (NORTH & EAST)
⊕	ANODE	⊕	TREE	⊕	⊕	⊕ GUTTER (SOUTH & EAST)
EXISTING	LEGEND-PLAN	PROPOSED	EXISTING	LEGEND-PLAN	PROPOSED	EXISTING
EXISTING	LEGEND-PROFILE	PROPOSED	EXISTING	LEGEND-PROFILE	PROPOSED	EXISTING

LOCATION APPROVED UNDERGROUND STRUCTURES

SUPV. U/G STRUCTURES COMMITTEE DATE

NOTE:
LOCATION OF UNDERGROUND STRUCTURES AS SHOWN ARE BASED ON THE BEST INFORMATION AVAILABLE BUT NO GUARANTEE IS GIVEN THAT ALL EXISTING UTILITIES ARE SHOWN OR THAT THE GIVEN LOCATIONS ARE EXACT. CONFIRMATION OF EXISTENCE AND EXACT LOCATION OF ALL SERVICES MUST BE OBTAINED FROM THE INDIVIDUAL UTILITIES BEFORE PROCEEDING WITH CONSTRUCTION.

B.M. ELEV.	FIELD BOOK #:
POSTED TO LBS	
NO. REVISIONS	DATE BY

CITY OF WINNIPEG WATER AND WASTE ENGINEERING DIVISION

DESIGNED BY DB/SC CHECKED BY SC
DRAWN BY C/JH APPROVED BY KZ
HOR. SCALE 1:250 VERTICAL 1:50
DATE 2008 07 08

ENGINEER'S SEAL
ORIGINAL SIGNED BY K.R. ZUREK 08/07/08

THE CITY OF WINNIPEG WATER AND WASTE DEPARTMENT

2008 SEWER RENEWALS BY CIPP LINING
SEATON STREET
36 S OF 4TH MH N OF ALLARD AVENUE TO 5TH MH N OF ALLARD AVENUE

SHEET 17 OF 24
CITY DRAWING NUMBER 8615