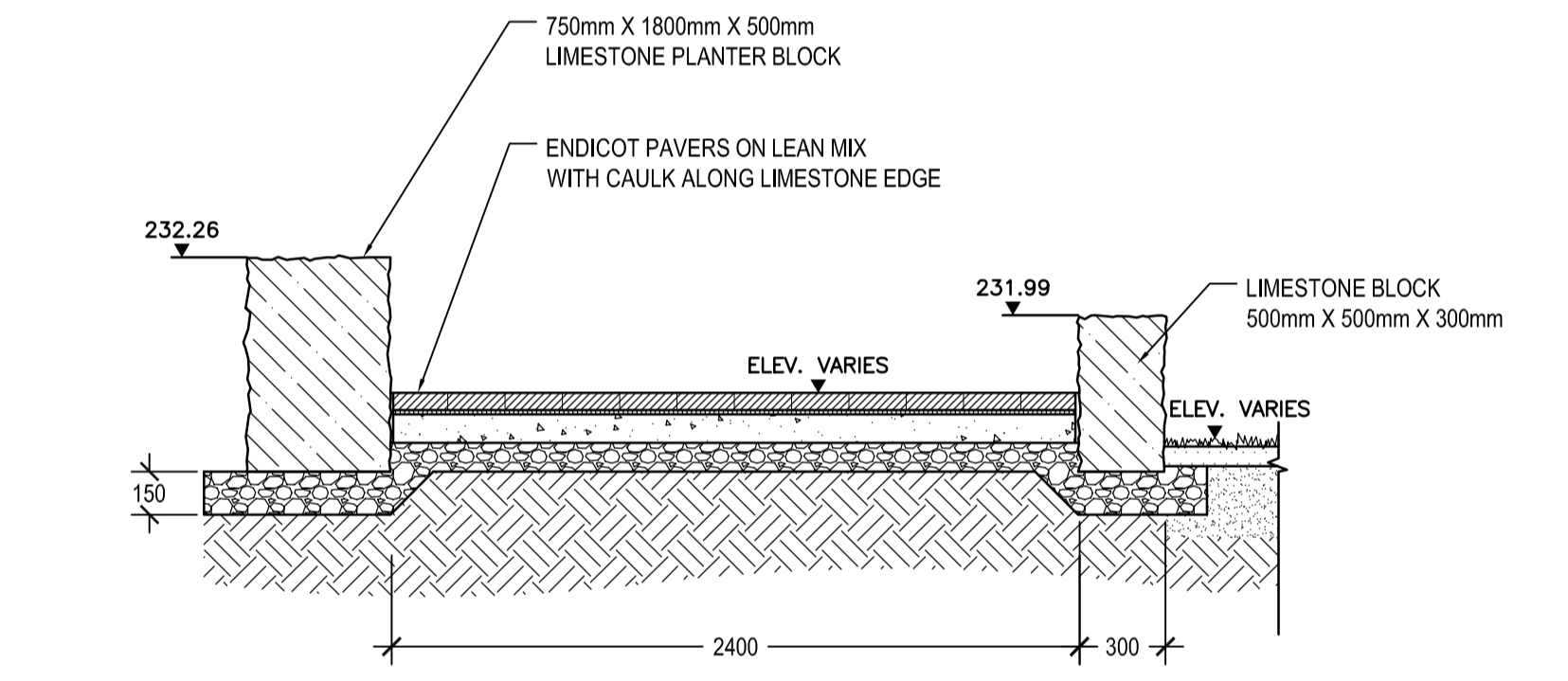
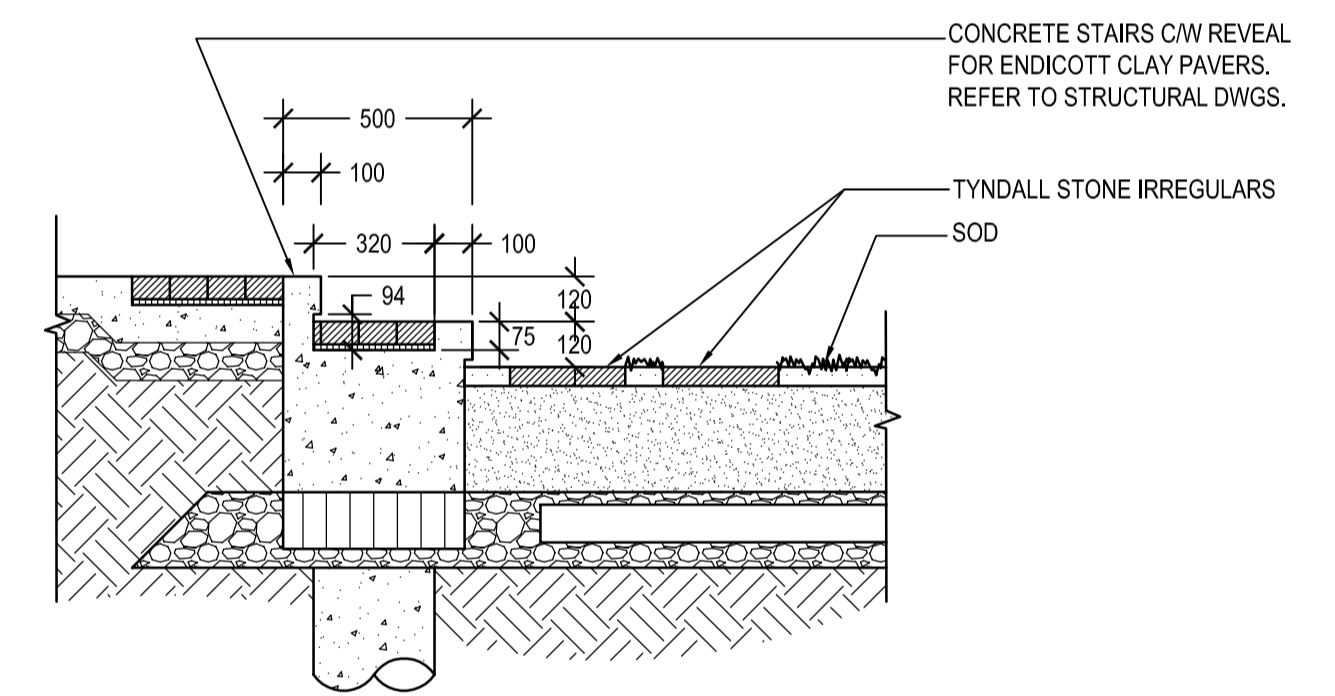


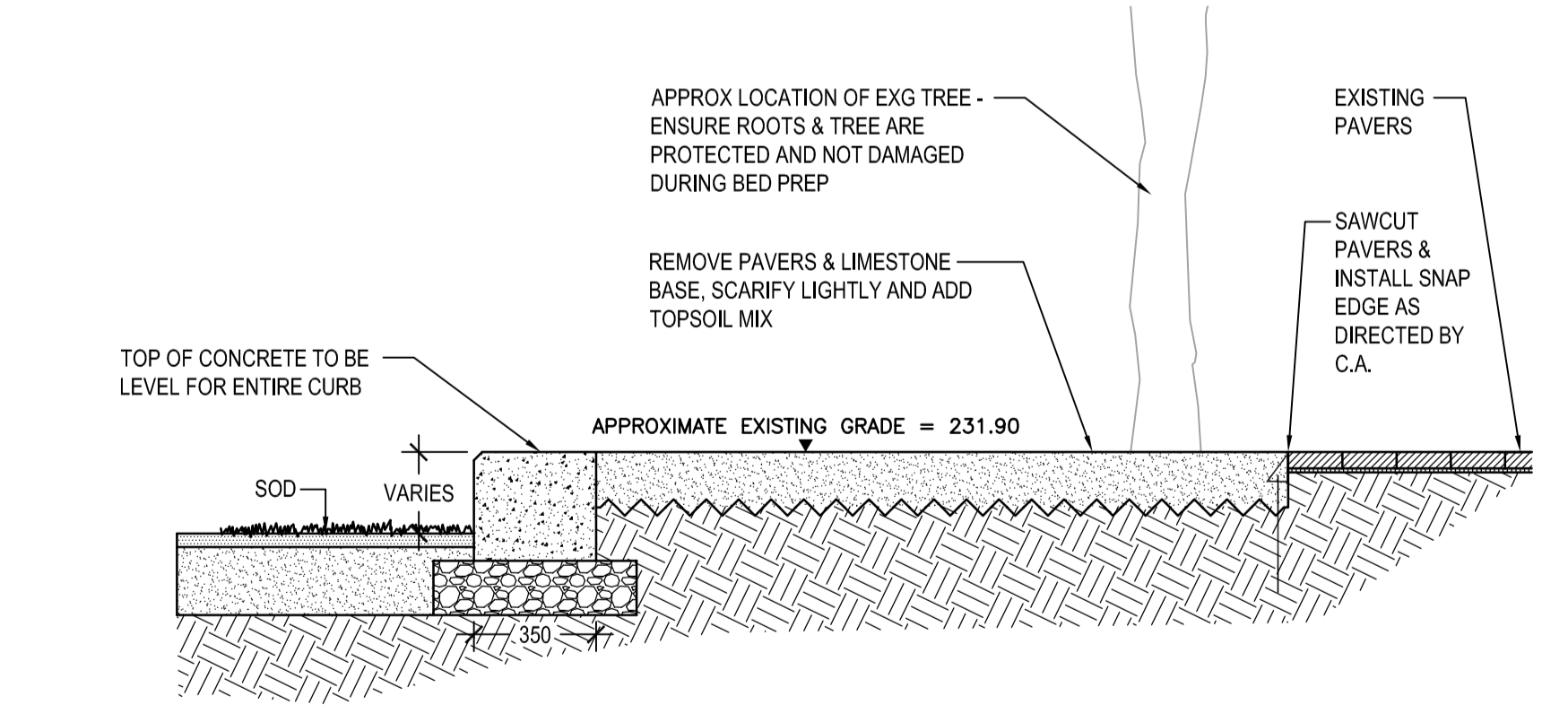
1 LIMESTONE PLANTER - SECTION
SCALE: NTS



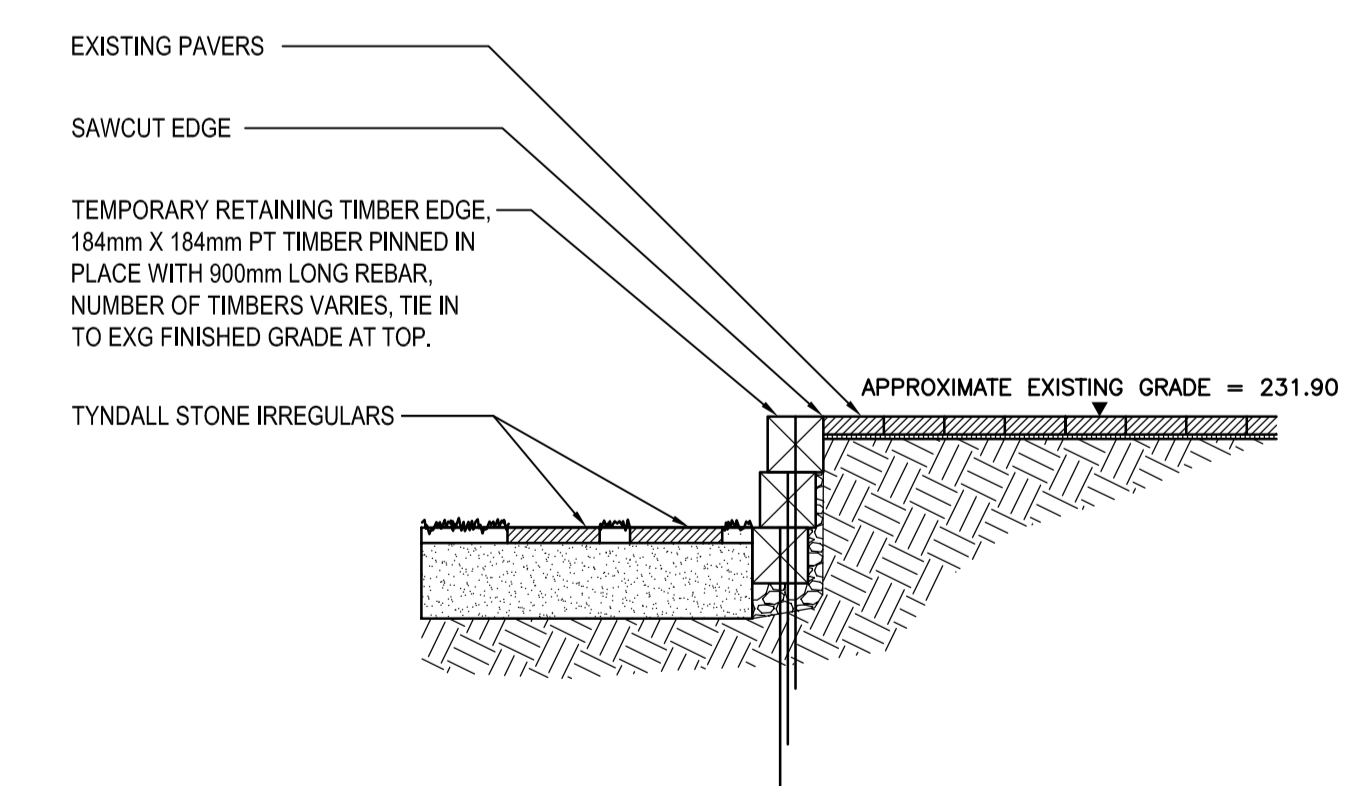
2 SLOPED WALKWAY - SECTION
SCALE: NTS



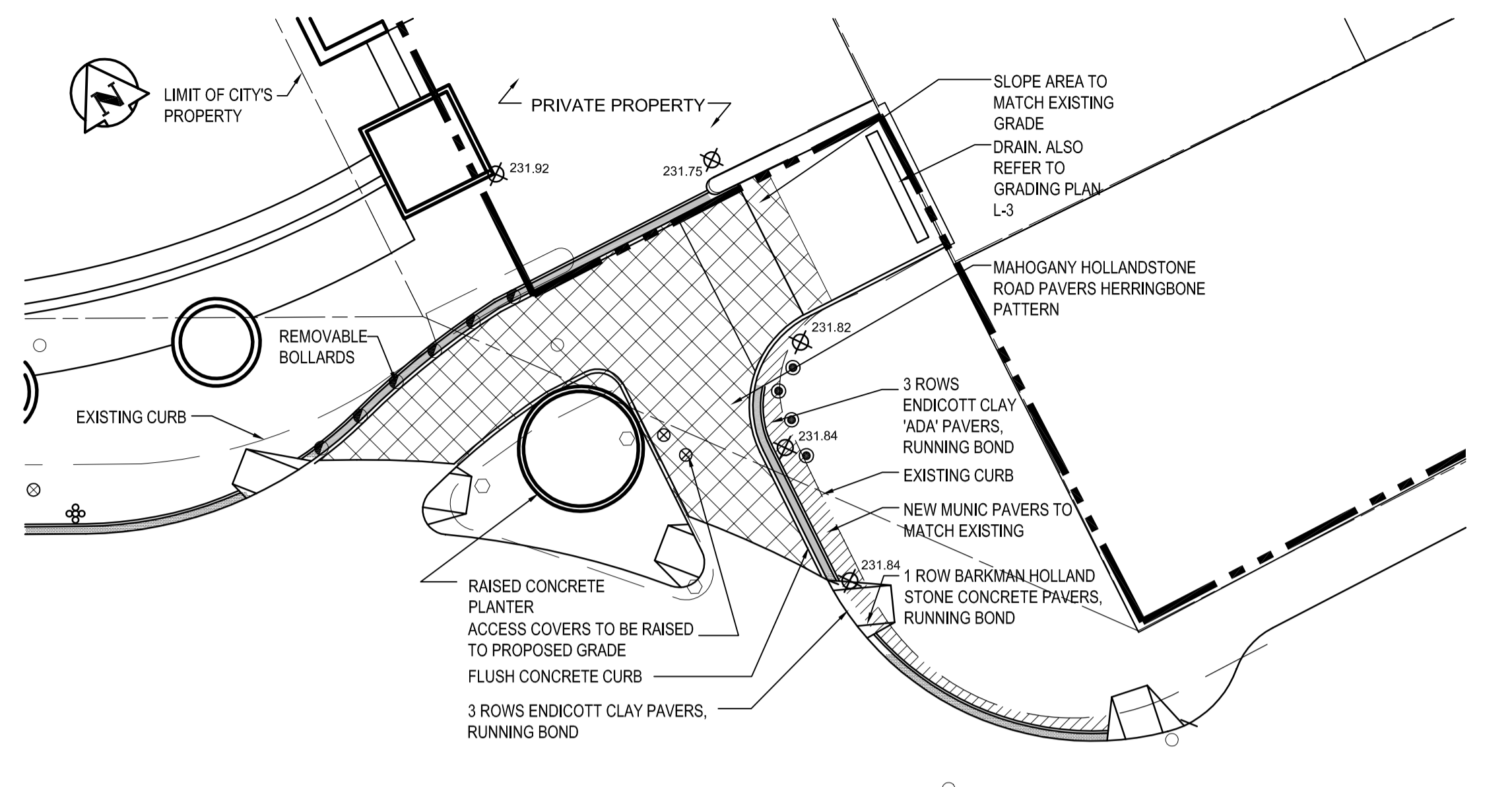
4 TYPICAL STAIR - SECTION
SCALE: NTS



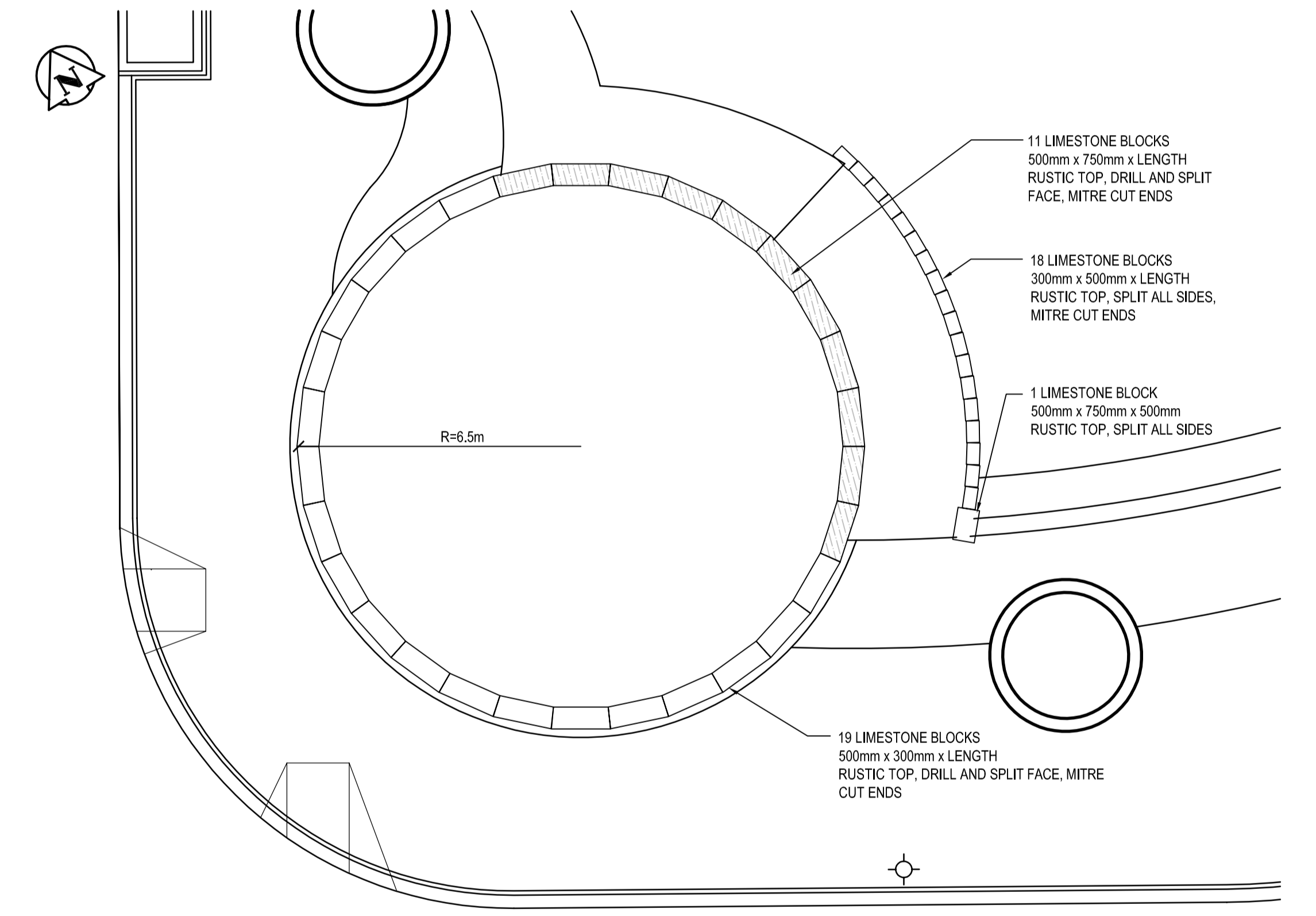
3 SQUARE PLANTER - SECTION
SCALE: NTS



5 TEMPORARY RETAINING TIMBER EDGE - SECTION
SCALE: NTS



6 LETINSKY PARKING ENTRY - DETAIL
SCALE 1 : 200



7 KING STREET PLANTER - ENLARGEMENT
SCALE 1 : 100

WARNING
IF POWER EQUIPMENT OR EXPLOSIVES ARE TO BE USED FOR EXCAVATION ON THIS PROJECT THE CONTRACTOR MUST:
1) NOTIFY THE GAS COMPANY OF THE PROPOSED LOCATION OF EXCAVATION.
2) TAKE PRECAUTION TO AVOID DAMAGE TO GAS COMPANY INSTALLATIONS.
SEE PROVINCIAL REGULATION 140/92 FOR DETAILS

METRIC
WHOLE NUMBERS INDICATE MILLIMETRES
DECIMALIZED NUMBERS INDICATE METRES

S:\proj\murray\projects\2008\Projects\014 - King Street & Old Market Square\CAD\Construction_Rig\Draws_Ext_Tender-2008-07-14\014_L5-6_SECS&DET.dwg
7/14/2008 11:18 AM B.S.M.

150 WM	WATERMAIN	150 WM	HYDRANT	150 WM	WATERMAIN	150 WM	HYDRANT, VALVE
300 LDS	LAND DRAINAGE SEWER	300 LDS	VALVE	300 LDS	LAND DRAINAGE SEWER	300 LDS	LAND DRAINAGE SEWER
250 WWS	WASTE WATER SEWER	250 WWS	MANHOLE	250 WWS	WASTE WATER SEWER	250 WWS	WASTE WATER SEWER
	CATCH BASIN		CATCH BASIN				
	CURB INLET		CURB INLET				
	JUNCTIONS		JUNCTIONS (31.334)				
	CULVERT		CULVERT				
	GAS		GAS				
EXISTING	LEGEND-PLAN	PROPOSED	EXISTING	LEGEND-PLAN	PROPOSED	EXISTING	LEGEND-PROFILE

LOCATION APPROVED UNDERGROUND STRUCTURES		B.M. ELEV.	
NO.	REVISIONS	DATE	BY
0	ISSUED FOR TENDER	08.07.14	DM

SCATLIFF + MILLER + MURRAY Inc.

DESIGNED BY	CO / DM	CHECKED BY	DM
DRAWN BY	MBP / MB / WF	APPROVED BY	CO
SCALE:	AS NOTED	RELEASED FOR CONSTRUCTION:	
DATE	08.07.14	DATE	08.07.14

LANDSCAPE ARCHITECT'S SEAL
ORIGINALLY SEALED BY
DEREK MURRAY
2008/07/14

THE CITY OF WINNIPEG
DEPARTMENT OF PLANNING
PROPERTY AND DEVELOPMENT

KING STREET - RECONSTRUCTION
OLD MARKET SQUARE - PHASE 1
REDEVELOPMENT
SECTIONS & DETAILS B

CONSULTANT DRAWING NO.
L-6

SHEET 11 OF 15
CAD FILE DRAWING NUMBER
8014_L5-L6_SECS&DET.dwg
CITY DRAWING NUMBER
P-3295-10