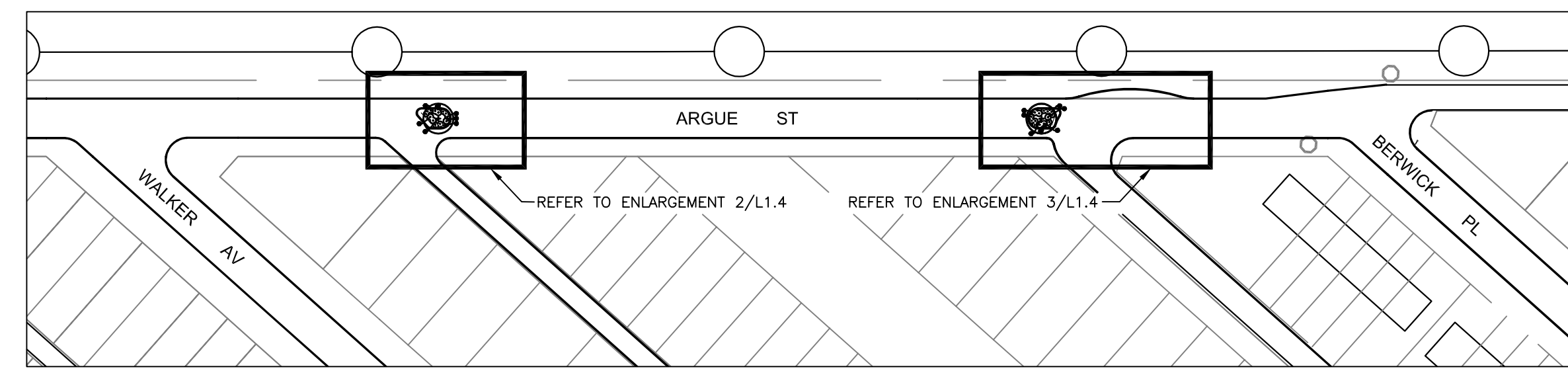
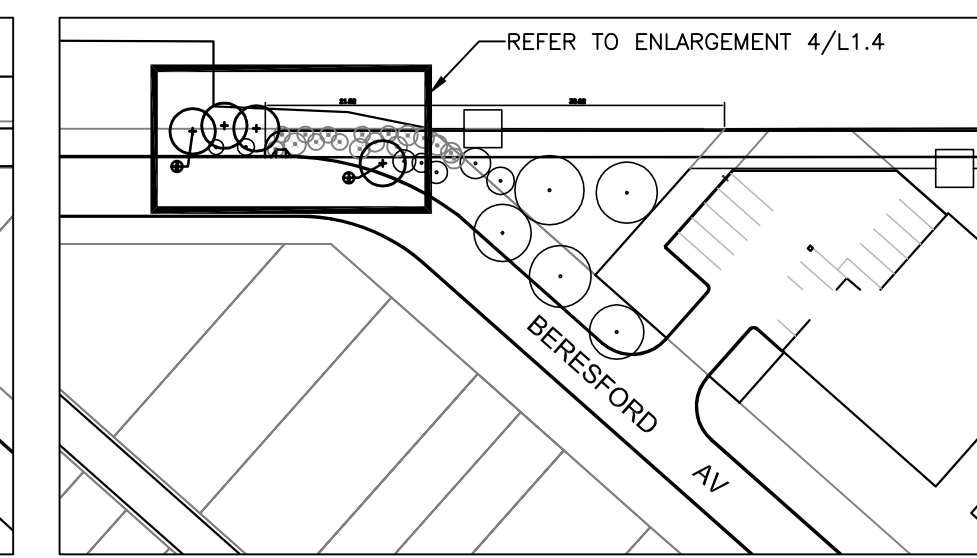


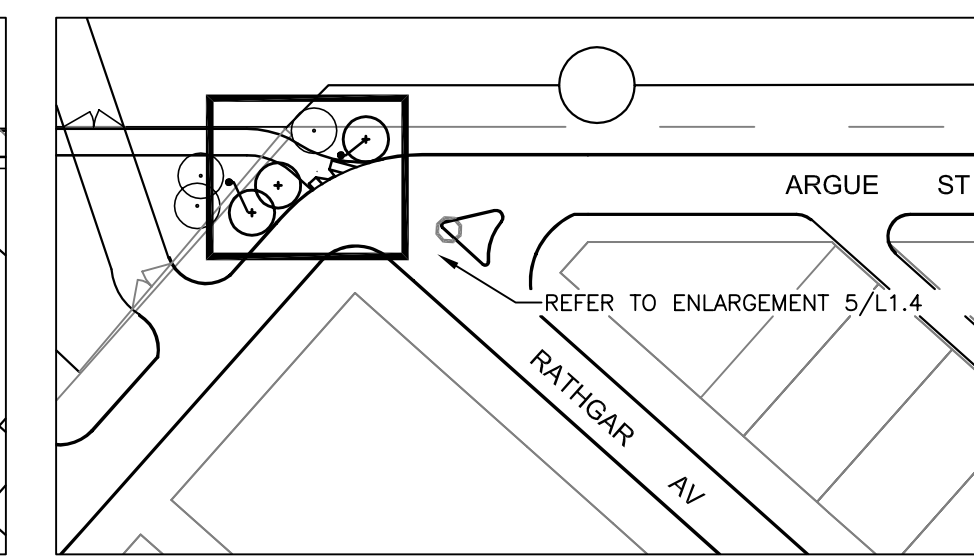
SITE PLAN
SCALE 1:1000



SITE PLAN
SCALE 1:1000



SITE PLAN
SCALE 1:1000

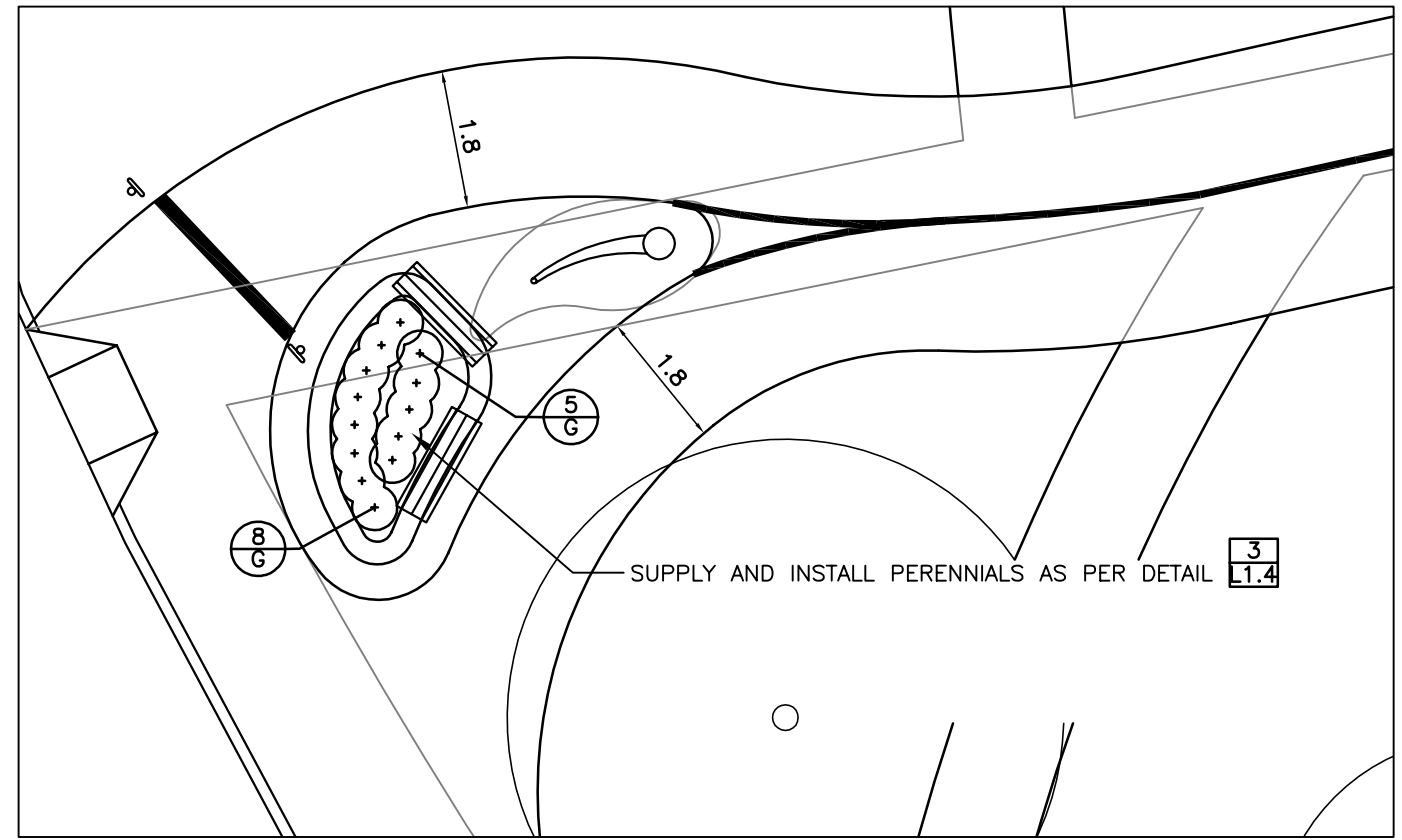


SITE PLAN
SCALE 1:1000

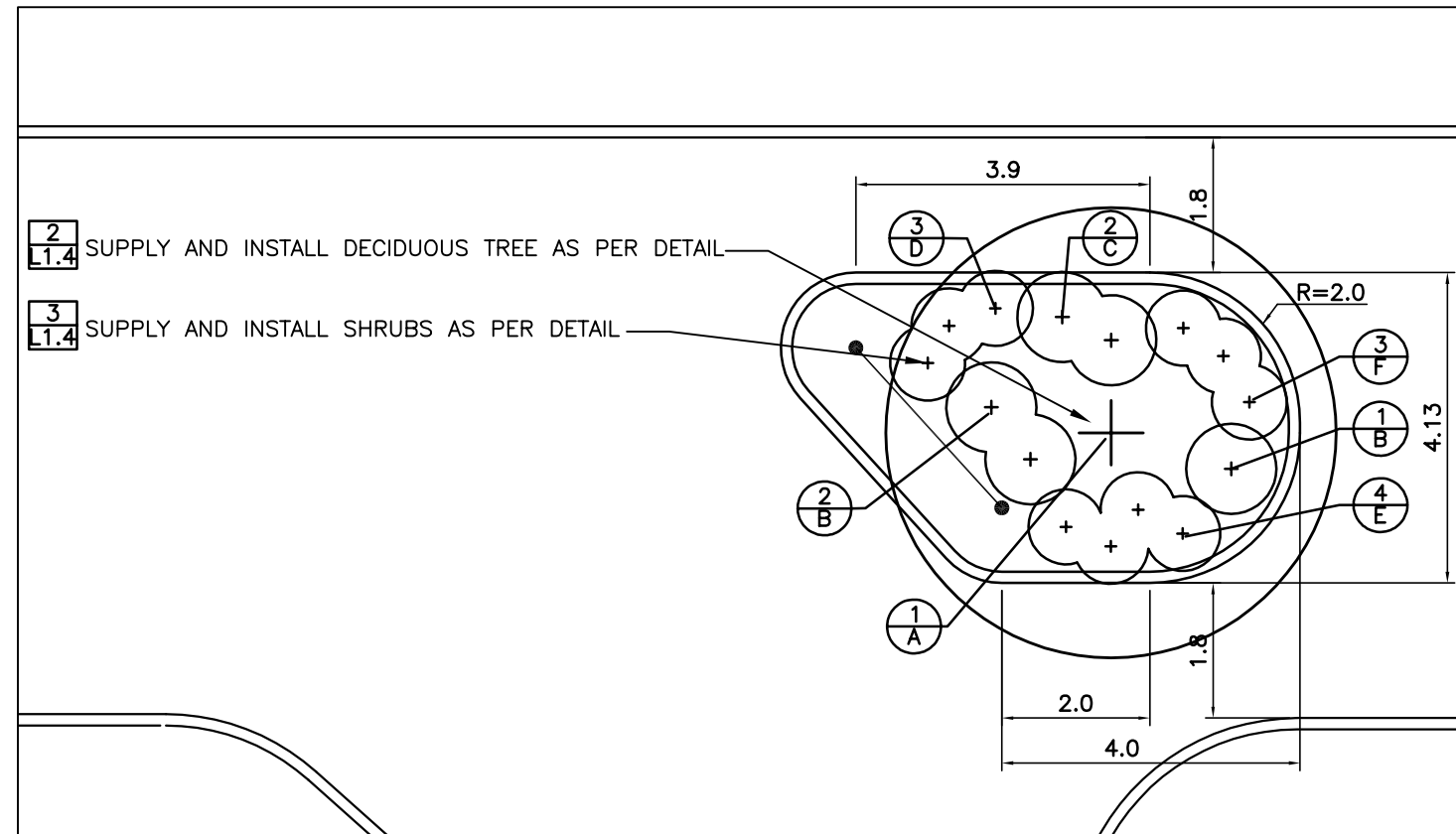
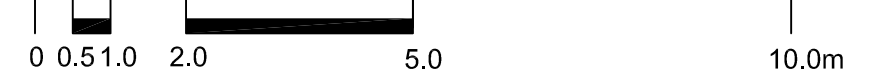


PARTIAL PLANT LIST (REFER TO L1.1)

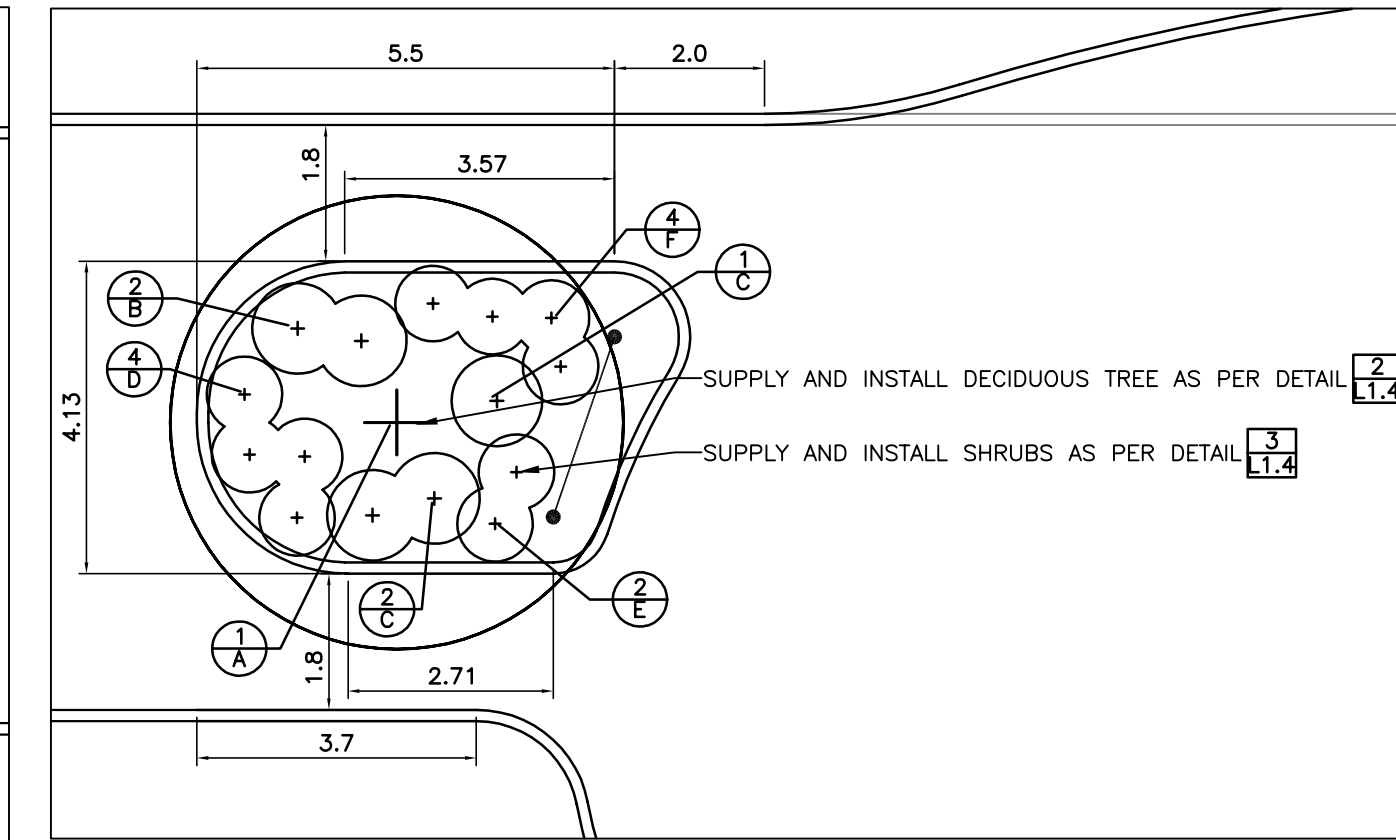
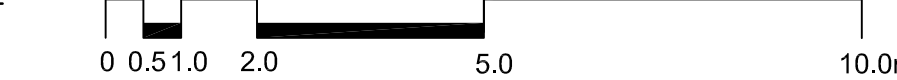
KEY	COMMON NAME/BOTANICAL NAME
DECIDUOUS TREES	
A	MANITOBA MAPLE / ACER NEGUNDO
B	MANCHURIAN ASH / FRAXINUS MANDSHURICA 'MANCANA'
C	GREEN ASH / FRAXINUS PENNSYLVANICA
D	AMERICAN BASSWOOD / TILIA AMERICANA
E	AMERICAN ELM / ULMUS AMERICANA
DECIDUOUS SHRUBS	
F	DIABOLO NINEBARK / PHYSOCARPUS OPULIFOLIUS 'DIABLO'
G	PINK BEAUTY POTENTILLA / POTENTILLA FRUTICOSA 'PINK BEAUTY'
H	SHIROBANA SPIREA / SPIREA JAPONICA 'SHIROBANA'
J	SNOWMOUND SPIREA / SPIREA NIPPONICA 'SNOWMOUND'
K	COMPACT AMERICAN CRANBERRY / VIBURNUM TRILOBUM 'COMPACTUM'
PERENNIALS	
L	DAYLILY / HEMEROCALIS SP.



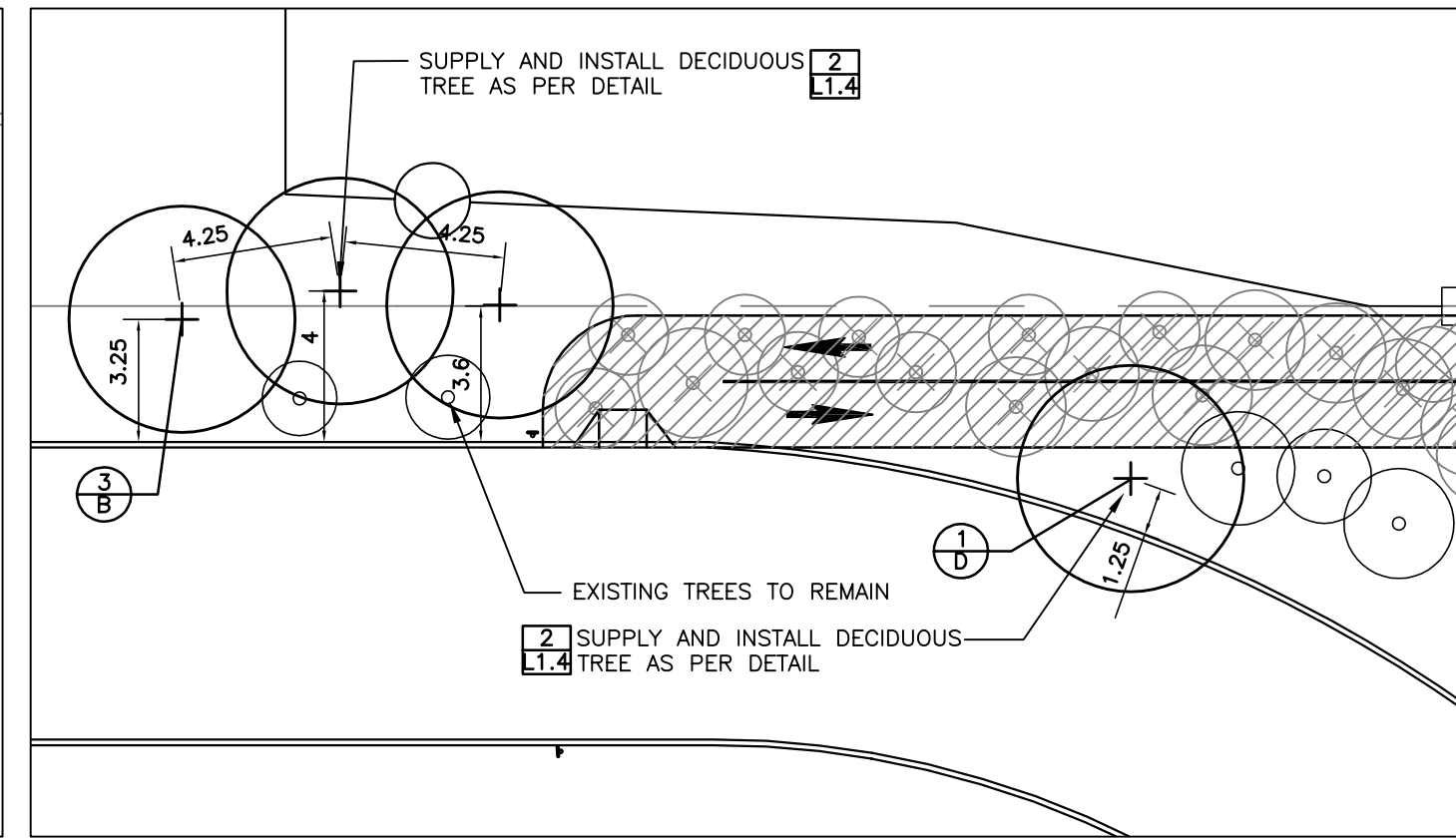
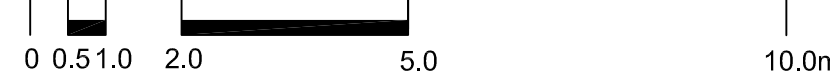
ENLARGEMENT 1/L1.4
SCALE 1:100



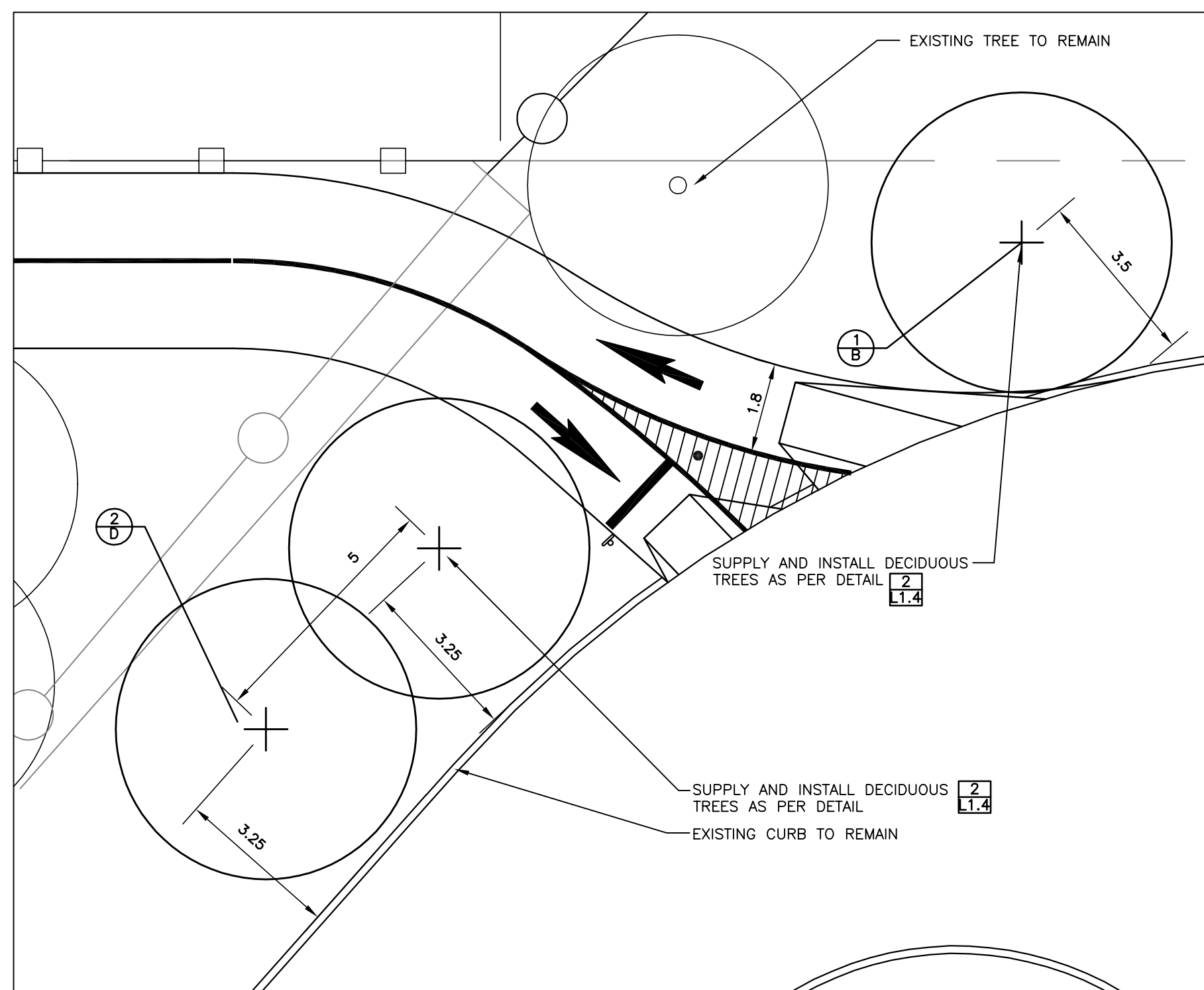
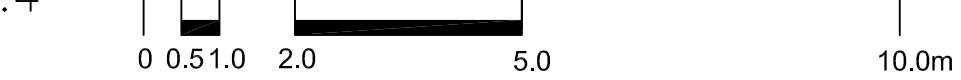
ENLARGEMENT 2/L1.4
SCALE 1:100



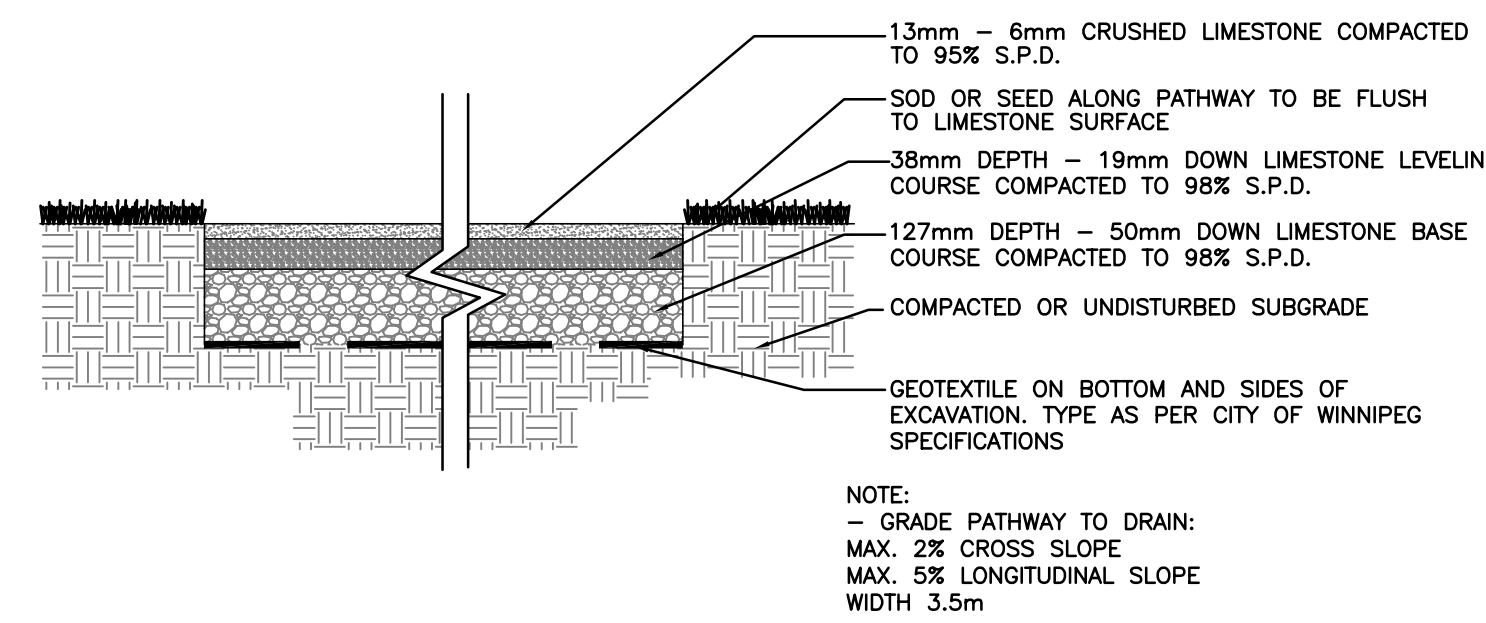
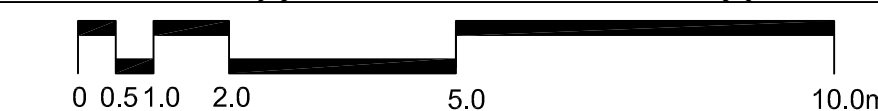
ENLARGEMENT 3/L1.4
SCALE 1:100



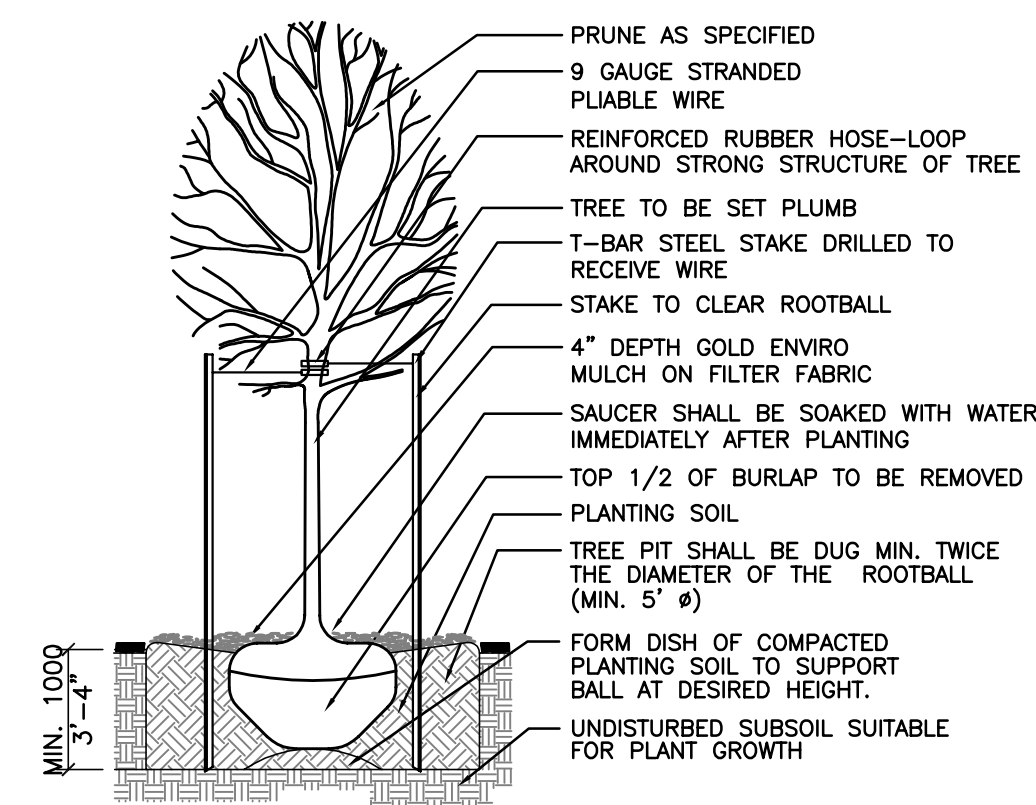
ENLARGEMENT 4/L1.4
SCALE 1:200



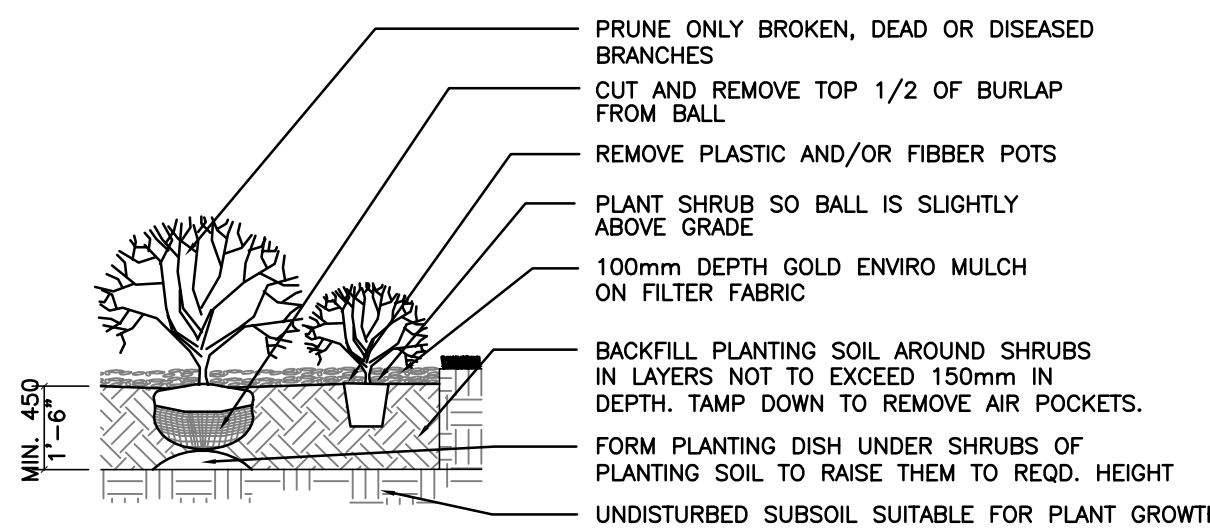
ENLARGEMENT 5/L1.4
SCALE 1:100



1 CRUSHED LIMESTONE PATHWAY
L1.2 N.T.S.



2 TYPICAL DECIDUOUS TREE PLANTING
L1.1 N.T.S.



3 TYPICAL SHRUB BED PLANTING / MULCH BED
L1.1 N.T.S.

NOTES

- ALL DIMENSIONS SHOWN IN METRIC UNITS. NUMBERS WITH DECIMALS INDICATE METERS. WHOLE NUMBERS INDICATE MILLIMETERS.
- ALL UTILITIES ARE SHOWN AS INFORMATION ONLY. CONTRACTOR TO CONFIRM LOCATION OF ALL UTILITIES ON SITE PRIOR TO CONSTRUCTION.
- CONTRACTOR TO STAKE OUT LOCATION OF ALL WORKS FOR APPROVAL BY CONTRACT ADMINISTRATOR PRIOR TO ANY CONSTRUCTION OR REMOVALS.
- CONTRACTOR TO CONFIRM ALL DIMENSIONS ON SITE AND REPORT ANY DISCREPANCIES TO THE CONTRACT ADMINISTRATOR PRIOR TO CONSTRUCTION.
- SLOPE TOLERANCES:
PATHWAY:
-MIN. CROSS SLOPE 1%
-MAX. CROSS SLOPE 2%
-MAX. LONGITUDINAL 5%
SODDED AREA:
-MIN. 2%
-MAX. 25%
- DURING CONSTRUCTION, CONTRACTOR TO PROTECT TO CITY OF WINNIPEG STANDARDS ALL EXISTING TREES, SIDEWALKS, CURBS, SOD, UTILITIES, AND PAVING TO REMAIN. AREAS DAMAGED DURING CONSTRUCTION TO BE REPAIRED TO CITY OF WINNIPEG STANDARDS AT CONTRACTOR'S COST.
- CONTRACTOR IS RESPONSIBLE FOR ALL REMOVALS AS REQUIRED TO CONSTRUCT ALL WORKS AS SHOWN ON PLANS AND DETAILS. ALL ITEMS TO BE REMOVED MUST BE DISPOSED OF LEGALLY OFF SITE.
- CONTRACTOR TO REPAIR ALL ON AND OFF SITE SODDED AREAS, SHRUB BEDS, TREES, CONCRETE, ROAD PAVING AND CURBS ETC., DAMAGED DURING CONSTRUCTION TO CONTRACT ADMINISTRATOR'S SATISFACTION AND TO THE CITY OF WINNIPEG STANDARDS AT HIS/HER OWN COST.
- ALL WORK TO BE DONE IN ACCORDANCE WITH CITY OF WINNIPEG STANDARD CONSTRUCTION SPECIFICATIONS UNLESS OTHERWISE NOTED.
- REFER ALSO TO WRITTEN SPECIFICATIONS.
- ENSURE POSITIVE DRAINAGE ON PATHWAYS AND IN ADJACENT SODDED AREAS.
- MAINTAIN EXISTING GRADE AND DRAINAGE PATTERNS WHERE POSSIBLE.
- CONSTRUCTION ACCESS TO BE LIMITED TO THE ROUTES SPECIFIED ON SITE BY CONTRACT ADMINISTRATOR.
- CONTRACTOR TO ADJUST GRADES OF ALL SERVICES WITHIN LIMIT OF WORK AS REQUIRED INCLUDING ALL MANHOLES, CATCH BASINS, FIRE HYDRANT, CURB STOPS, ETC.
- ALL TREES TO BE PLANTED MIN. 3.0m AWAY FROM LIMESTONE PATHWAYS.

NOTE:
ENSURE POSITIVE DRAINAGE ON ALL PATHWAYS AND NEW SODDED AREAS TO EXISTING SWALES AND CATCH BASINS

LEGEND

- EXISTING TREES TO REMAIN
- EXISTING TREES TO BE REMOVED
- NEW DECIDUOUS TREES
- EXISTING WASTE RECEPTACLE
- EXISTING BENCH
- EXISTING STREET LIGHT
- EXISTING FIRE HYDRANT
- EXISTING MANHOLE
- DETAIL KEY
- DETAIL NUMBER
- SHEET NUMBER
- PLANT KEY
- QUANTITY
- PLANT KEY

No.	Revisions	Date	By
-	-	-	-
-	ISSUED FOR TENDER	07/18/08	AH
-	ISSUED FOR PERMIT	06/27/08	AH

Date: 20-06-08 Scale: AS NOTED

Designed By: SR/AH Drawn By: TM Checked By: AH

Seals

McGOWAN RUSSELL
Client
CITY OF WINNIPEG

Project Title
WINSMART ACTIVE TRANSPORTATION PATHWAY

Sheet Title
PHASE 2 ENLARGEMENTS/DETAILS

Project No. 07-018 Drawing No. L1.4