

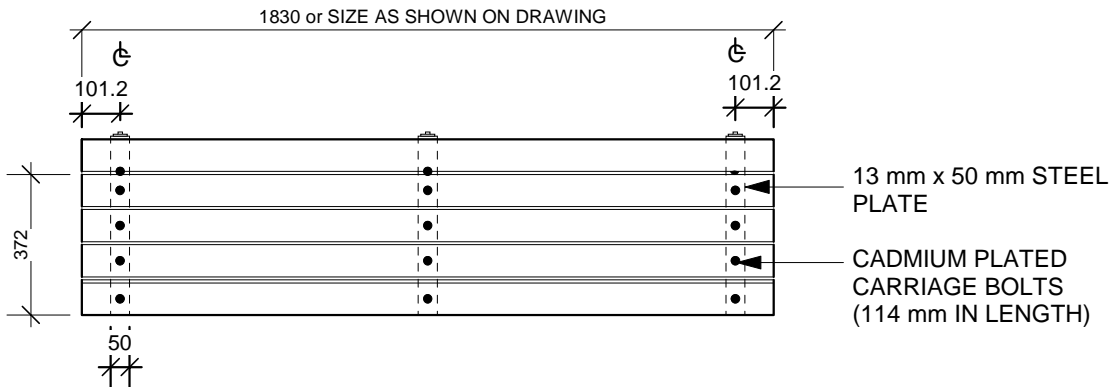
MATERIALS

- 100 mm x 100 mm COMPOSITE BOARDS
- CEDAR TONE FINISH
- METAL FINISH - PRIME WITH RUSTOLEUM NO. 769
- FINISH WITH SAPOLIN
- BLACK WROUGHT FINISH

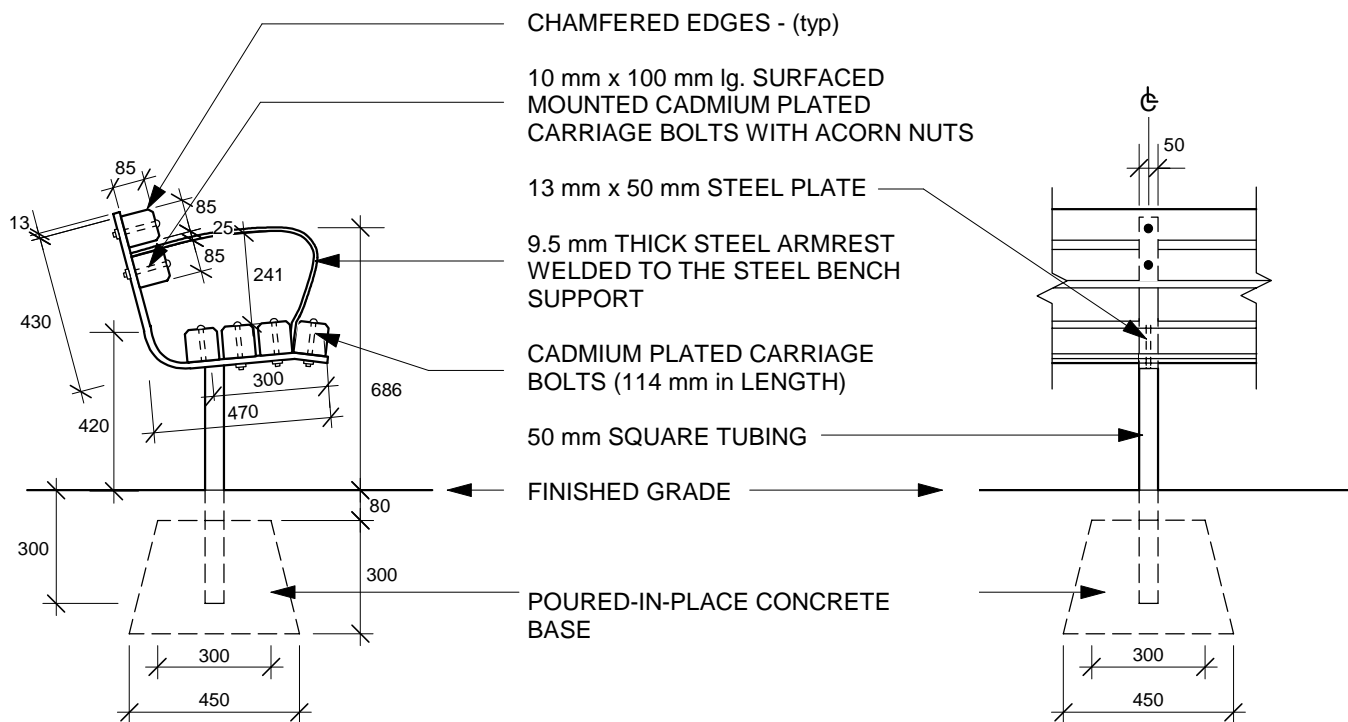
TITLE

TACHE BENCH COMPOSITE with ARMS

SCD - 139



PLAN VIEW



SIDE ELEVATION

FRONT ELEVATION

NOTE: ALL DIMENSIONS SHOWN ARE IN MILLIMETERS

1:20
 DATE : NOV 2007
 DRAWN BY: SP

THE CITY OF WINNIPEG
 Planning, Property and Development Department
 Planning and Land Use Division
 Unit 15 - 10 Fort Street, Winnipeg, MB, R3C 4X5

