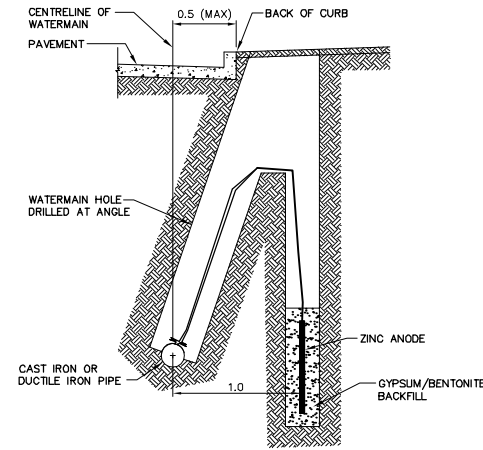
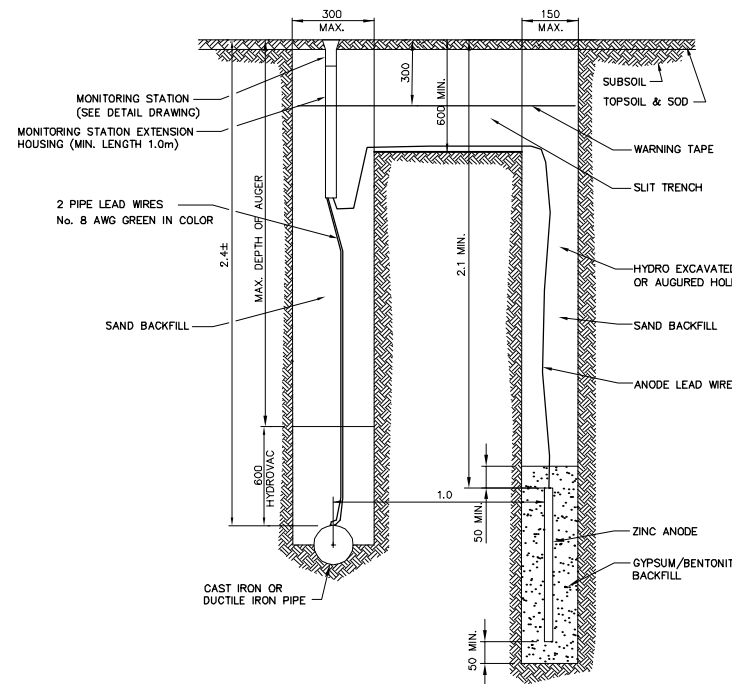


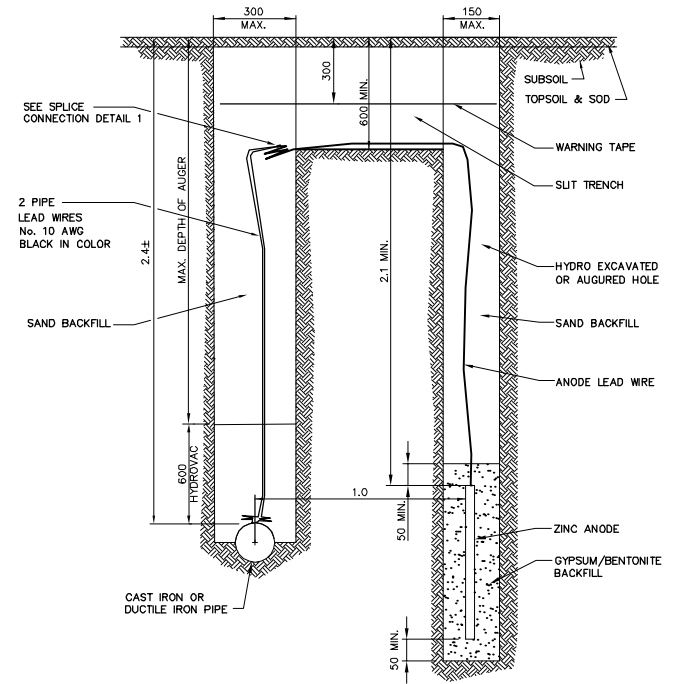
SPLICE CONNECTION DETAIL 1



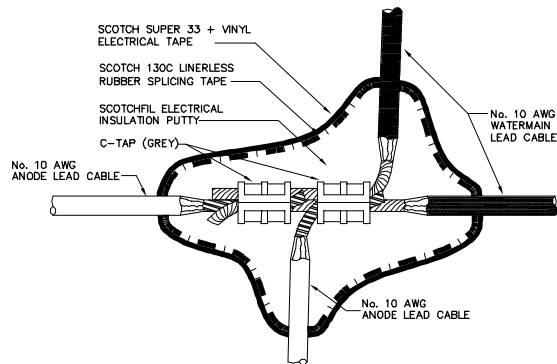
ANODE INSTALLATION AT ANGLE DRILL SITE (SECTION)



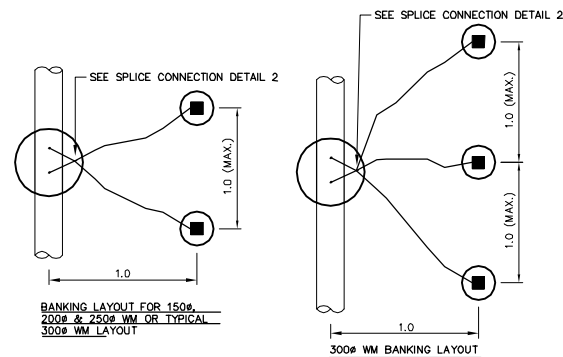
MONITORING STATION INSTALLATION (SECTION)



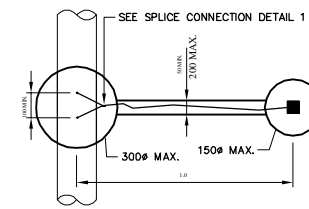
ANODE INSTALLATION (SECTION)



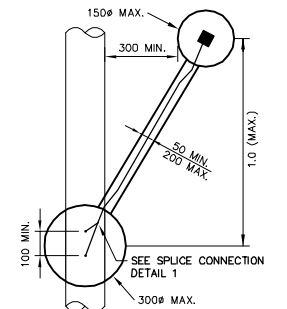
SPLICE CONNECTION DETAIL 2 FOR 150Ø, 200Ø & 250Ø WM OR TYPICAL 300Ø WM BANKING LAYOUT



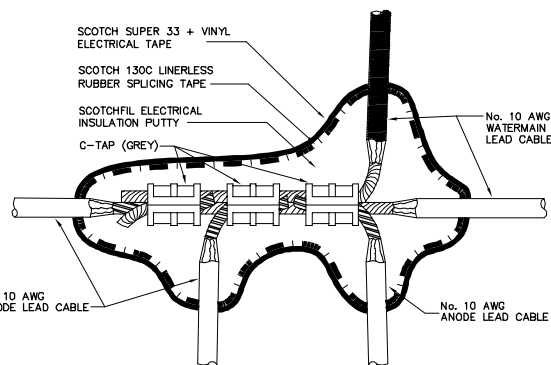
ANODE BANKING LAYOUT & TYPICAL 300Ø WM LAYOUT



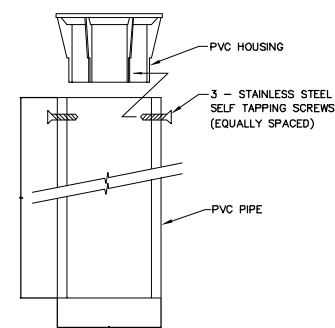
TYPICAL ANODE LAYOUT (150 TO 250Ø WM) (PLAN)



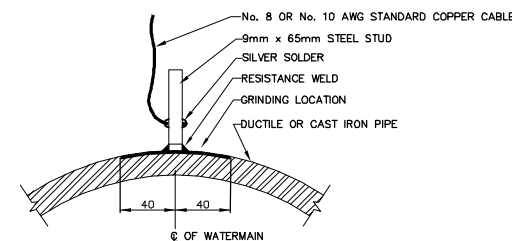
ALTERNATE ANODE LAYOUT (150 TO 250Ø WM) (PLAN)



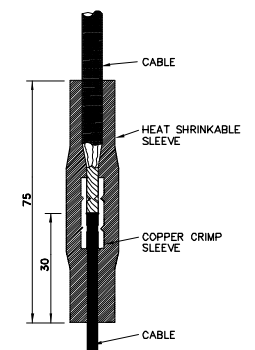
SPLICE CONNECTION DETAIL 3 FOR 300Ø WM BANKING LAYOUT



MONITORING STATION



STUD WELD CONNECTION



TYPICAL CABLE REPAIR SPLICE

B.M. ELEV.	FIELD BOOK #	CITY OF WINNIPEG WATER AND WASTE ENGINEERING DIVISION		ENGINEER'S SEAL	THE CITY OF WINNIPEG WATER AND WASTE DEPARTMENT	INSTALLATION OF CATHODIC PROTECTION MONITORING STATIONS AND ANODES ON WATERMAINS 2008 PROGRAM-AREA AF, AG, AJ - CONTRACT NO. 10	SHEET 13 OF 13 CITY DRAWING NUMBER
POSTED TO LBS		DESIGNED BY TT	CHECKED BY SC	ORIGINAL MYLAR SIGNED BY S.R.J. COURNOYER 08/03/14			
		DRAWN BY DD	APPROVED BY KZ				
		HOR. SCALE N.T.S.	RELEASED FOR CONSTRUCTION				
NO. REVISIONS	DATE	BY	DATE	2008 03 03	TENDER No. 55-2008		
					PLOT DATE: 2008 03 14		

DETAIL SHEET

D-7799