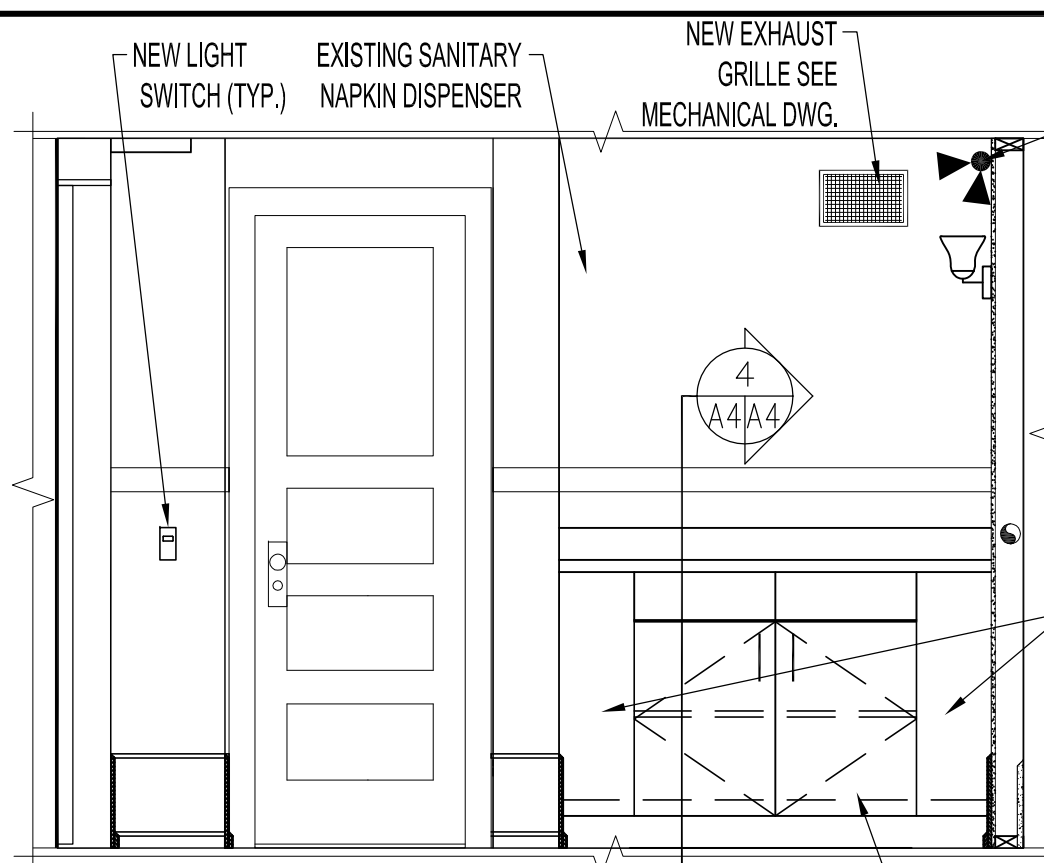
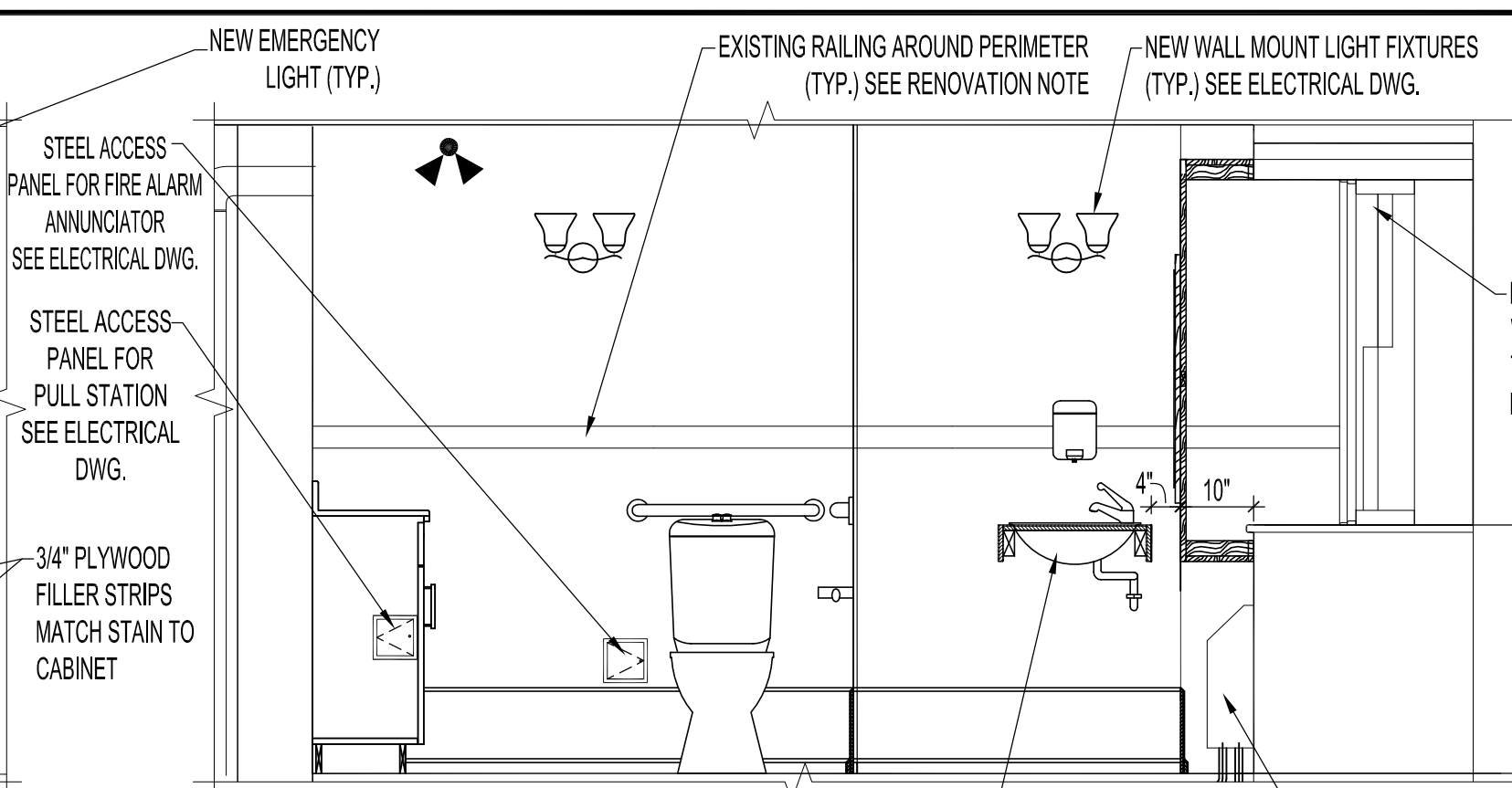


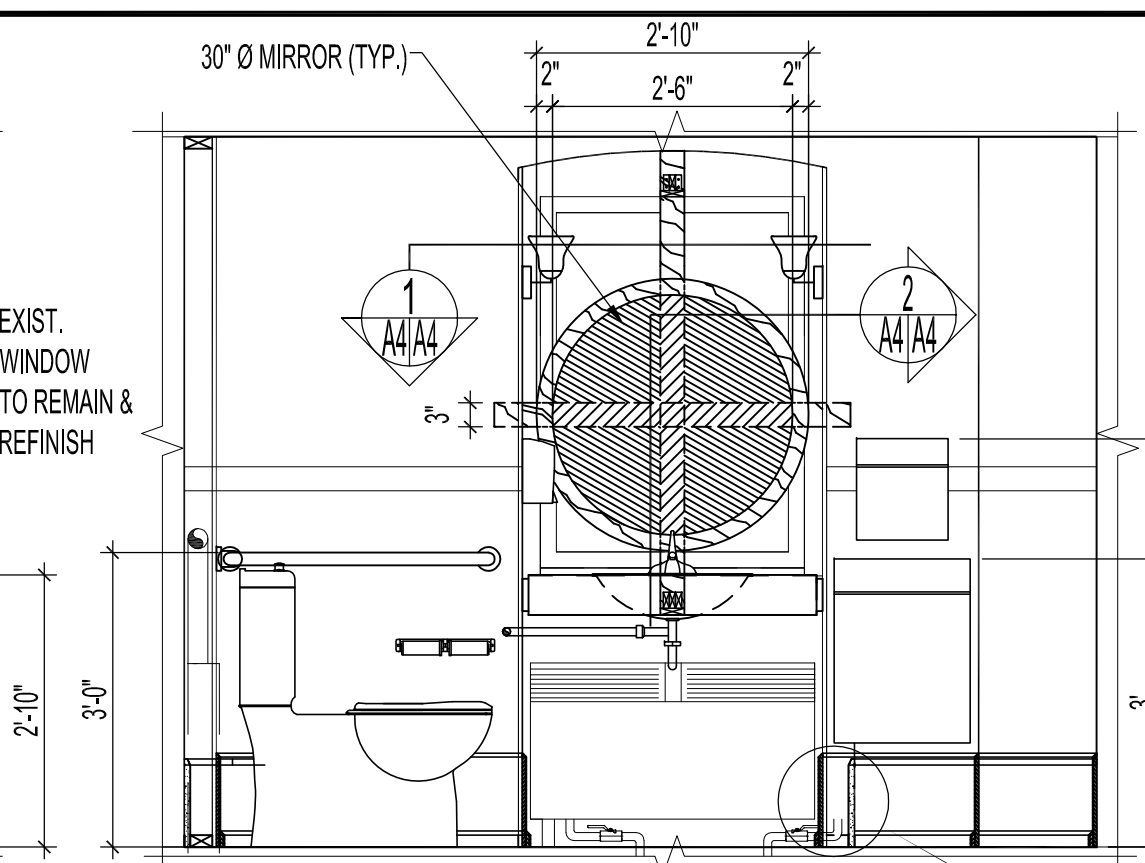
FILE NAME: 20080610.dwg DATE: 2008.07.07 DESCRIPTION: MAIN FLOOR PLAN - ELEVATIONS & DETAIL PROJECT No.: 2008-006 ADDRESS: 380 WILLIAM AVE.



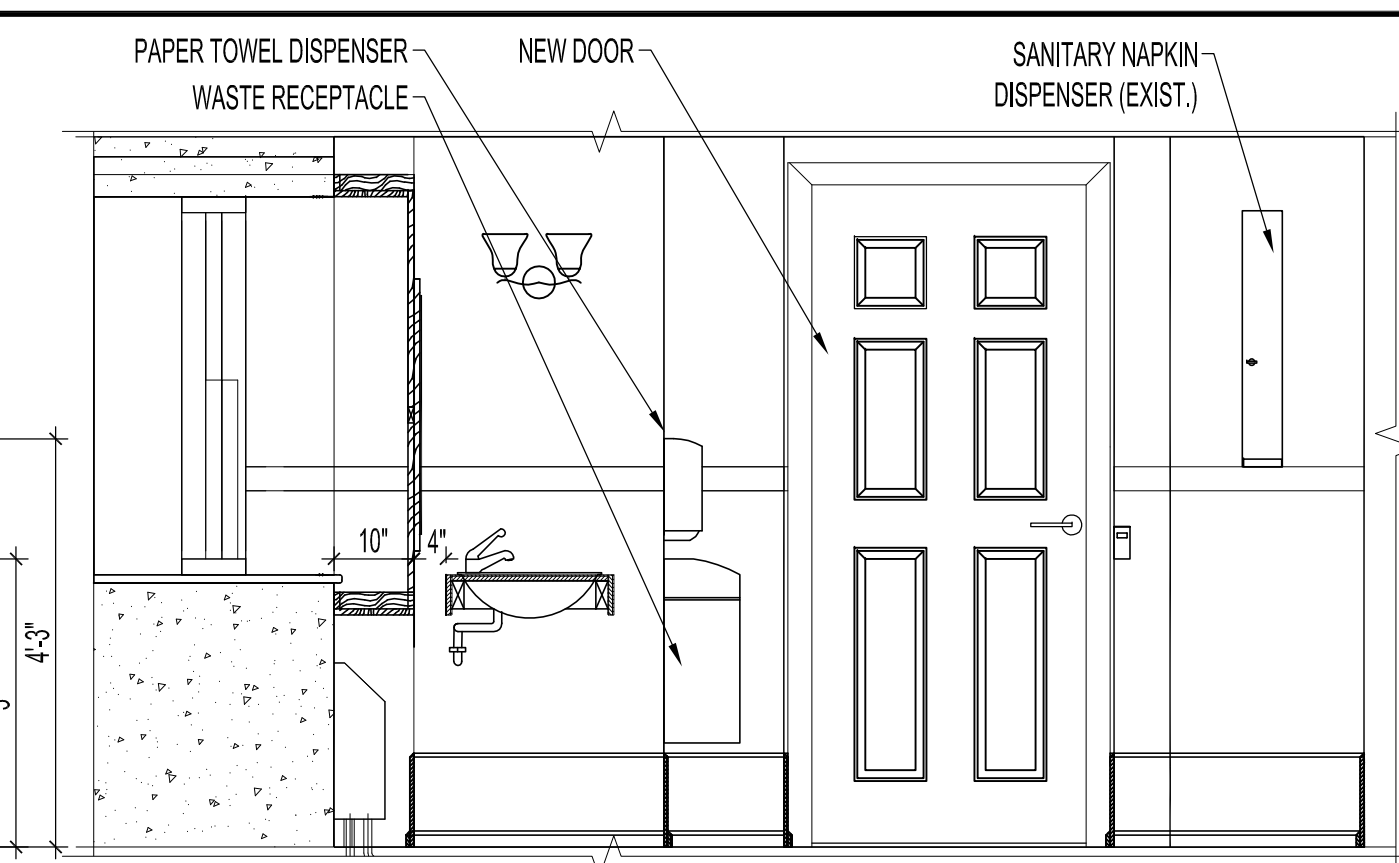
A ELEVATION - WOMEN'S WASHROOM
SCALE: 1/2"=1'-0"



B ELEVATION - WOMEN'S WASHROOM
SCALE: 1/2"=1'-0"

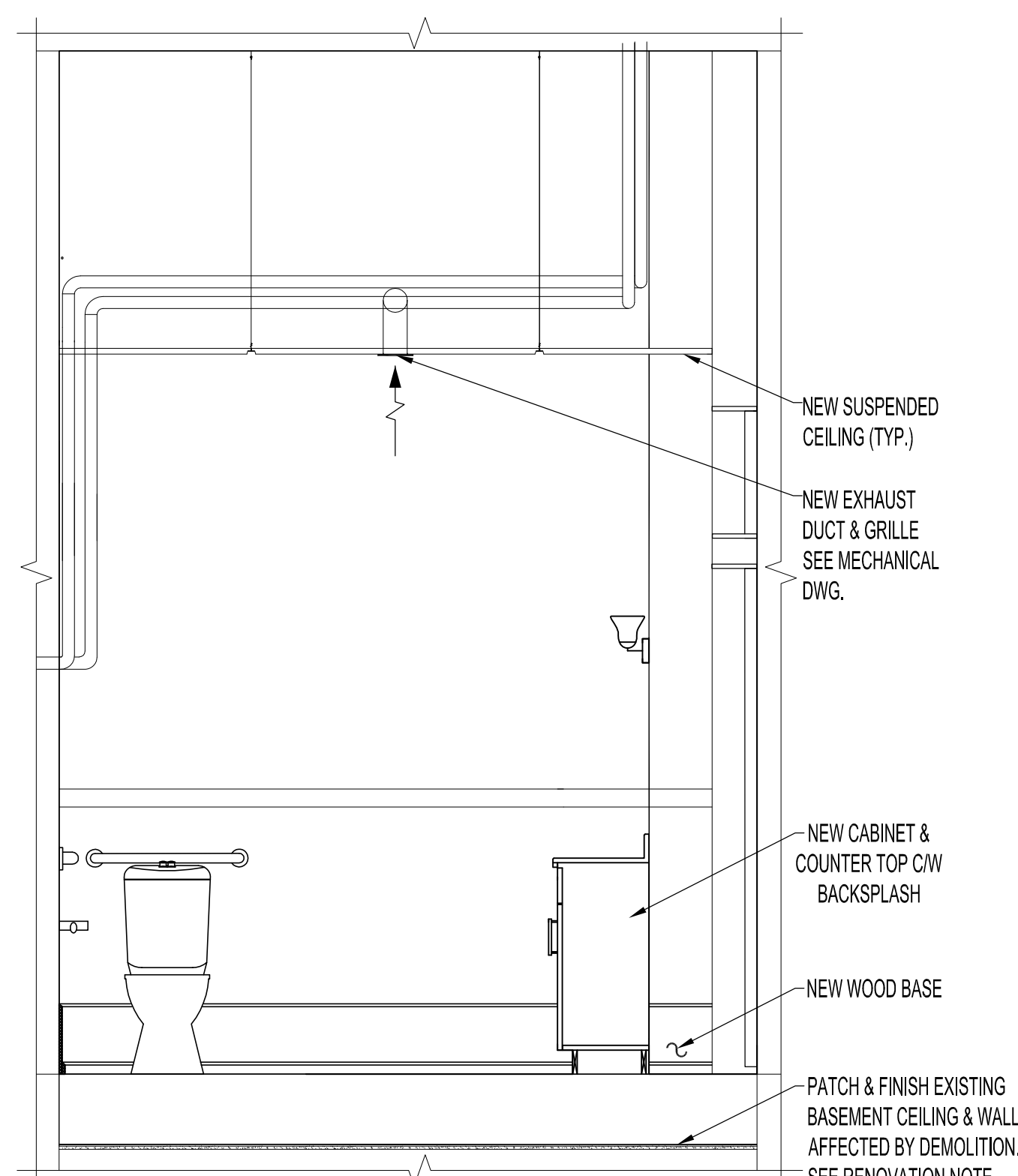


C ELEVATION - WOMEN'S WASHROOM
SCALE: 1/2"=1'-0"

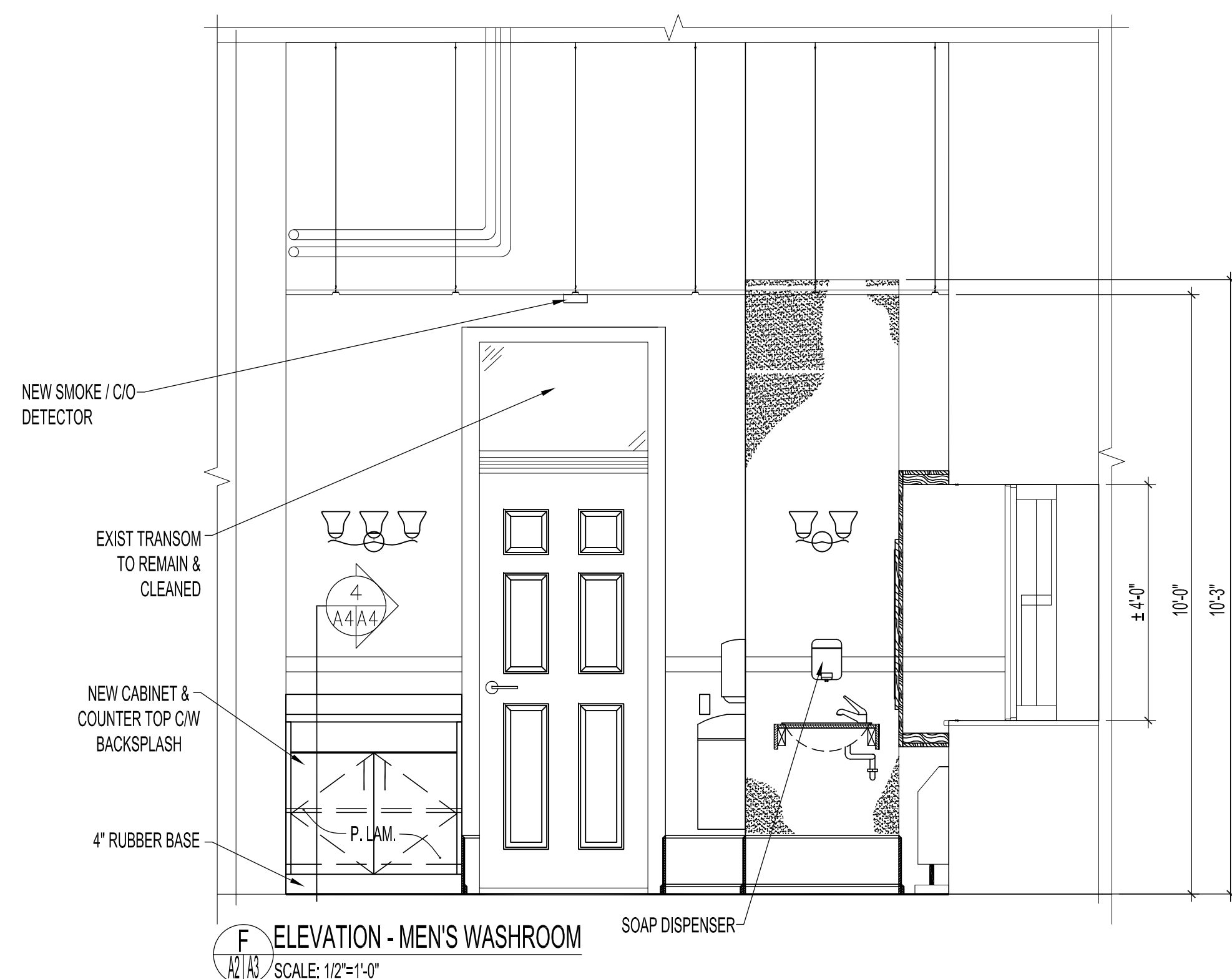


D ELEVATION - WOMEN'S WASHROOM
SCALE: 1/2"=1'-0"

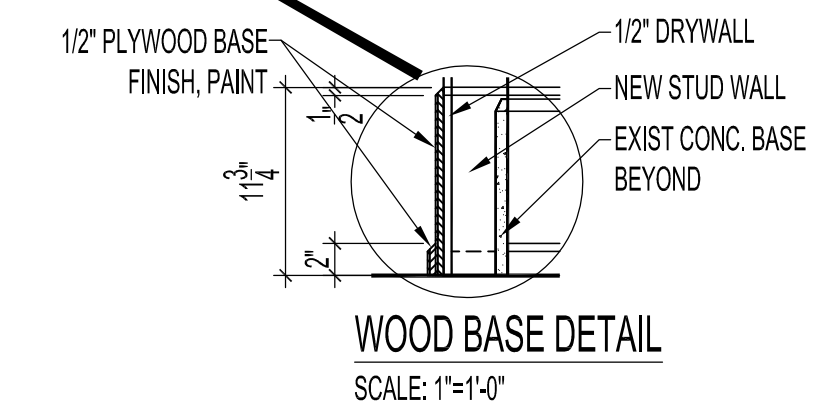
NOTES :
SEE NOTES ON SHEET No. A1



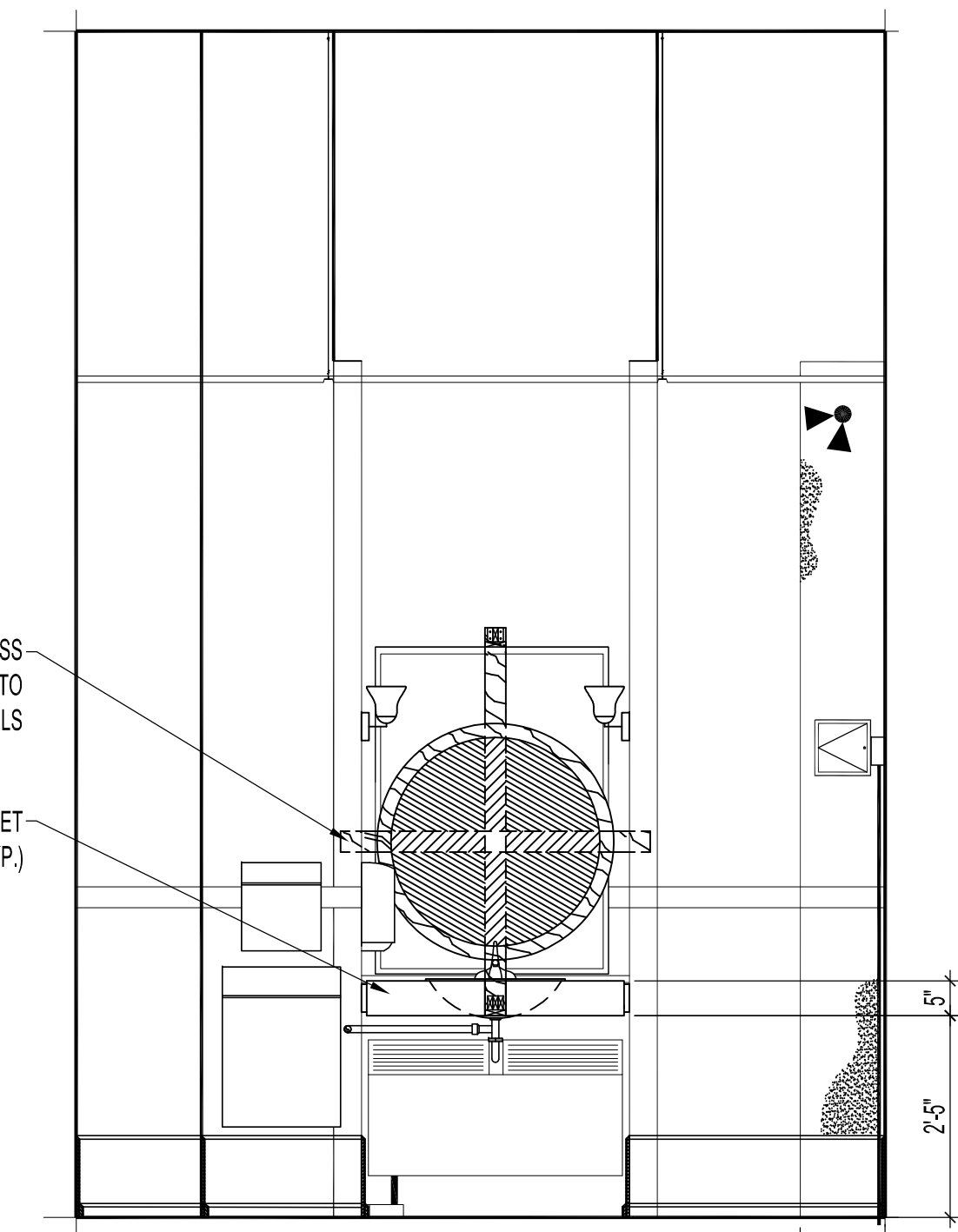
E ELEVATION - MEN'S WASHROOM
SCALE: 1/2"=1'-0"



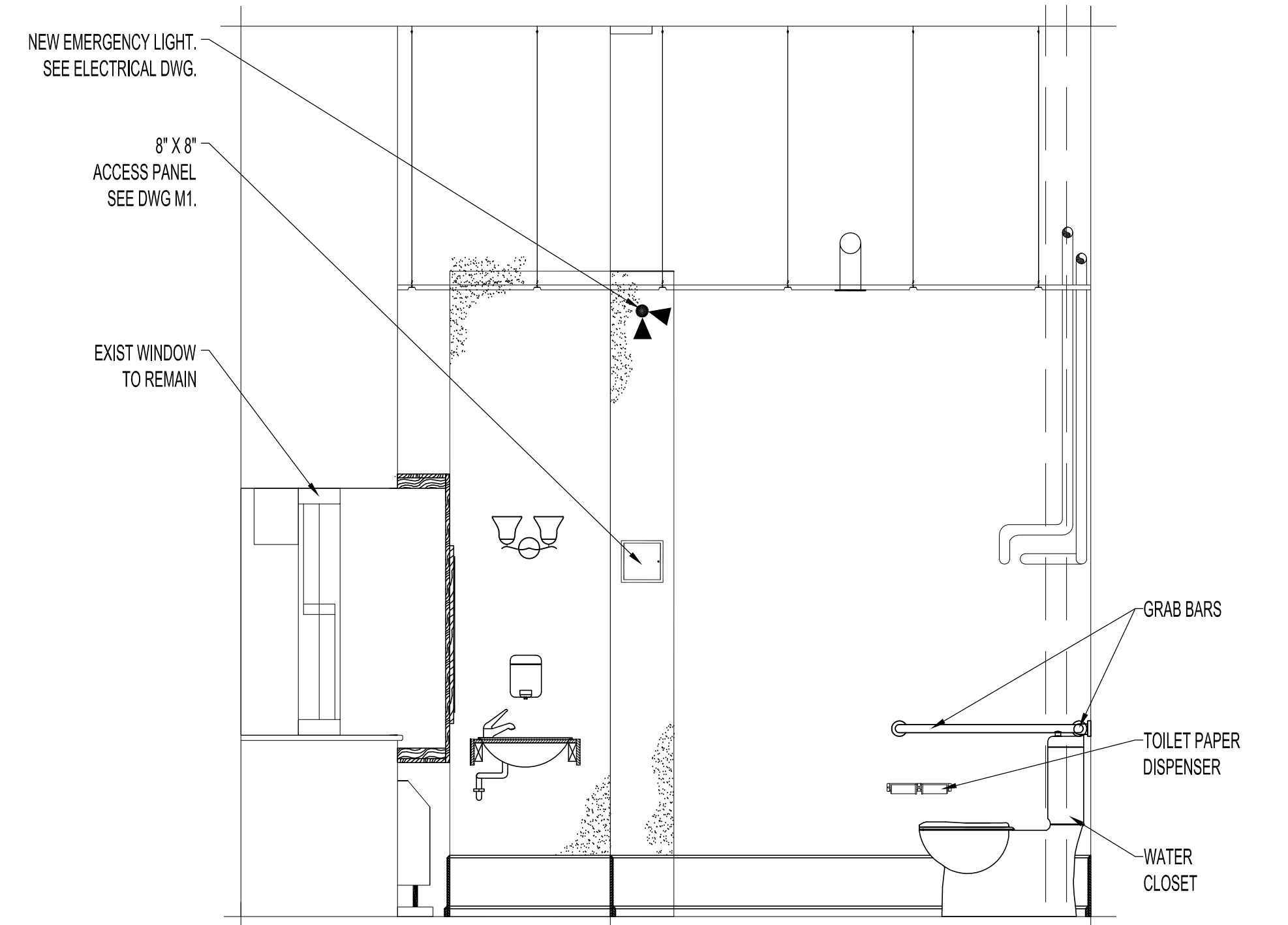
F ELEVATION - MEN'S WASHROOM
SCALE: 1/2"=1'-0"



WOOD BASE DETAIL
SCALE: 1"=1'-0"



G ELEVATION - MEN'S WASHROOM
SCALE: 1/2"=1'-0"



H ELEVATION - MEN'S WASHROOM
SCALE: 1/2"=1'-0"

MILLWORK NOTES & HARDWARE:
ALL CLOSED CABINET INTERIORS TO BE STANDARD OFF WHITE MELAMINE.
ALL EXPOSED CABINET EXTERIORS TO BE PLASTIC LAMINATE FINISH, SEE BELOW UNLESS NOTED OTHERWISE.

COUNTER TOP:
WILSON ART # 4799-07, GALACTIC BLACK. PROVIDE SHOP DRAWINGS OF COUNTER SUPPORTS.

CABINET:
NEVAMAR, # ALR003T, RED HOT ALLUSION ON ALL EXPOSED EXTERIOR SURFACES.

CABINET PULLS: 6" HAFELE 117.31.632

DRAWER SLIDES: ACCURIDE 3017

HINGES: BLUM CLIP 170" SELF CLOSING, NICKEL FINISH

RECESSED SHELF SUPPORTS: K&V 80 & 180 STANDARDS & BRACKETS-CHROME FINISH

WOOD STAIN:
2 COATS URETHANE LIGHT CHERRY STAIN (SUBMIT SAMPLE)

ACCESS PANEL:
8" X 8", FINISH SHALL BE PRIME COAT AND PAINT TO MATCH WALLS.
6" X 6", FINISH SHALL BE PRIME COAT AND PAINT TO MATCH WALLS.
CONTRACTOR TO PROVIDE SHOP DRAWINGS OF ACCESS PANELS & FRAMING.

ORIGINAL STAMPED BY: R.K.FOK LI Arch.
DATE: 2008.07.07

NO.	REVISION/DESCRIPTION	BY	DATE
SEALS			

DRAWN BY	RCP	CHECKED BY	APPROVED
DATE	2008.07.07	USER APPROVAL	

CITY OF WINNIPEG
PLANNING, PROPERTY AND
DEVELOPMENT DEPARTMENT
CIVIC ACCOMMODATIONS DIVISION
300 - 65 GARRY ST. R3C 4K4

PROJECT
ARCHIVES BUILDING
BARRIER - FREE UPGRADE TO PUBLIC WASHROOMS

380 WILLIAM AVE.
SHEET TITLE

MAIN FLOOR WASHROOMS
ELEVATIONS & DETAIL

SCALE	PROJECT NO.	SHEET NO.
AS SHOWN	2008-006	A3

DRAWING SHEET SIZE: A1 (841mm x 594mm) PLOT 1:1