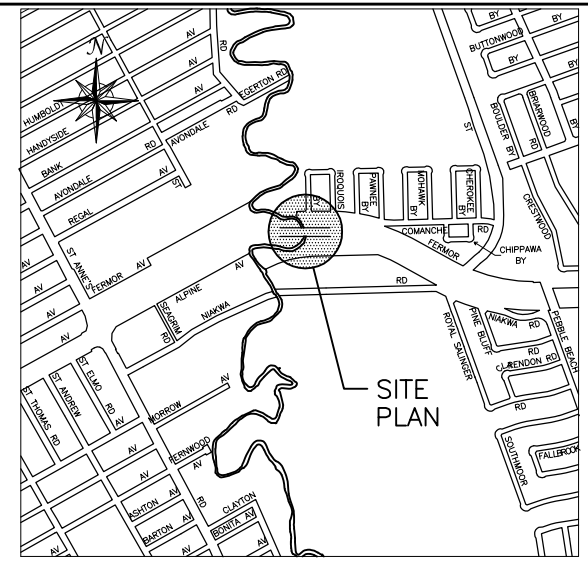


PARTIAL DECK LAYOUT
N.T.S.



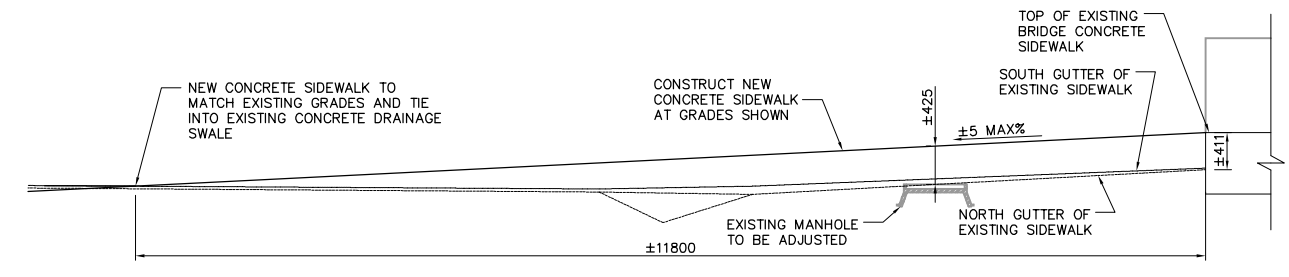
LOCATION PLAN

SCOPE OF WORK:

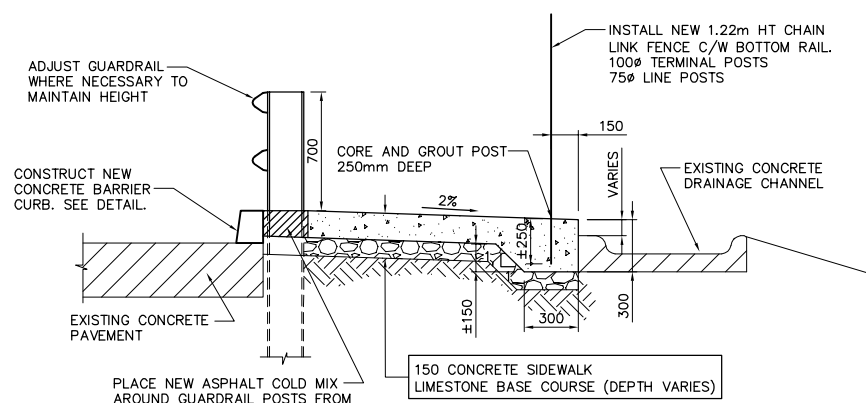
1. REMOVE EXISTING CURB AND FILL MATERIAL NOTED ON PARTIAL DECK LAYOUT.
2. REMOVE EXISTING CONCRETE FILLER BETWEEN GUARDRAIL POSTS. PRIOR TO PLACING ASPHALT, AREA MUST BE CLEAN AND FREE OF ALL DEBRIS/LATENT MATERIAL.
3. AFTER SIDEWALK AND CURB INSTALLATION, PLACE ASPHALT AS NOTED ON PARTIAL DECK LAYOUT.
4. INSTALL NEW BARRIER CURB, TRANSITION CURB, AND SAFETY CURB. SEE SAFETY CURB TRANSITION DETAIL.
5. MODIFY CHANNEL CURB, LIMITS AS DIRECTED BY THE CONTRACT ADMINISTRATOR.
6. INSTALL NEW SIDEWALK. SEE PARTIAL DECK LAYOUT FOR LIMITS.
7. ESTIMATED QUANTITY OF GRANULAR BASE COURSE MATERIAL IS APPROXIMATELY 16m³
8. EMSEAL TO BE A DSM SYSTEM INSTALLED IN ACCORDANCE WITH MANUFACTURERS INSTRUCTIONS.

GENERAL NOTES:

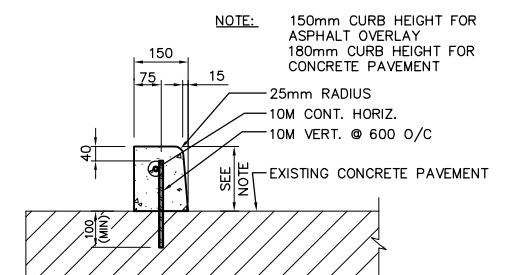
1. ALL DIMENSIONS TO BE VERIFIED BY CONTRACTOR ON SITE.
2. CONTRACTOR TO CONTACT CONTRACT ADMINISTRATOR IMMEDIATELY IF THERE ARE ANY DISCREPANCIES.
3. DO NOT DISPOSE OF ANY MATERIAL WITHIN THE RIVER OR IN ANY OTHER SUBMERGED PORTION OF THE RIVER.
4. HOLES FOR DOWELS SHALL BE DRILLED 2mm LARGER THAN THE DIAMETER OF THE REINFORCING.
5. EPOXY GROUT SHALL BE USED FOR DOWEL EMBEDMENT AS PER CITY OF WINNIPEG STANDARD SPECIFICATIONS.



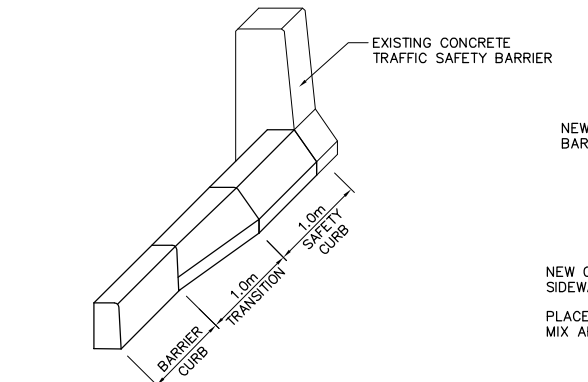
PARTIAL SIDEWALK PROFILE
N.T.S.



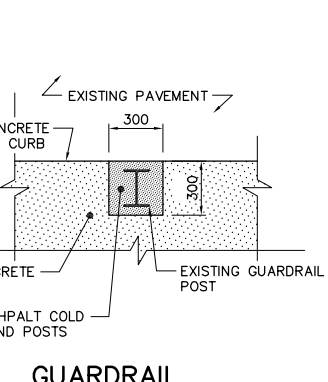
SECTION B
SCALE 1:20



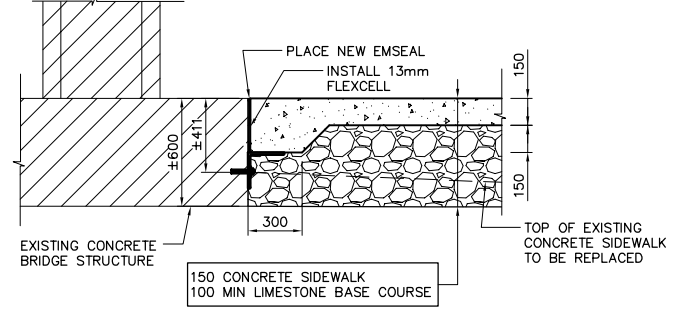
BARRIER CURB DETAIL
N.T.S.



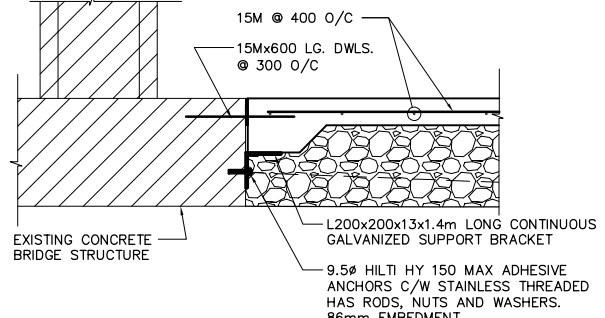
SAFETY TO BARRIER CURB TRANSITION
SCALE 1:20



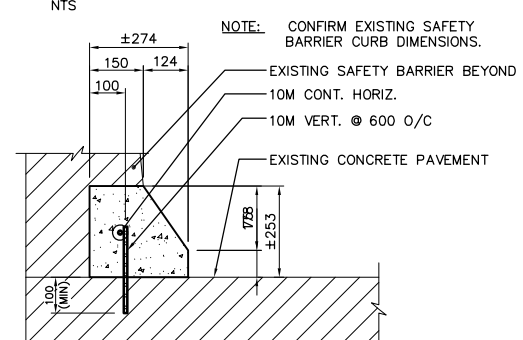
GUARDRAIL POST DETAIL
1:20



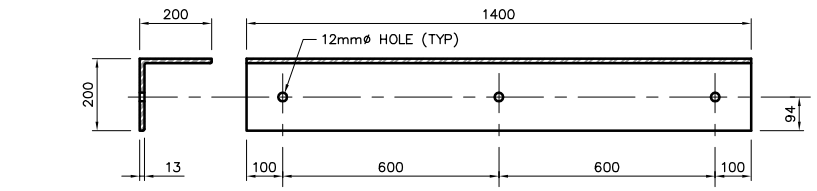
SIDEWALK CONCRETE DETAIL



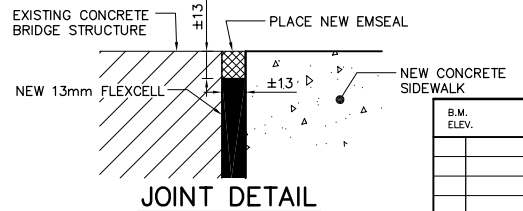
SIDEWALK REINFORCING DETAIL



SAFETY CURB DETAIL
N.T.S.



GALVANIZED SUPPORT BRACKET DETAIL
SCALE 1:10



JOINT DETAIL

SECTION A
1:20

B.M. ELEV.	DESIGNED BY DDW		
	DRAWN BY DDW		
	CHECKED BY JSB		
	APPROVED BY		
	HOR. SCALE AS NOTED	RELEASED FOR CONSTRUCTION	CONSULTANT PROJECT NO. 089072
	VERTICAL AS NOTED	ORIGINAL SIGNED BY B.A. NEIRNCK	
0 ISSUED FOR TENDER 07/31/08 JSB			
NO. REVISIONS	DATE BY DATE	JULY 2008	JULY 31, 2008

THE CITY OF WINNIPEG PUBLIC WORKS DEPARTMENT

2008 BRIDGE MAINTENANCE
FERMOR STREET BRIDGE
AT SEINE RIVER

CITY DRAWING NUMBER
B118-08-01
SHEET 5 OF 7

BID OPPORTUNITY
571-2008

40DILLON ACAD. FILE: G:\CAD\089072\Cont\A\Seine River\Fermor ST BRIDGE @ SEINE RIVER.dwg 6/18/2008