

NORTHEAST ABUTMENT

NOTE: ESTIMATED QUANTITY FOR ABUTMENT BEARING SEAT CONCRETE REPAIRS IS APPROXIMATELY 25% OF THE DESIGNATED AREA

NORTHWEST ABUTMENT

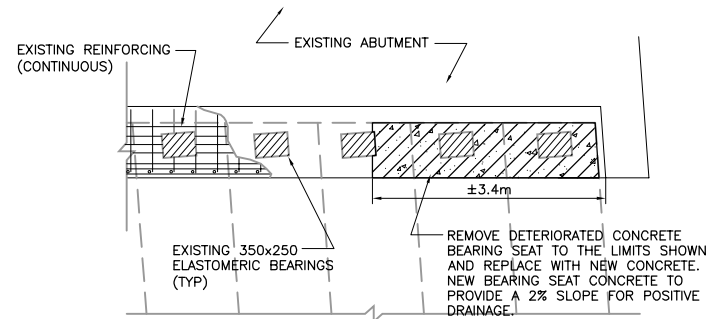
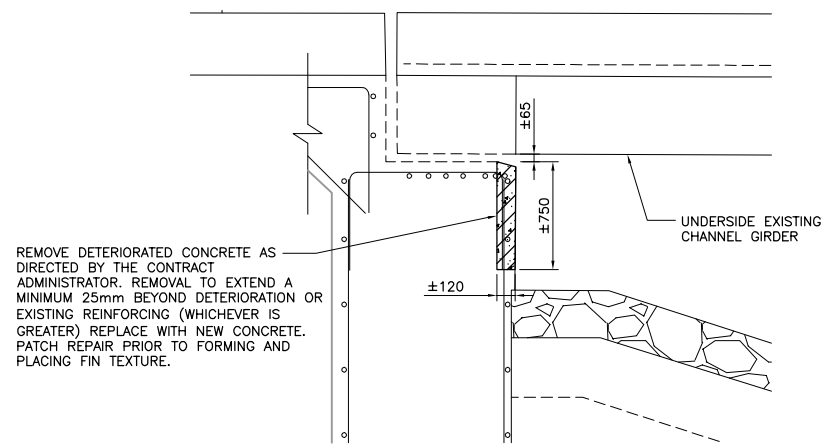
ELEVATION - ABUTMENT BEARING SEAT FACE
SCALE NTS

ABUTMENT REPAIR NOTES:

1. VERTICAL FACE SAWCUT 25mm DEEP BEYOND VALLEYS IN "25mm FRACTURE FIN TEXTURE" AROUND PERIMETER OF REPAIR AREA.
2. REMOVE DETERIORATED CONCRETE IN DESIGNATED AREA MINIMUM 25mm BEYOND REINFORCING GRID OR TO THE DEPTH OF DETERIORATION AS DIRECTED BY THE CONTRACT ADMINISTRATOR.
3. DO NOT EXCAVATE CONCRETE UNDER THE ELASTOMERIC BEARINGS BY MORE THAN 30mm AROUND THE PERIMETER TO ENSURE GIRDER SUPPORT UNLESS OTHERWISE APPROVED BY THE CONTRACT ADMINISTRATOR. SHOULD FURTHER REMOVAL BE REQUIRED, THEY SHALL BE ASSOCIATED WITH TEMPORARY GIRDER SUPPORT AS EXTRA WORK.
4. THE RESULTING CONCRETE AND STEEL SURFACES SHALL BE THOROUGHLY CLEANED BY GRIT BLASTING. ALL GRIT BLASTING MATERIALS TO BE COLLECTED AND REMOVED OFF SITE FOR DISPOSAL.
5. VERTICAL FACE FORMING FOR NEW VERTICAL FACE TEXTURE SHALL INCLUDE FORMLINER TO CLOSELY MATCH EXISTING SURFACE TEXTURE. EXISTING TEXTURE RESULTED FROM SYMONS CORPORATION FORMLINER 1" FRACTURED FIN P/C30492-6
6. CONCRETE AND CURING IN ACCORDANCE WITH CITY OF WINNIPEG STANDARDS AND SPECIFICATIONS. CONCRETE FOR ABUTMENT REPAIRS SHALL INCLUDE A MIGRATING CORROSION INHIBITOR ADMIXTURE.
7. REFER TO REFERENCE DRAWINGS B178-80-31 AND B178-80-32 FOR FURTHER DETAIL ON EXISTING ABUTMENT GEOMETRY AND REINFORCING.

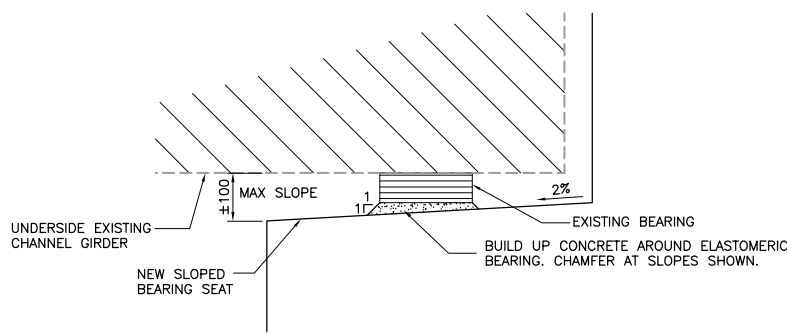
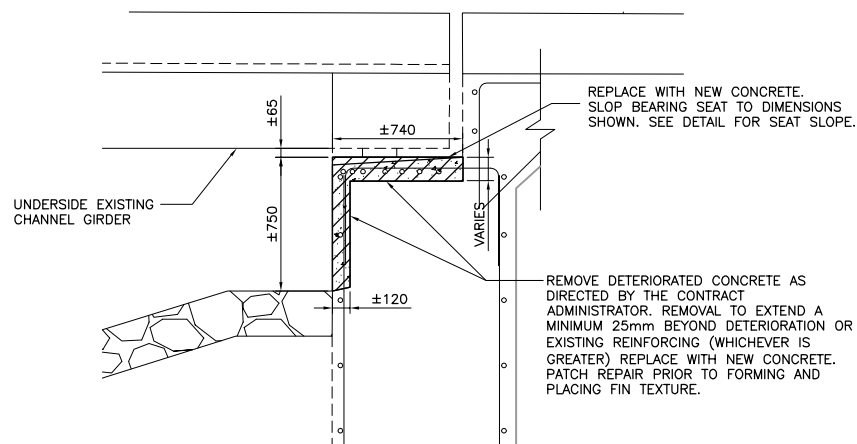
SIDEWALK REPAIR NOTES:

1. REMOVE CONCRETE AND THINSET COATING IN THE DESIGNATED AREA TO A DEPTH OF 24-40mm. STAY ABOVE REINFORCING STEEL WHERE POSSIBLE.
2. CONCRETE SURFACE SHALL BE ROUGHENED TO A 6mm PROFILE.
3. SAWCUT PERIMETER OF REPAIR AREA TO A DEPTH OF 25mm.

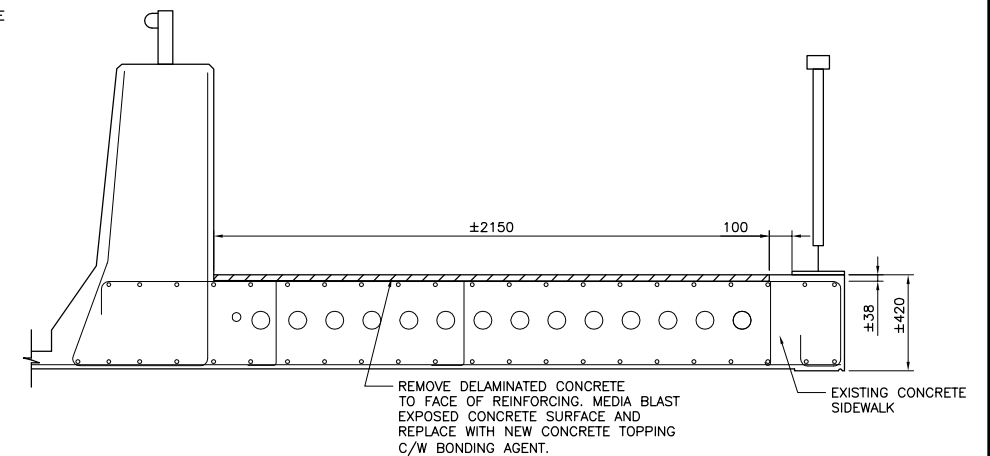


PLAN - NORTHWEST BEARING SEAT REPAIRS
SCALE NTS

NORTHEAST BEARING SEAT REPAIRS (A)
N.T.S.



BEARING SEAT SLOPE DETAIL
N.T.S.



CONCRETE SIDEWALK REPAIR DETAIL
N.T.S.

NORTHWEST BEARING SEAT REPAIRS (B)
N.T.S.

B.M. ELEV.	DESIGNED BY DDW			
	DRAWN BY DDW			
	CHECKED BY JSB			
	APPROVED BY			
	HOR. SCALE AS NOTED	RELEASED FOR CONSTRUCTION	CONSULTANT PROJECT NO. 089072	2008 BRIDGE MAINTENANCE PORTAGE AVENUE BRIDGE AT STURGEON CREEK
0 ISSUED FOR TENDER	07/31/08 JSB	ORIGINAL SIGNED BY B.A. NEIRNCK		
NO. REVISIONS	DATE BY	DATE JULY 31, 2008		SHEET 3 OF 7
				BID OPPORTUNITY 571-2008